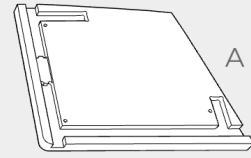
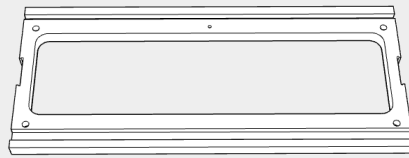
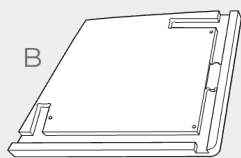
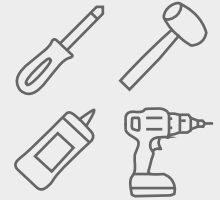
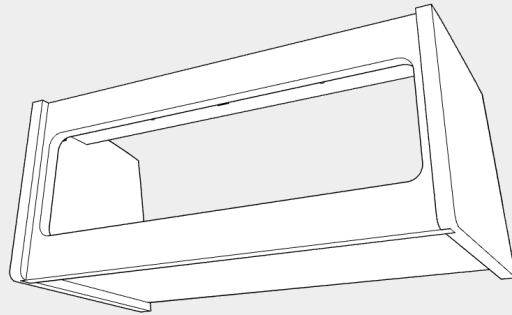
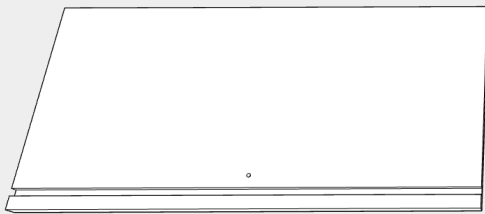


DIY OVERHEAD SINGLE SHELF

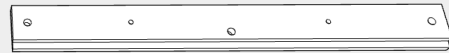
TIMBER



C



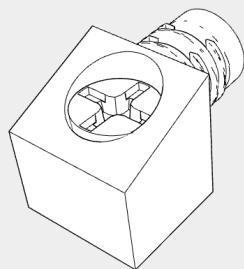
E



F

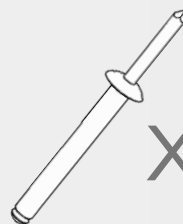


D



x10

HAR085

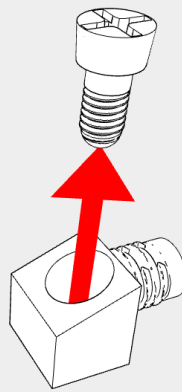


x6

FAS347

1

Remove and set aside the screws from all cab fasteners. These screws will be installed after installation of the cab fasteners.



2

Before assembling:
sand all holes, channels, edges and faces of wood panels to remove imperfections and achieve a smooth finish. This will help the pieces fit together cleanly. The more time spent sanding, the better the end result will be.

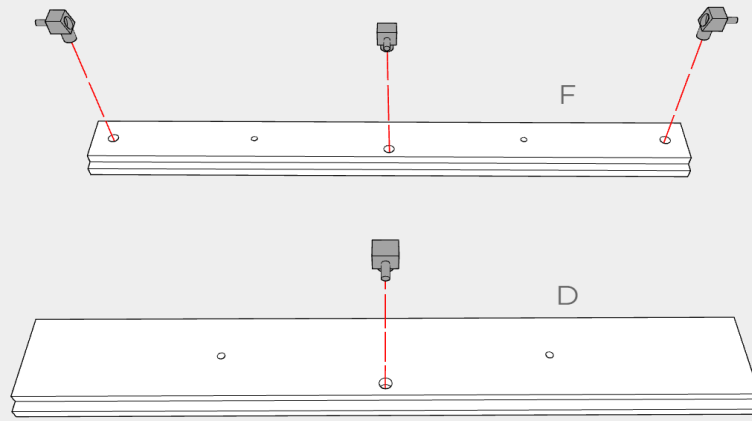
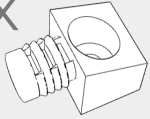


3



4

4X

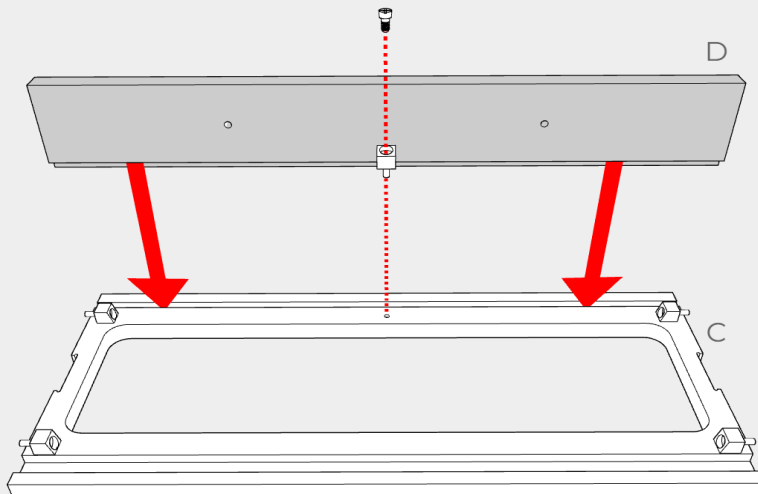


5

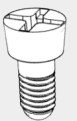
Note: We recommend dry-fitting wood panels before gluing to check the fit. Apply wood glue to channels where wood panels joint just before attaching. Repeat this for all wood joint pieces as you progress through your assembly.



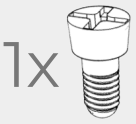
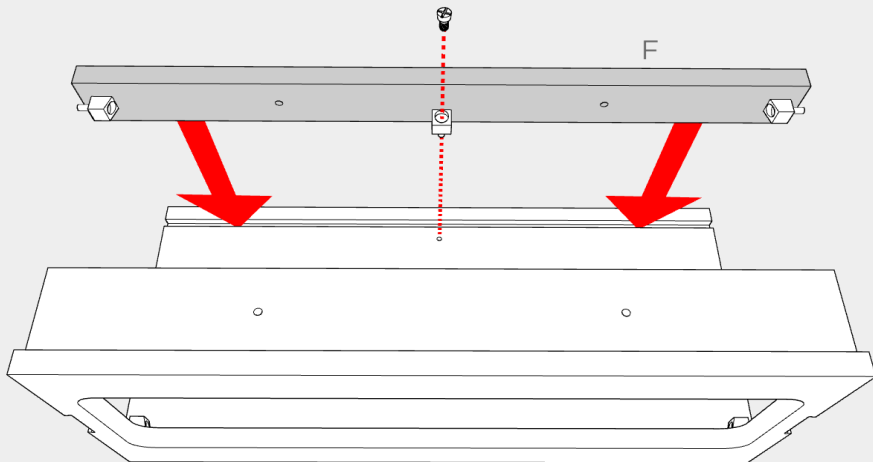
6



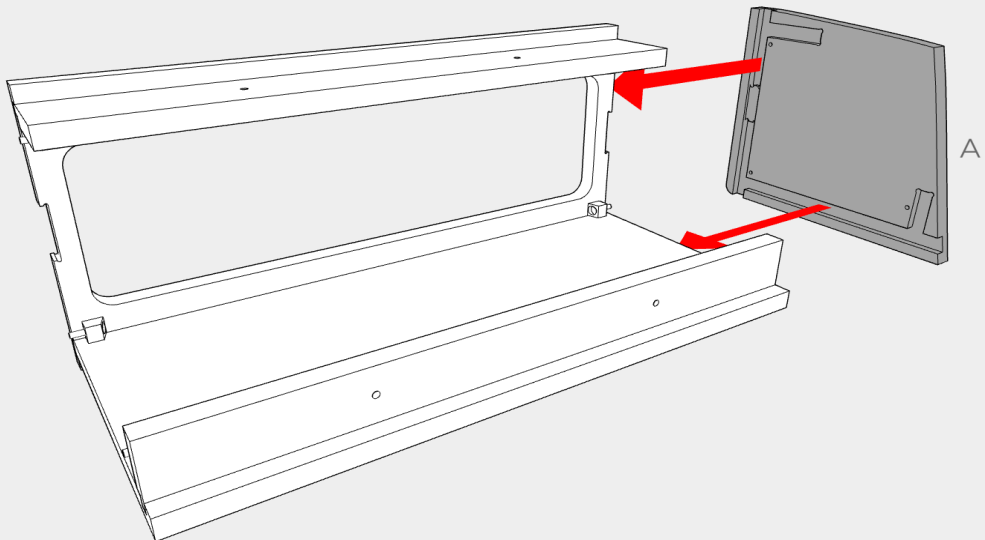
1x



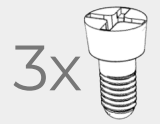
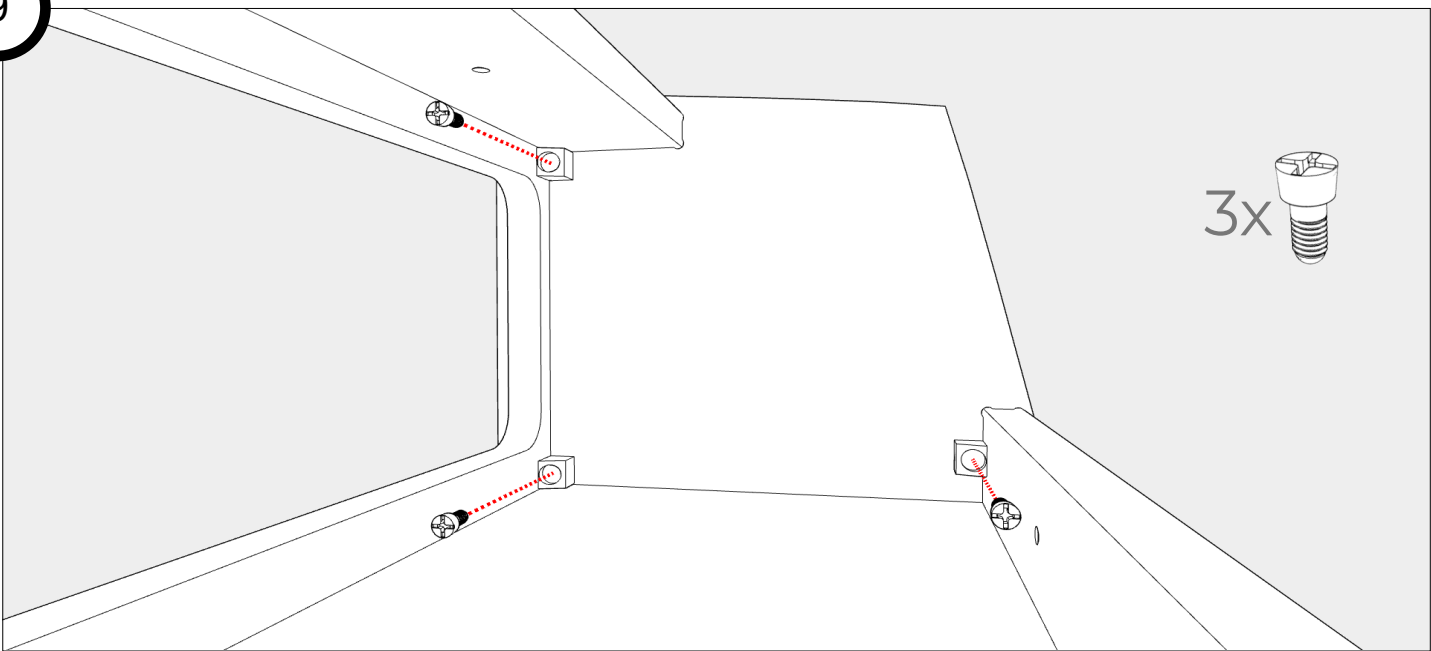
7



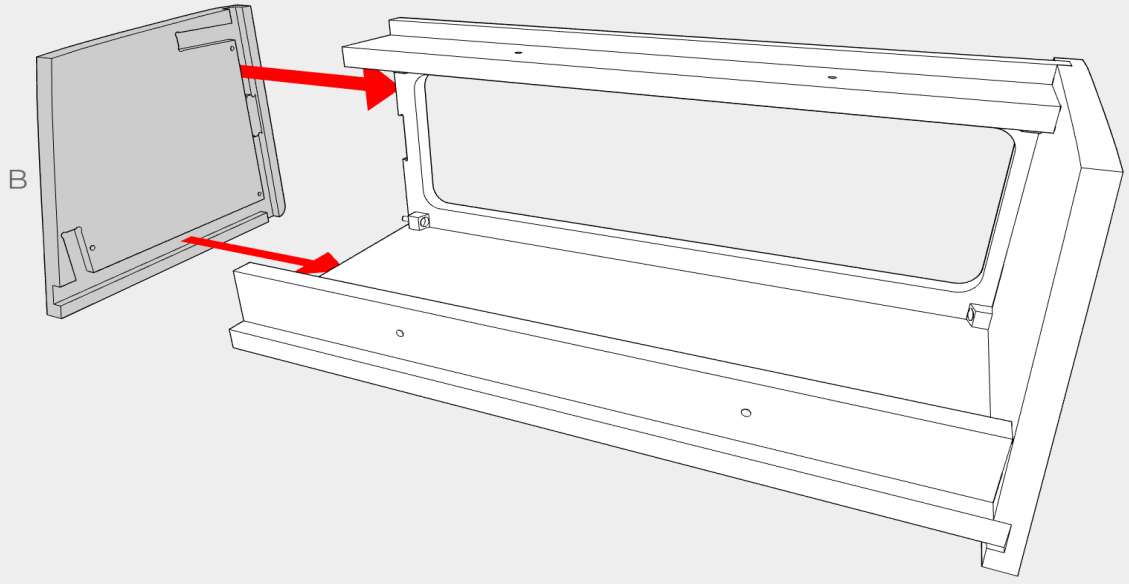
8



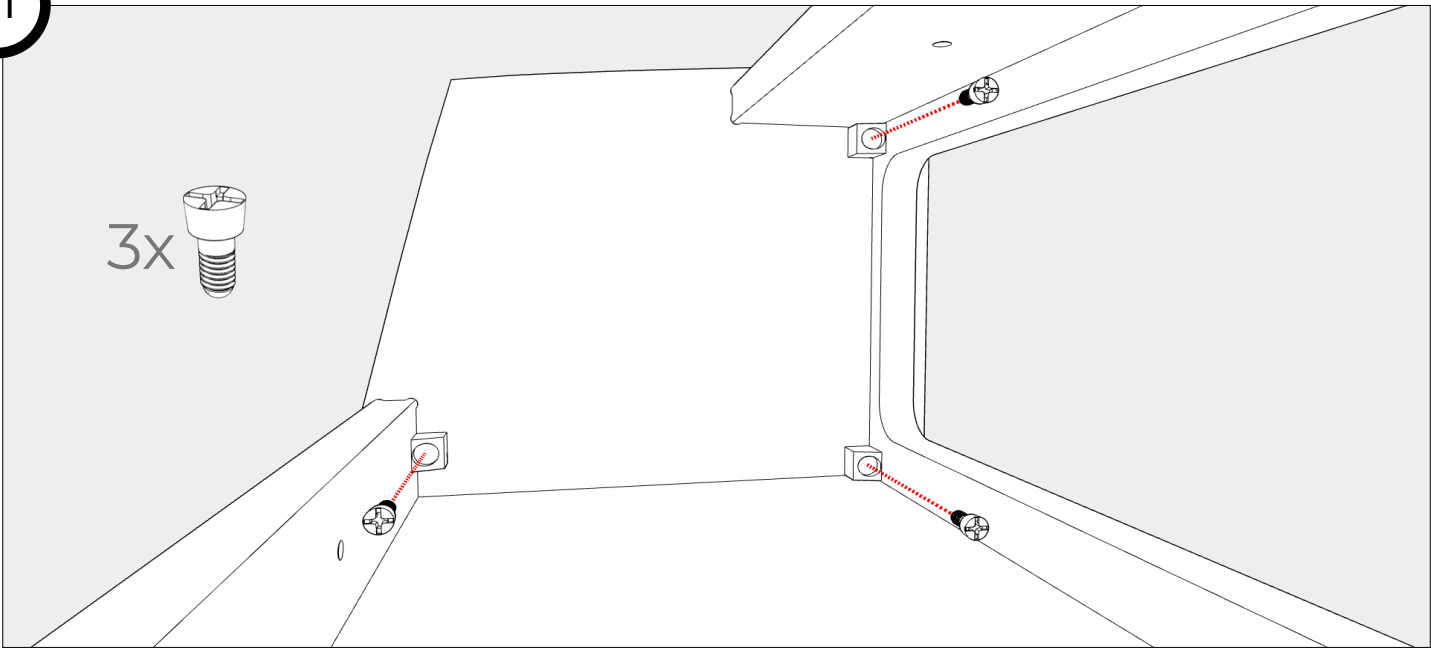
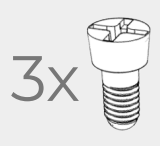
9



10

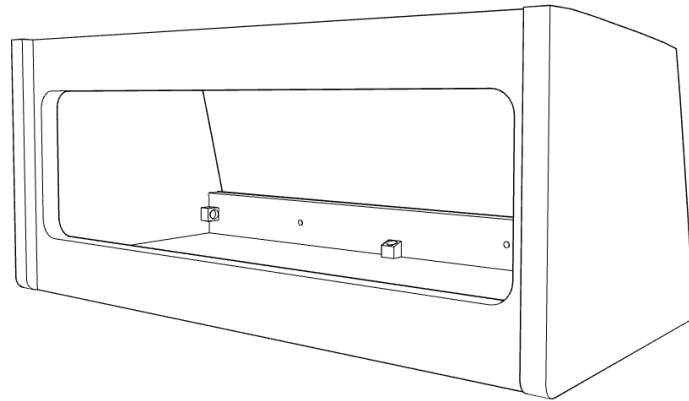


11



TIMBER

Overhead Cabinet Assembly Complete
Congratulations!



We'd love to see your finished wood cabinet in its new home! Share your photos on social media using the hashtag #TimberVanKits, and don't forget to tag us. Your creations inspire us, and we believe they will inspire others too.

Thank you once again for choosing Timber Van Kits. Your dedication and craftsmanship have brought our product to life, and we look forward to being a part of your future adventures!

[TIMBERVANKITS.COM](https://www.timbervankits.com) • 720-282-5075

Have a question or issues with your product? Feel free to call us or send a message via the [contact page](#) on our website. If you call us and we can't get to the phone please leave us a message and we'll get back to you as soon as we can.

 facebook.com/timbervankits

 instagram.com/timbervankits

IMPORTANT SAFETY WARNING

Before proceeding with the installation of your van kits, please read and understand the following safety instructions. Failure to follow these guidelines may result in personal injury, property damage, or other hazards. By installing this kit, you acknowledge and accept all associated risks.

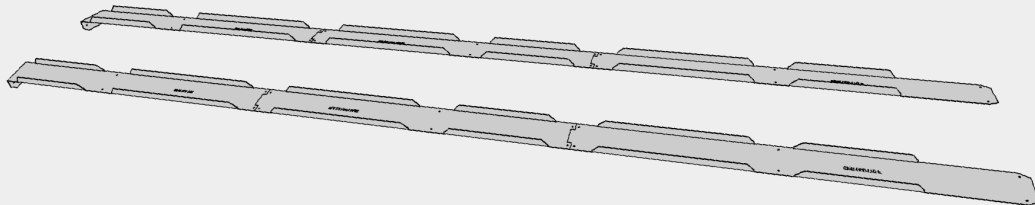
1. This installation is intended to be completed with two people, or with the use of third-arm tools. Before starting the installation, ensure that the van is parked on a level surface.
2. Use the correct tools and equipment as specified in the instruction manual. Failure to use the proper tools may result in damage to the wood or van.
3. Ensure that the installation is properly secured to the van's interior structure. Failure to do so may result in instability and potential falling/tipping hazards while driving.

Disclaimer: This manual provides general guidelines for van installation. However, individual van configurations may vary. It is your responsibility to assess your specific situation and make informed decisions. Timber Van Kits and its affiliates cannot be held liable for any accidents, injuries, or damages resulting from improper installation, misuse, or neglect.

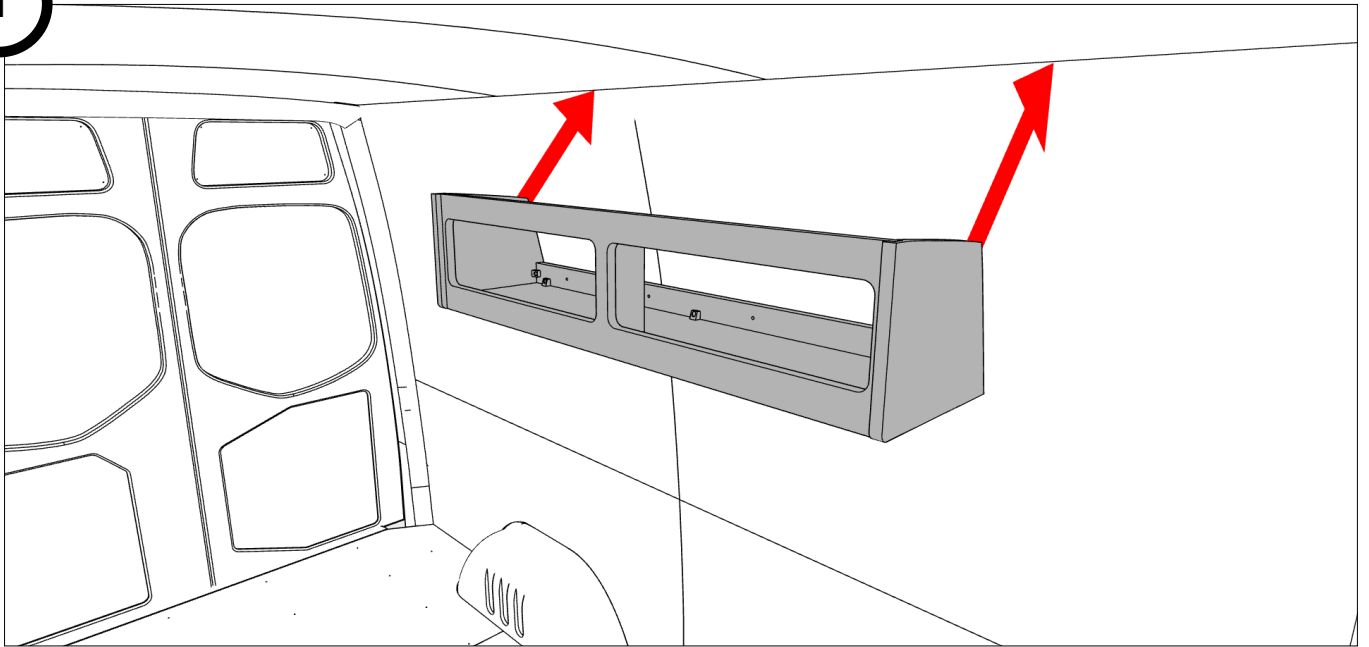
NOTE: Installation is shown here with a double overhead cabinet, but is the same for single and triple overhead cabinets, with the only difference being the number of rivets used.



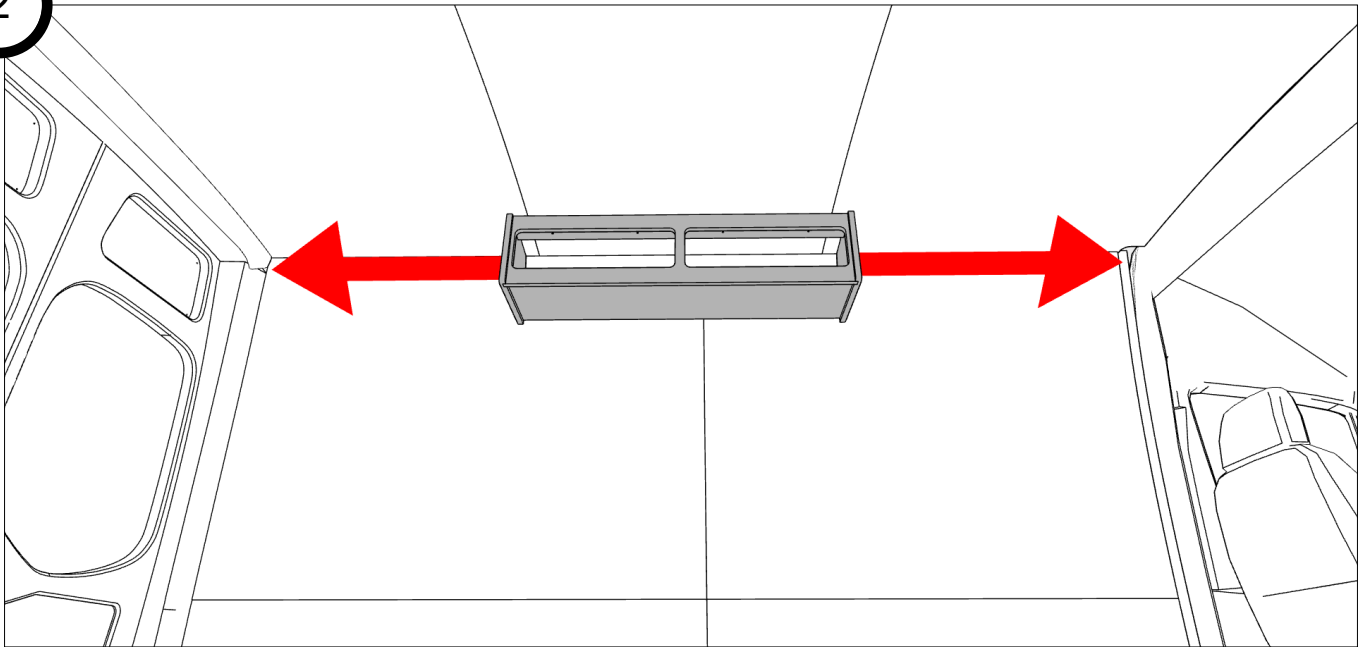
This installation assumes the use of Timber overhead cabinet structural, which allows cabinets to be mounted securely anywhere, along the entire length of the van with ease. If you do not have this structural, we recommend trying to attach to the metal roof crossbeams with your own holes, as panels alone won't support the weight of the cabinet.



1

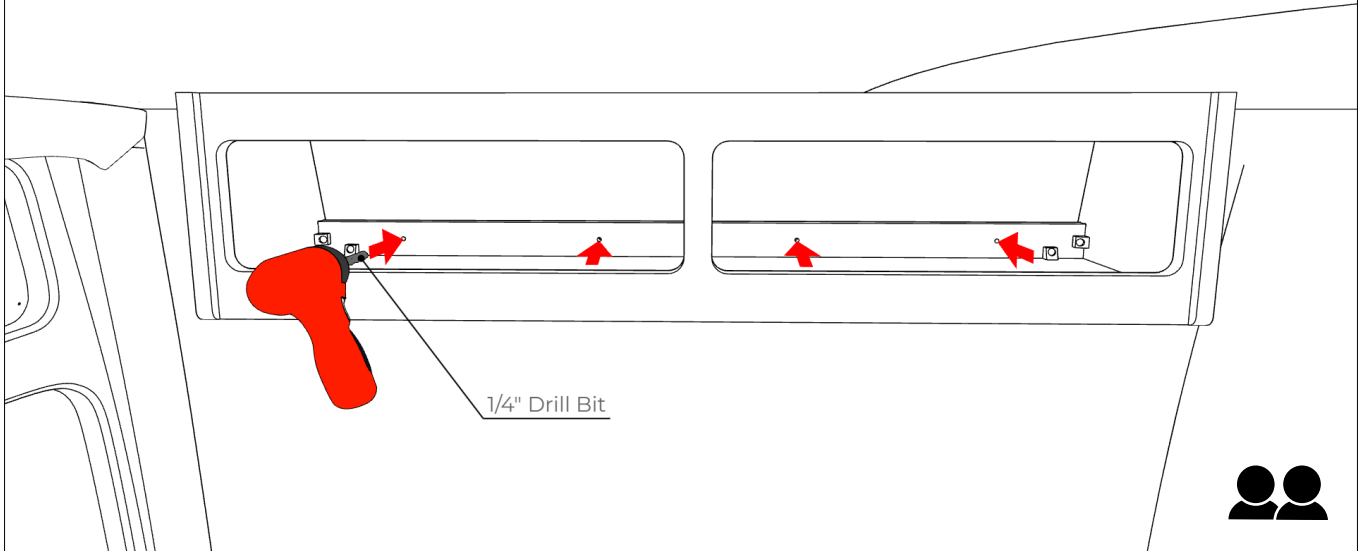


2

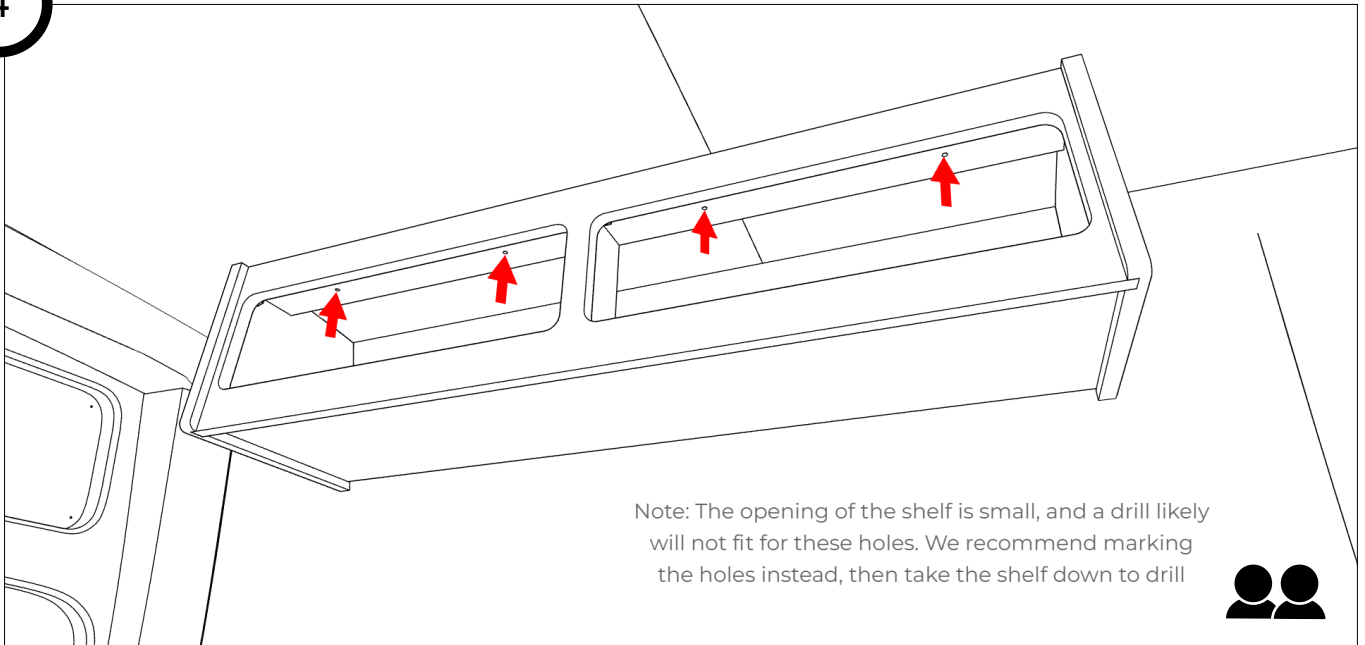


3

Note: These holes may or may not hit van metal



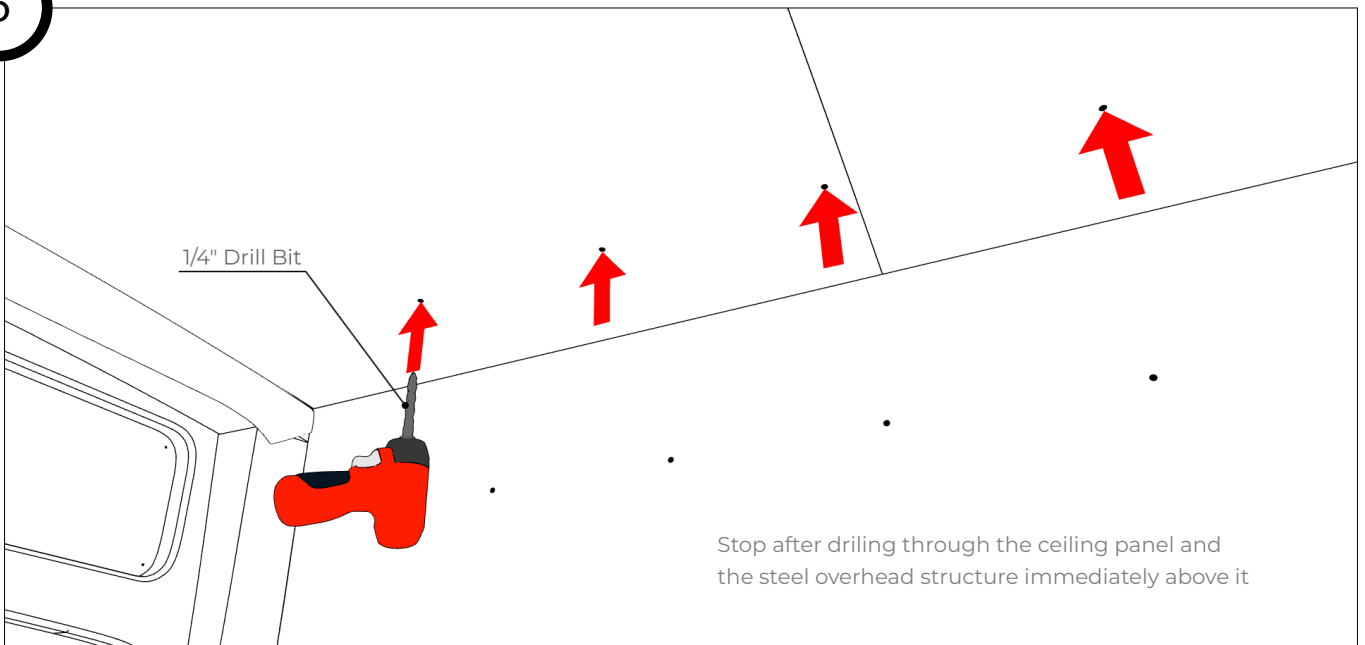
4



Note: The opening of the shelf is small, and a drill likely will not fit for these holes. We recommend marking the holes instead, then take the shelf down to drill

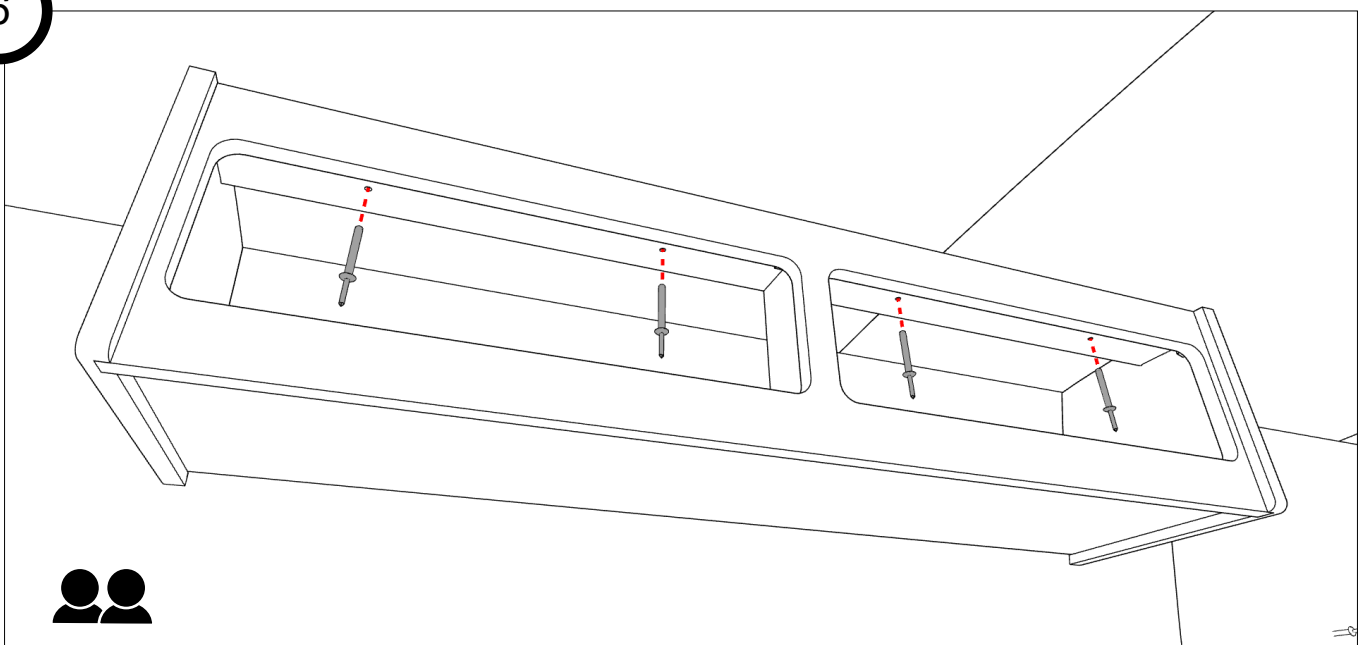


5



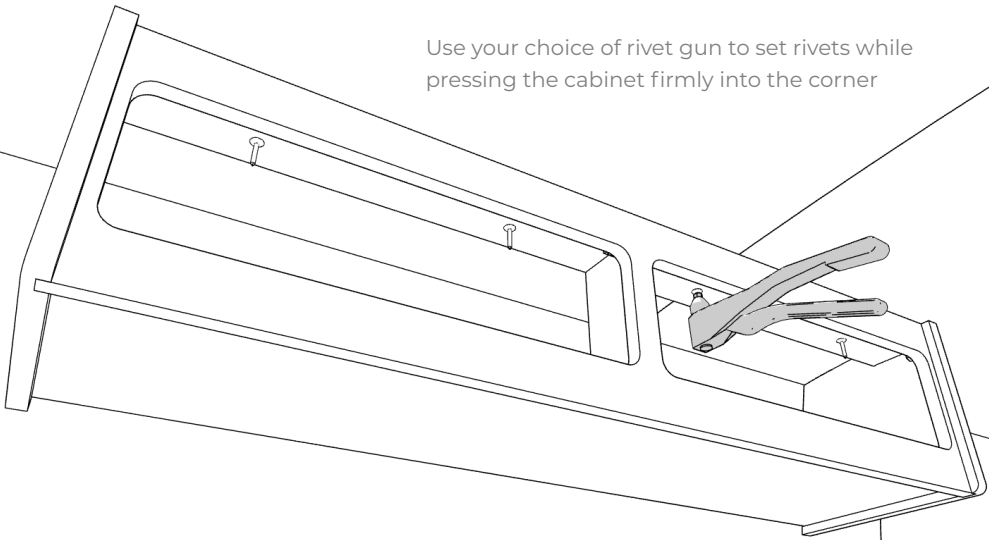
Stop after drilling through the ceiling panel and the steel overhead structure immediately above it

6

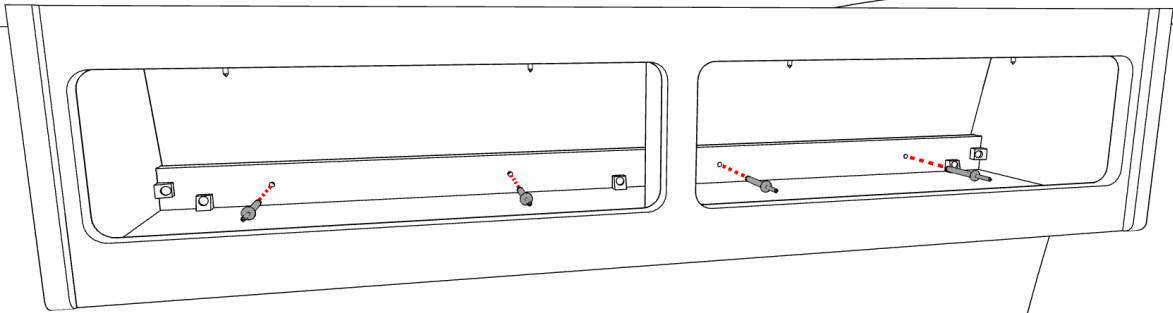


7

Use your choice of rivet gun to set rivets while pressing the cabinet firmly into the corner



8



9

