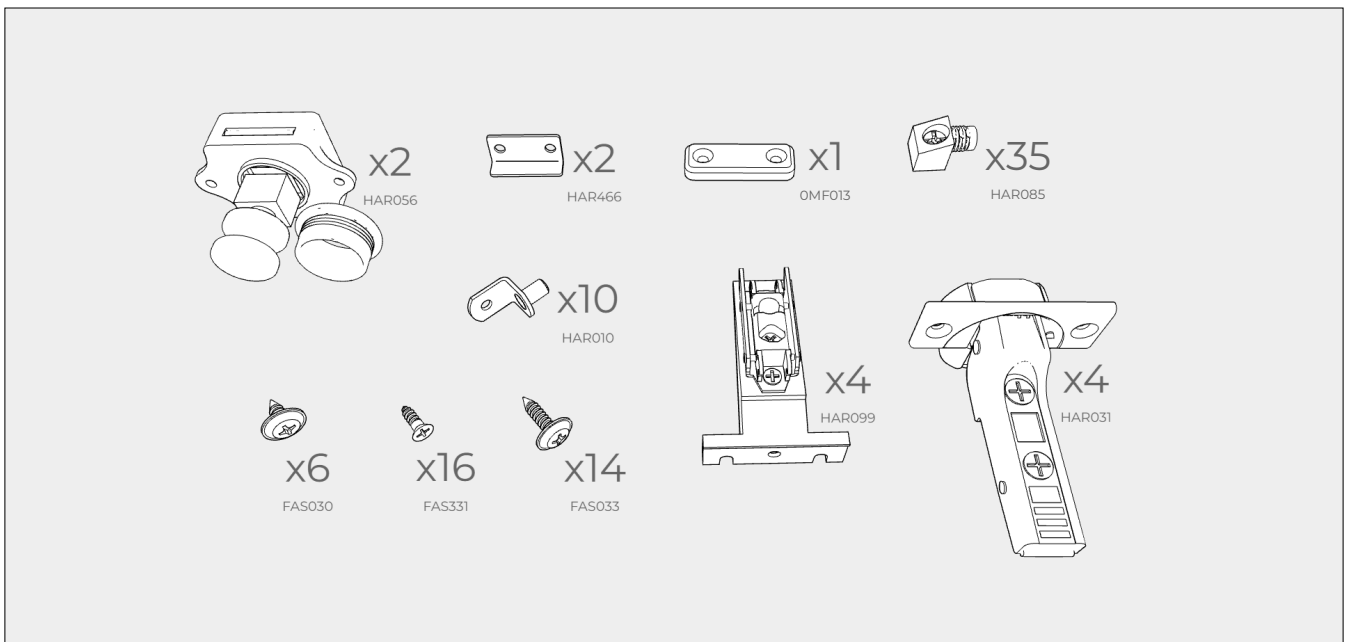
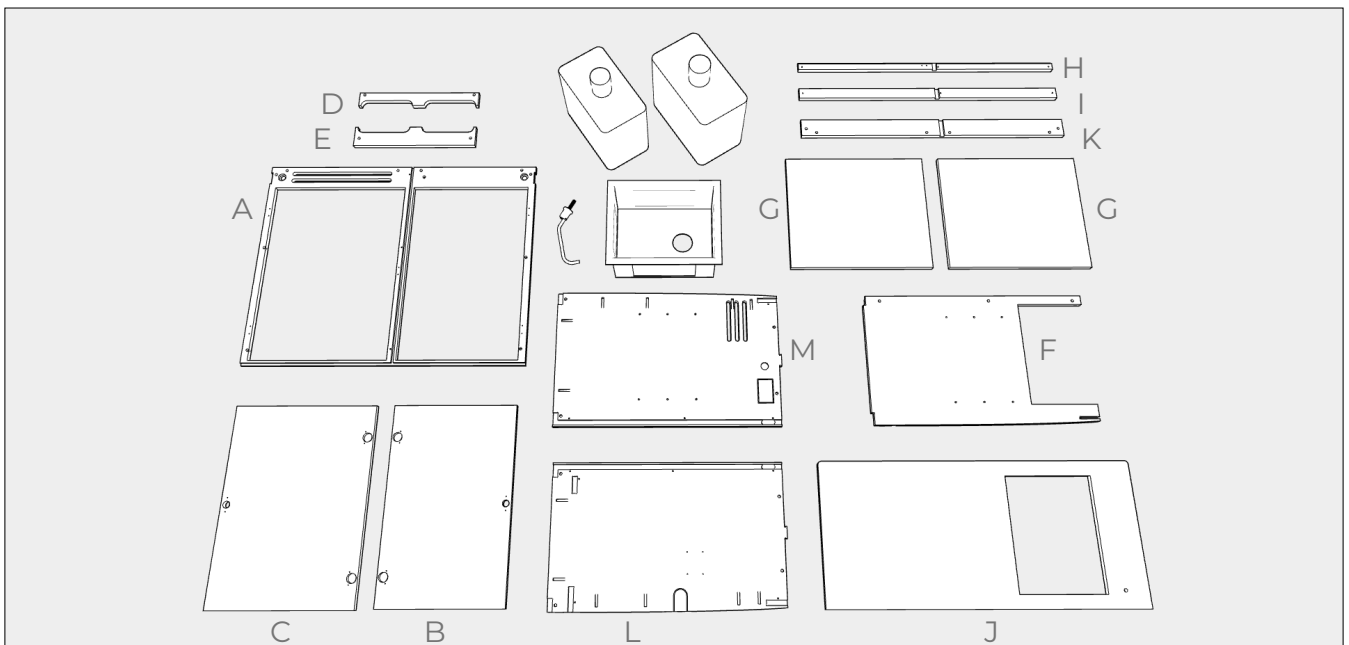
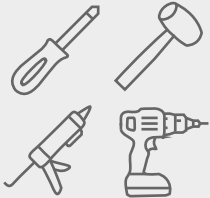
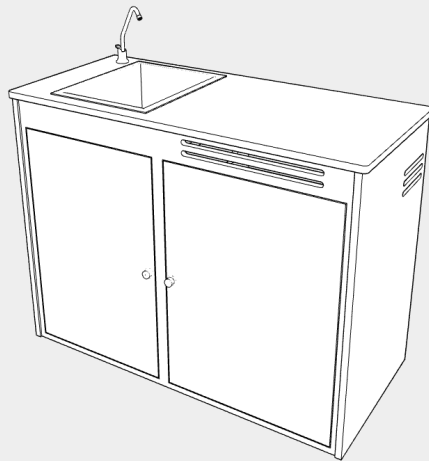


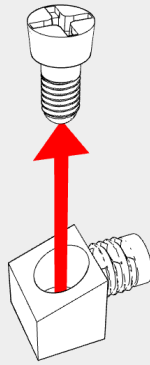
DIY KITCHEN GALLEY

TIMBER



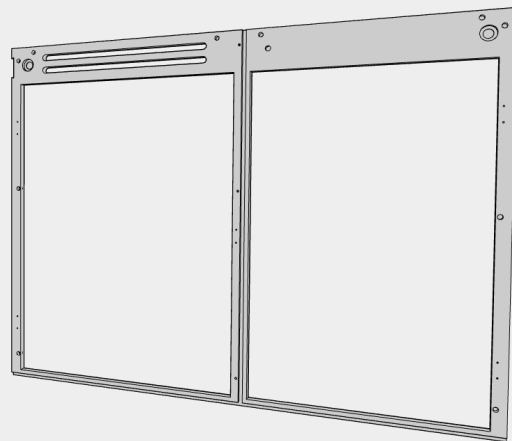
1

Remove and set aside the screws from all cab fasteners. These screws will be installed after installation of the cab fasteners.

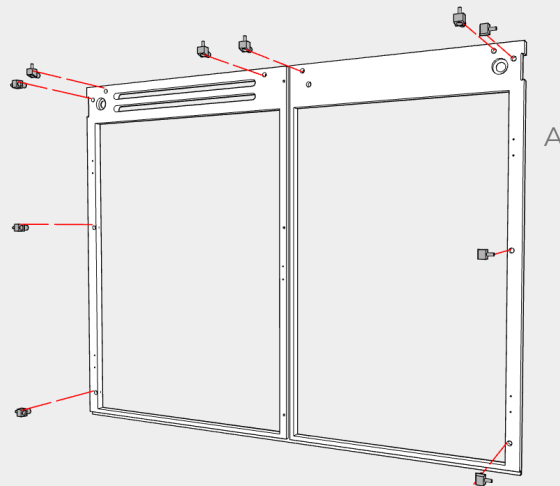


2

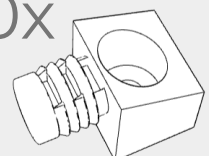
Before assembling: sand all holes, channels, edges and faces of wood panels to remove imperfections and achieve a smooth finish. This will help the pieces fit together cleanly. The more time spent sanding, the better the end result will be.



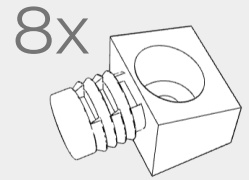
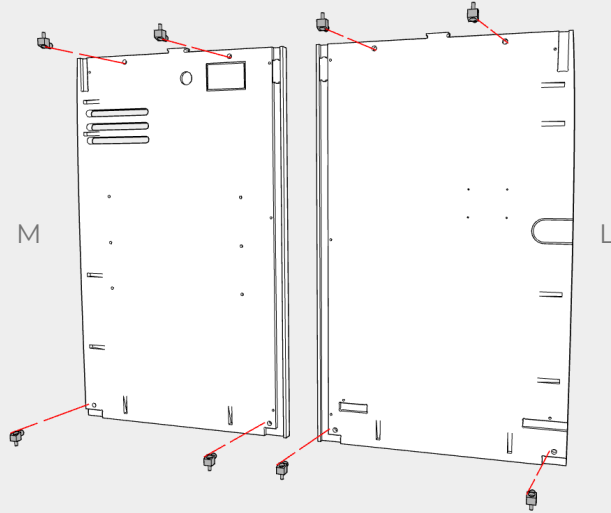
3



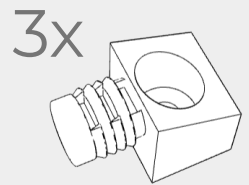
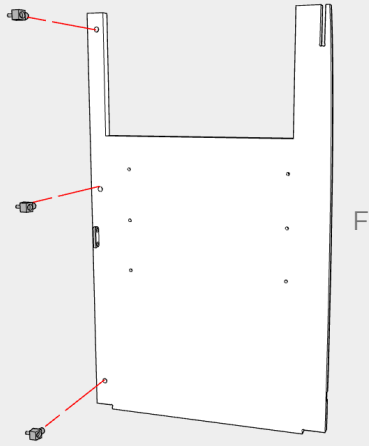
10x



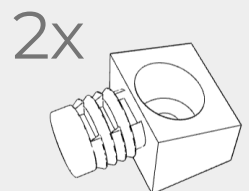
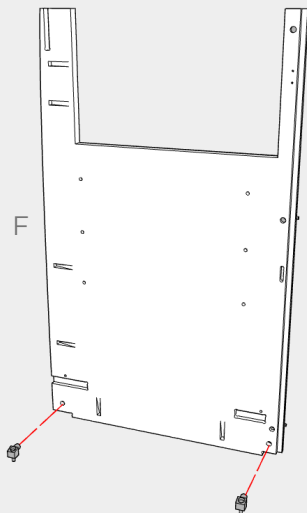
4



5

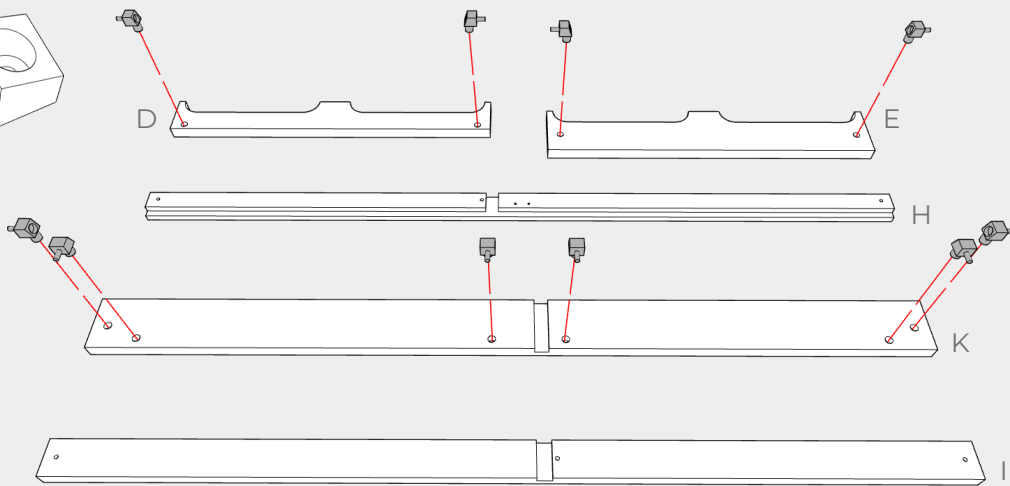
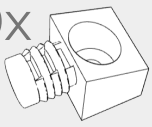


6

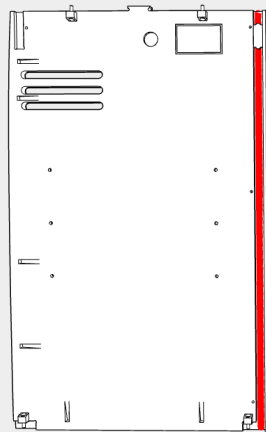


7

10x

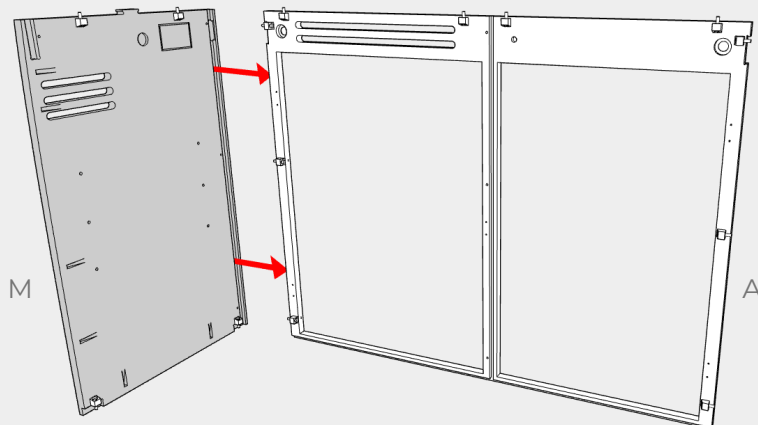


8

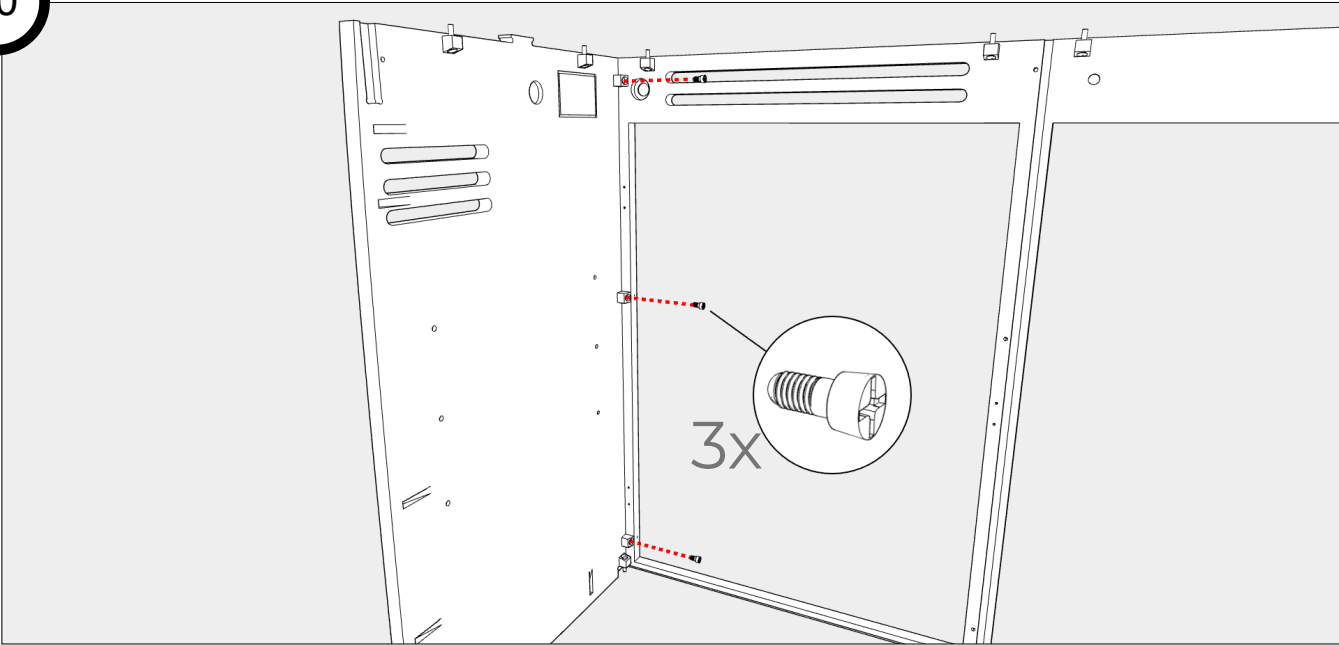


Note: We recommend dry-fitting wood panels before gluing to check the fit. Apply wood glue to channels where wood panels joint just before attaching. Repeat this for all wood joint pieces as you progress through your assembly.

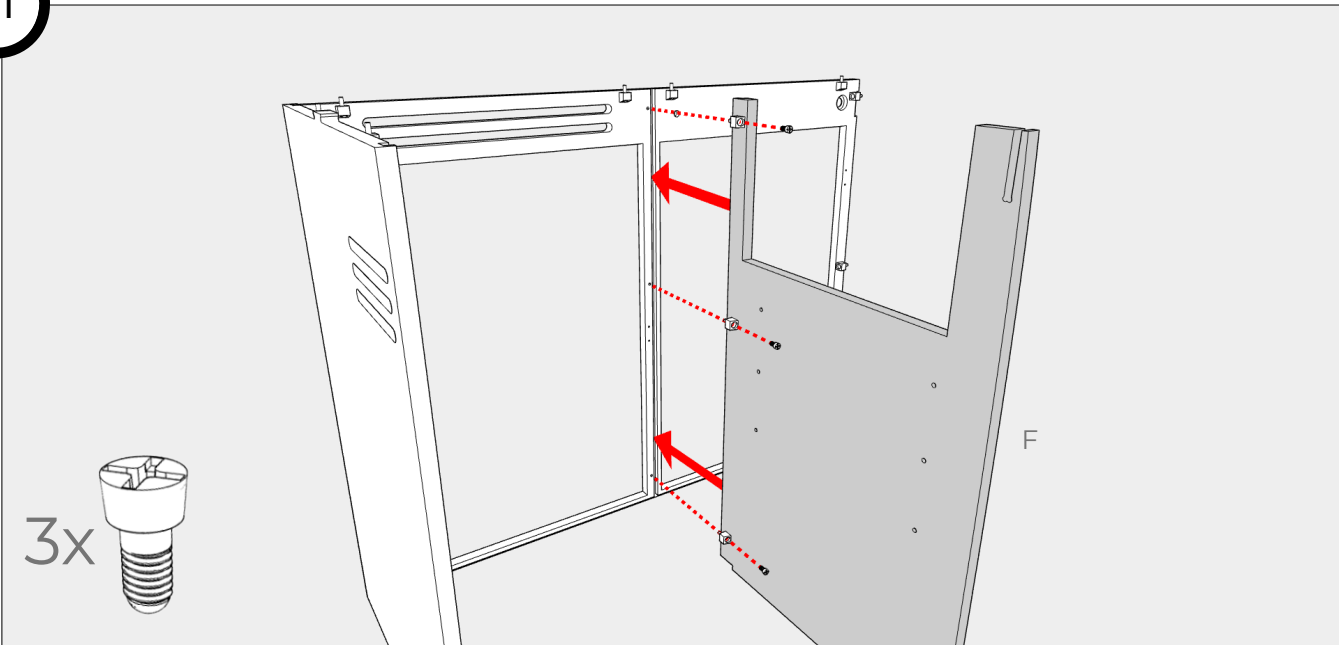
9



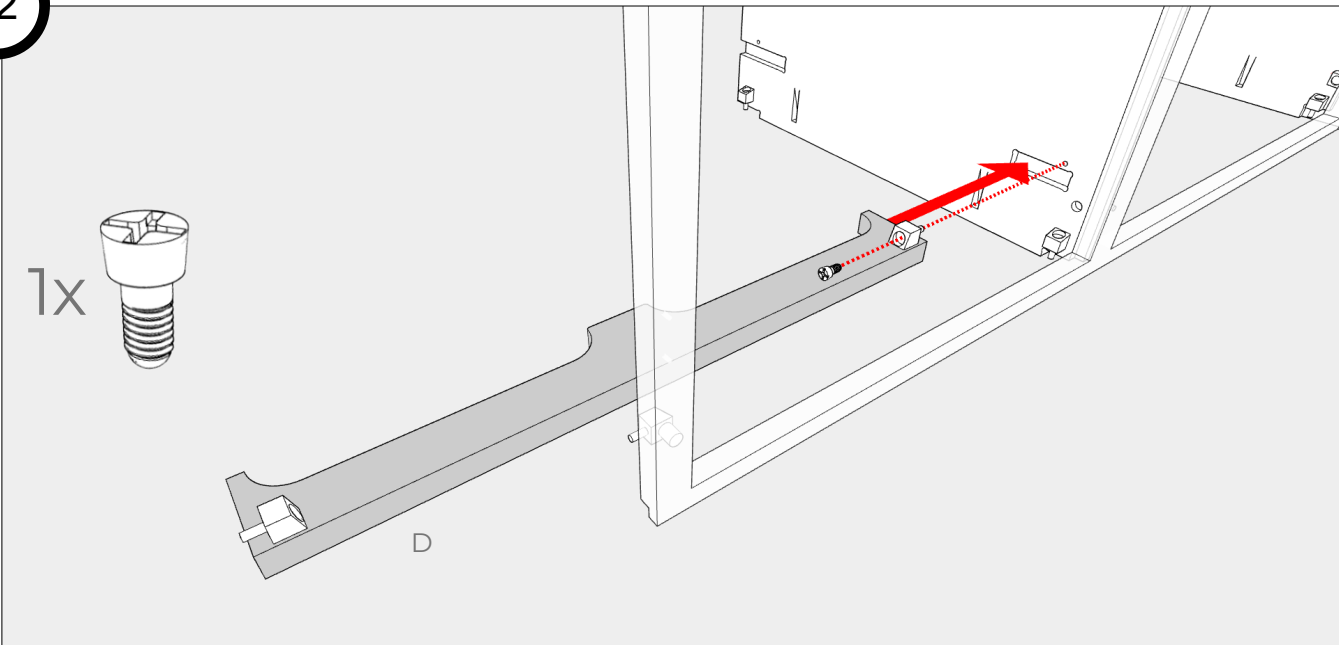
10



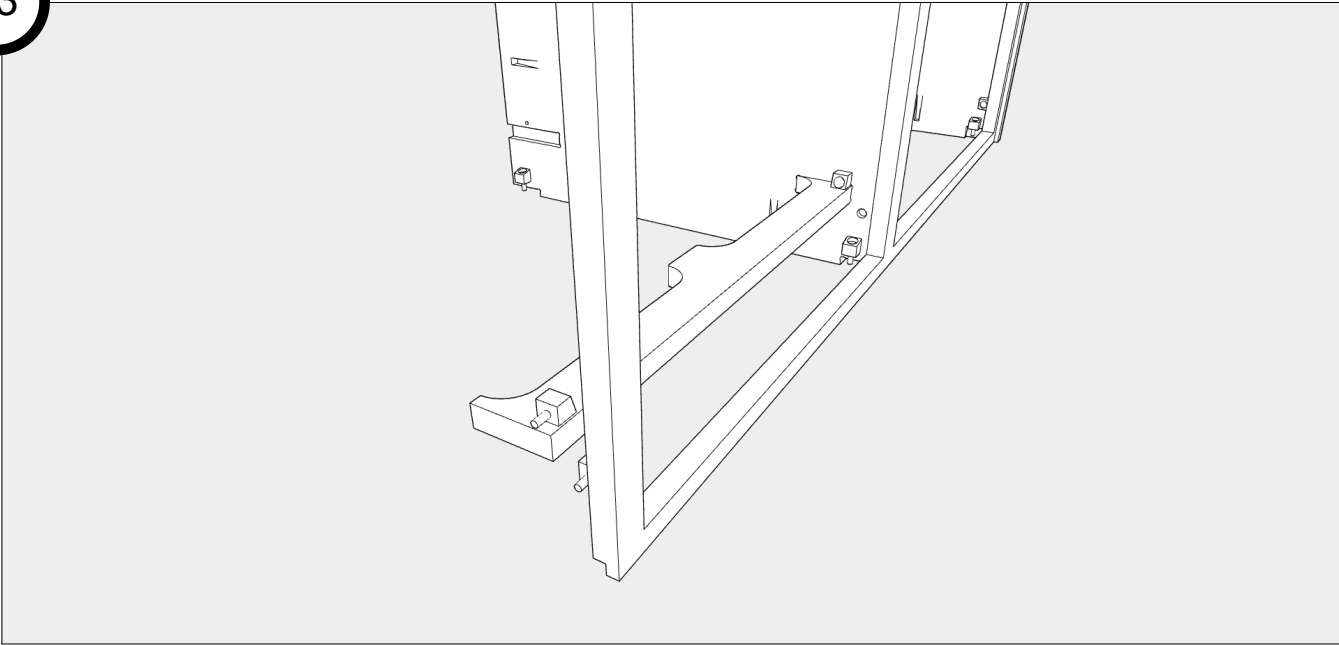
11



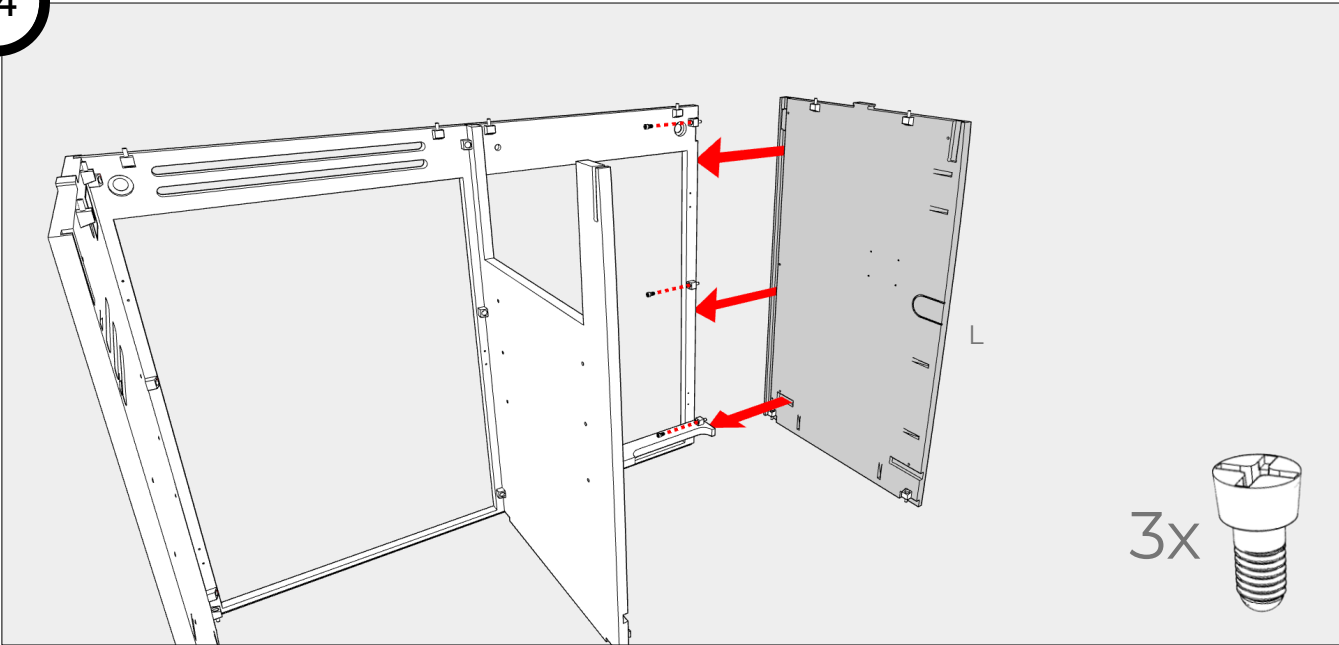
12



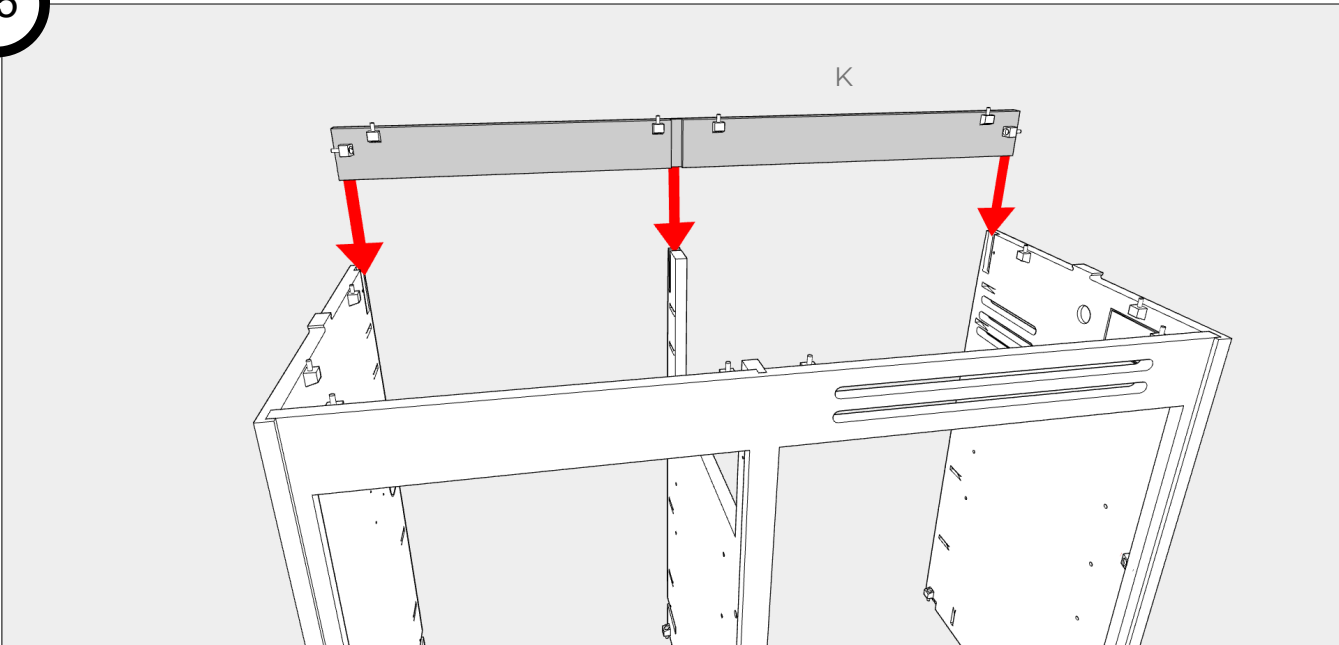
13



14

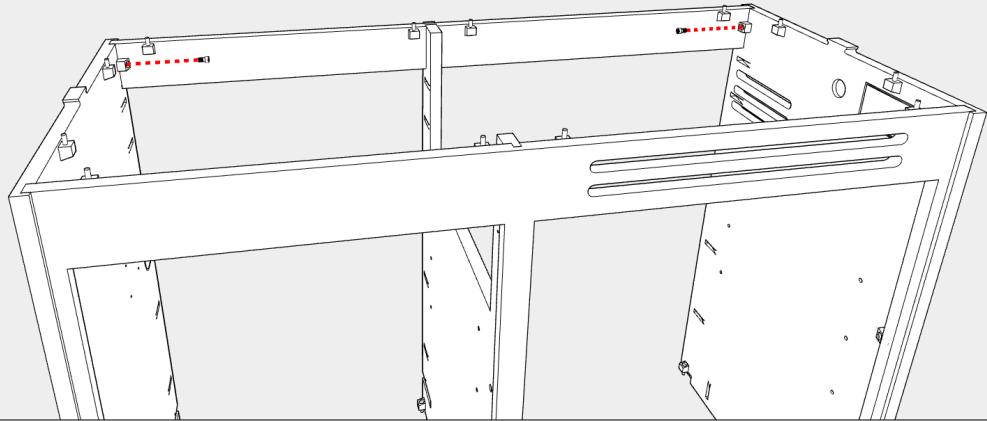
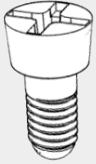


15

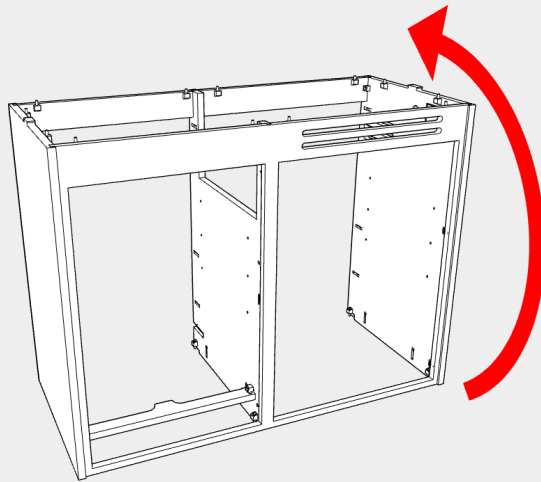


16

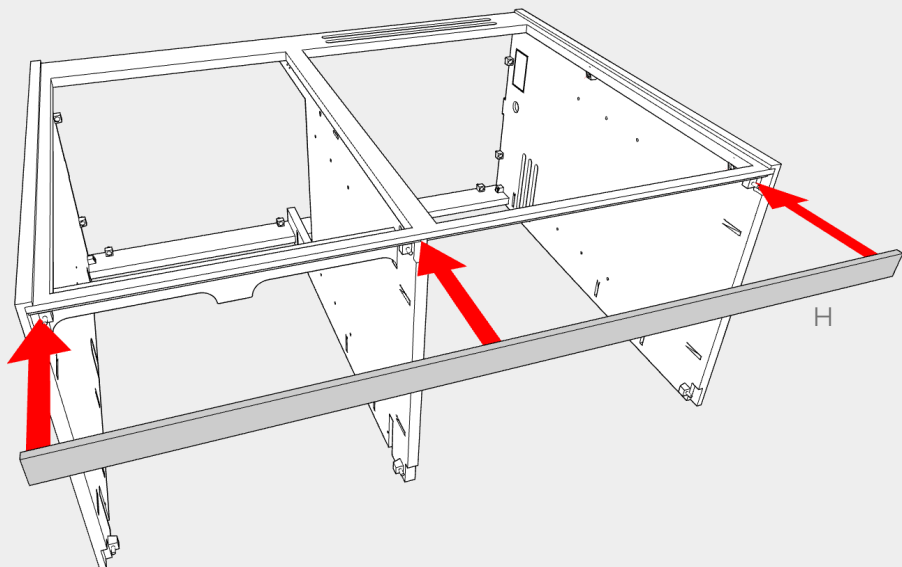
2x



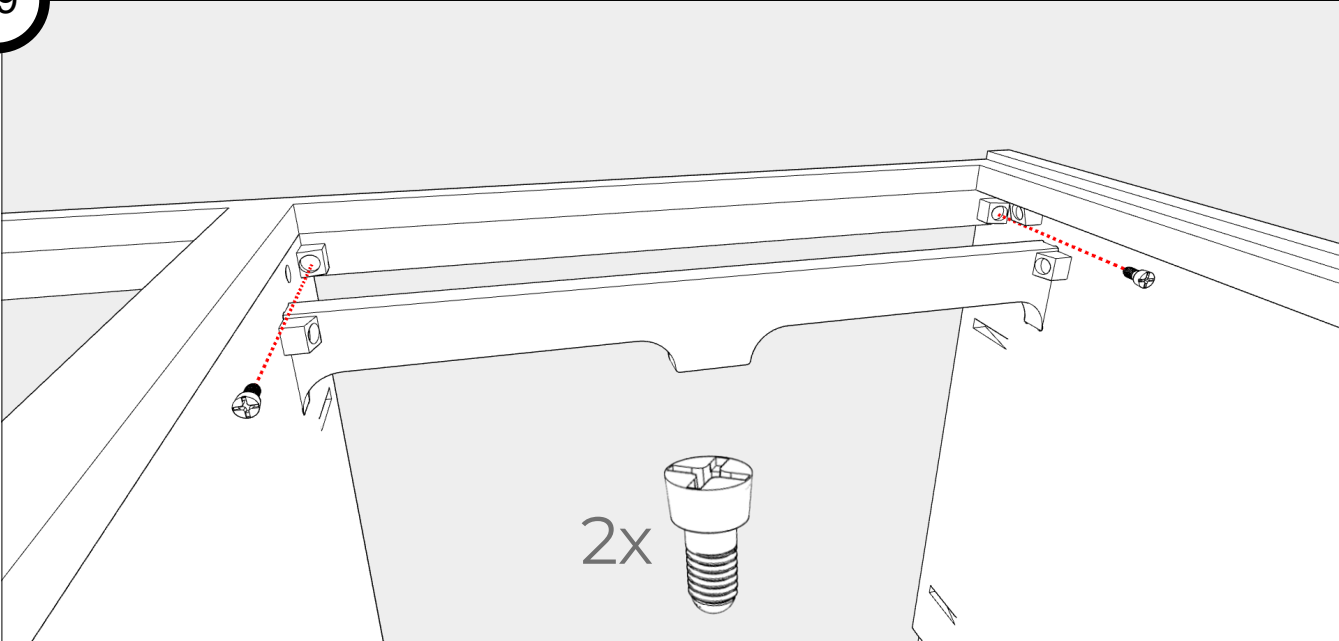
17



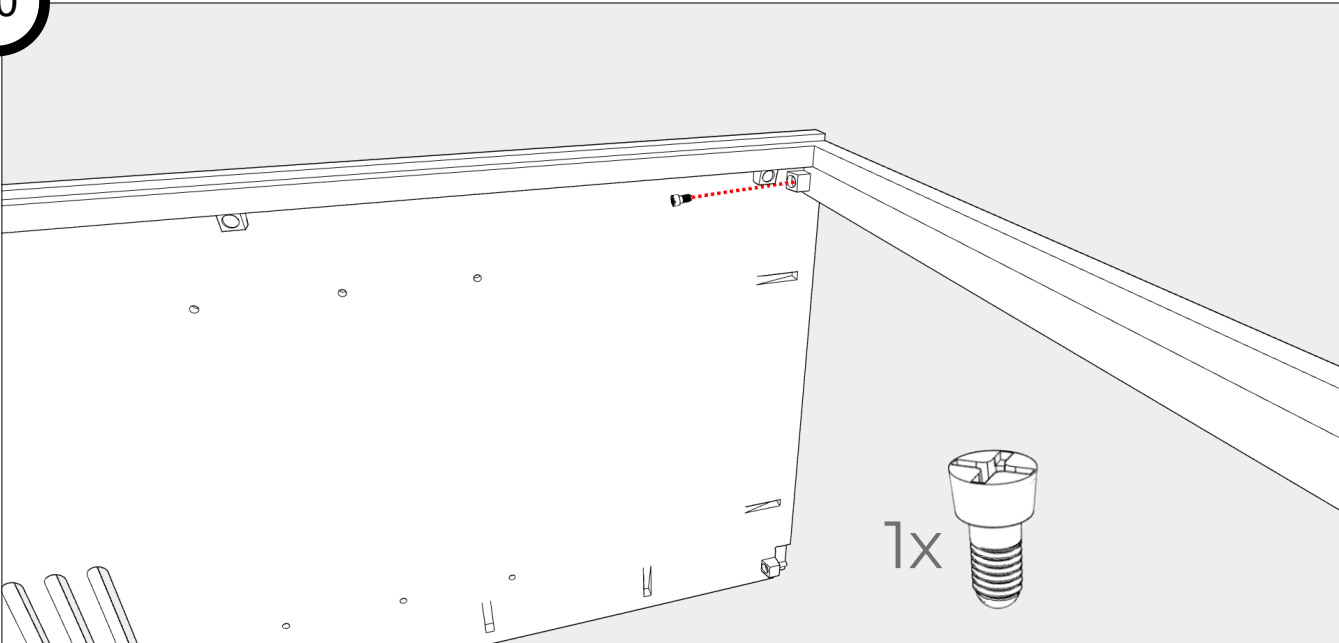
18



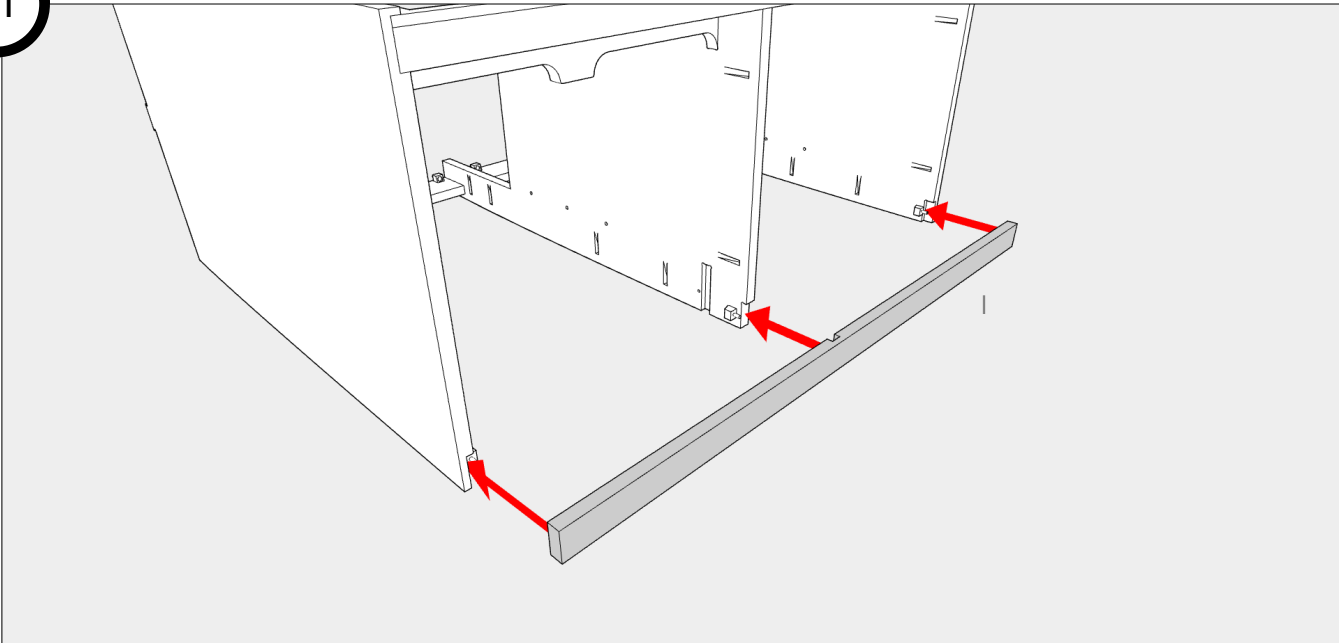
19



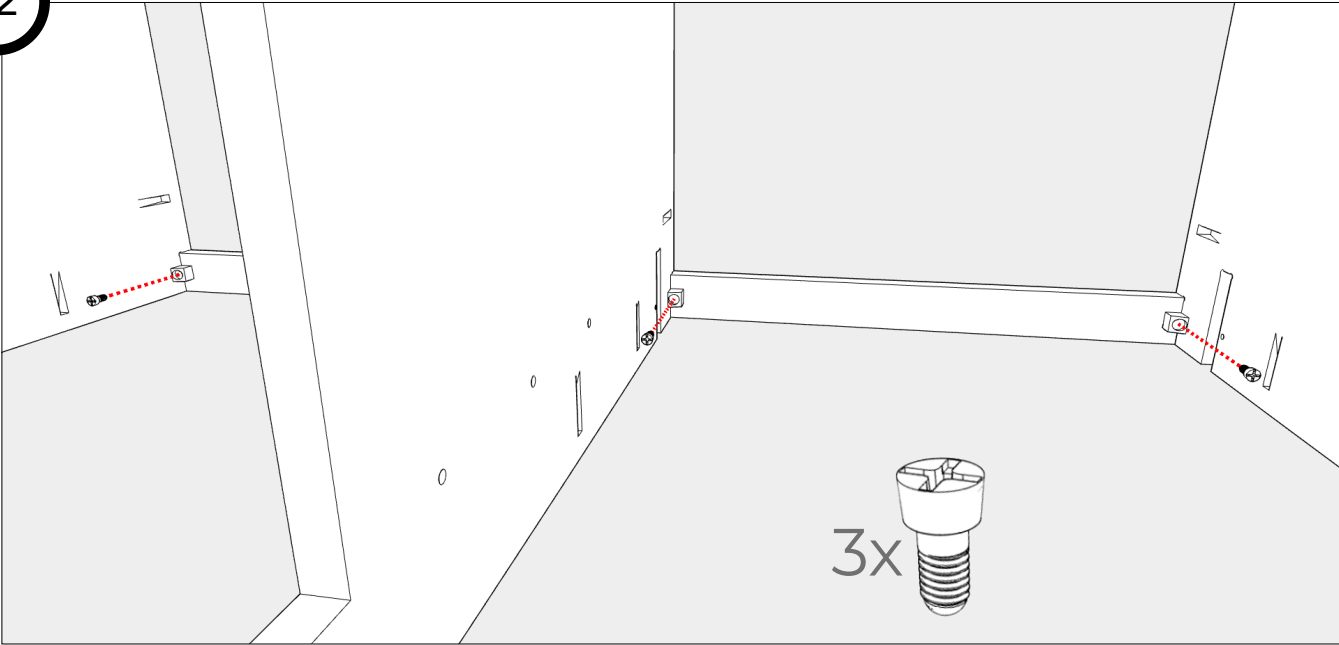
20



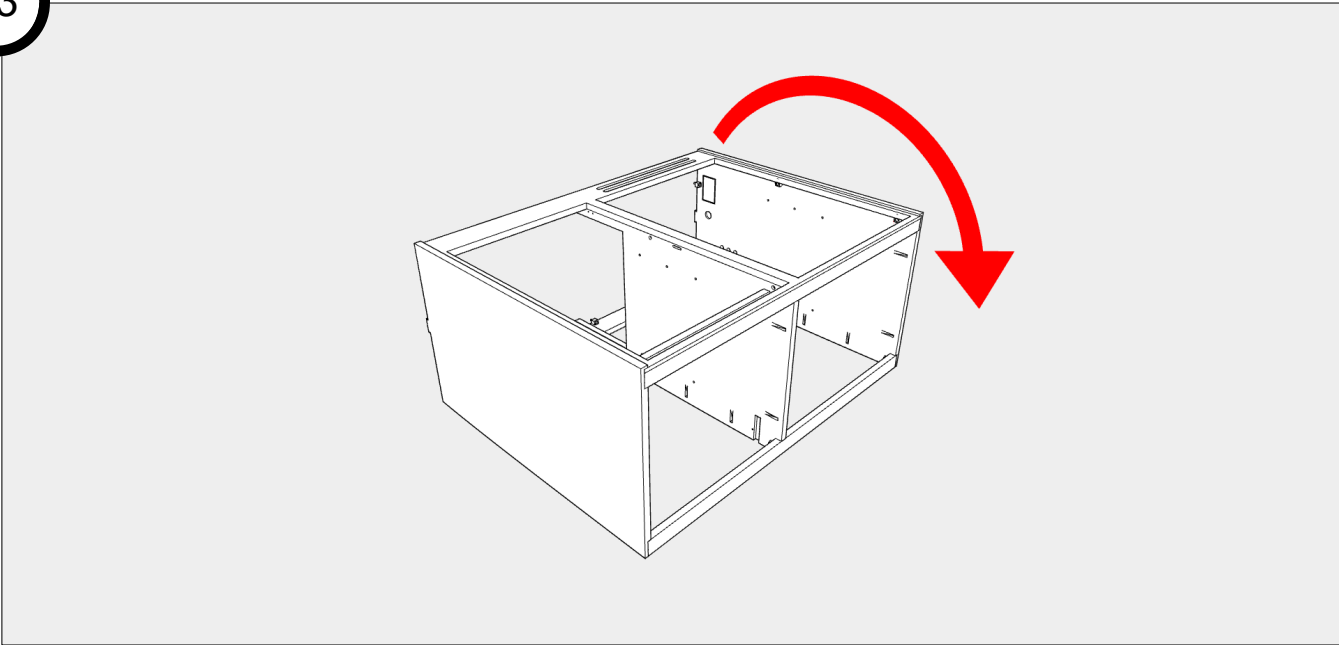
21



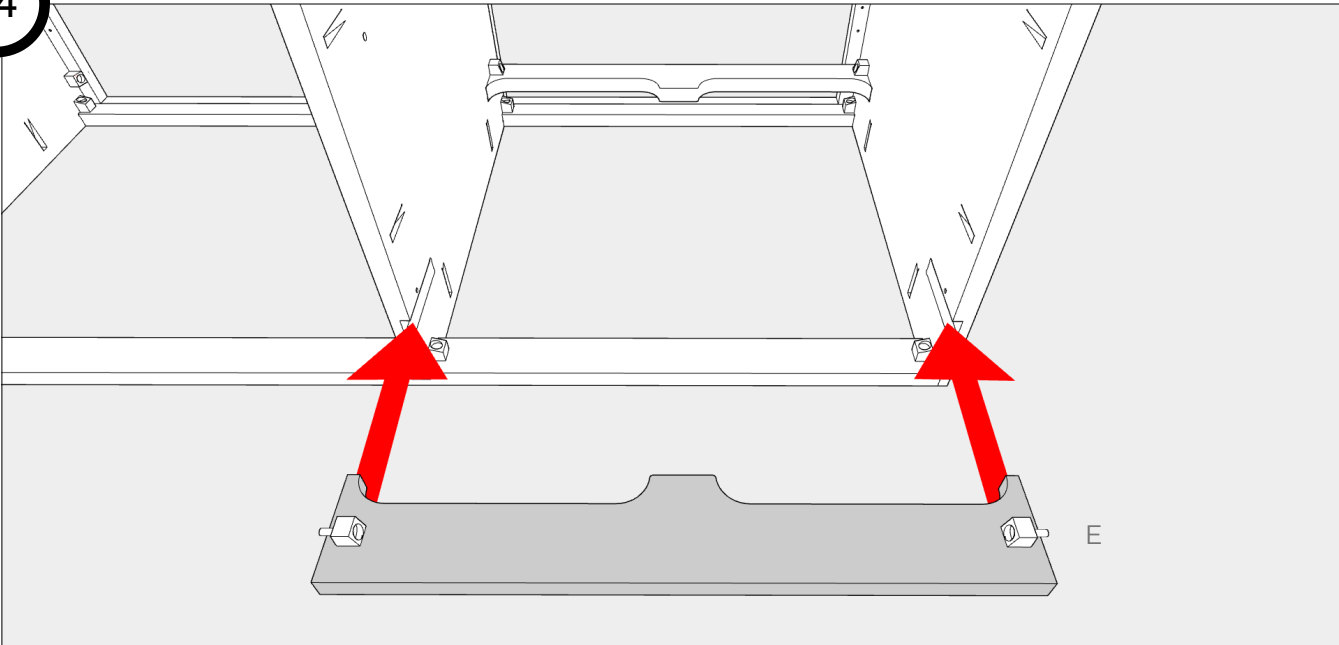
22



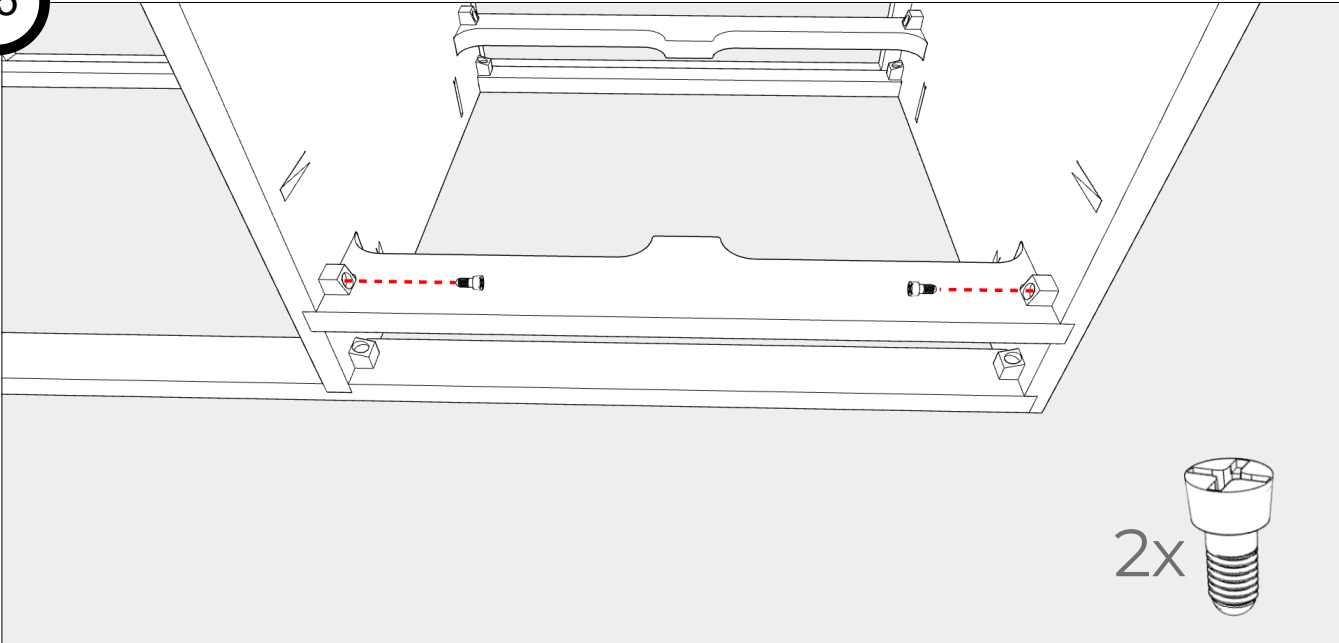
23



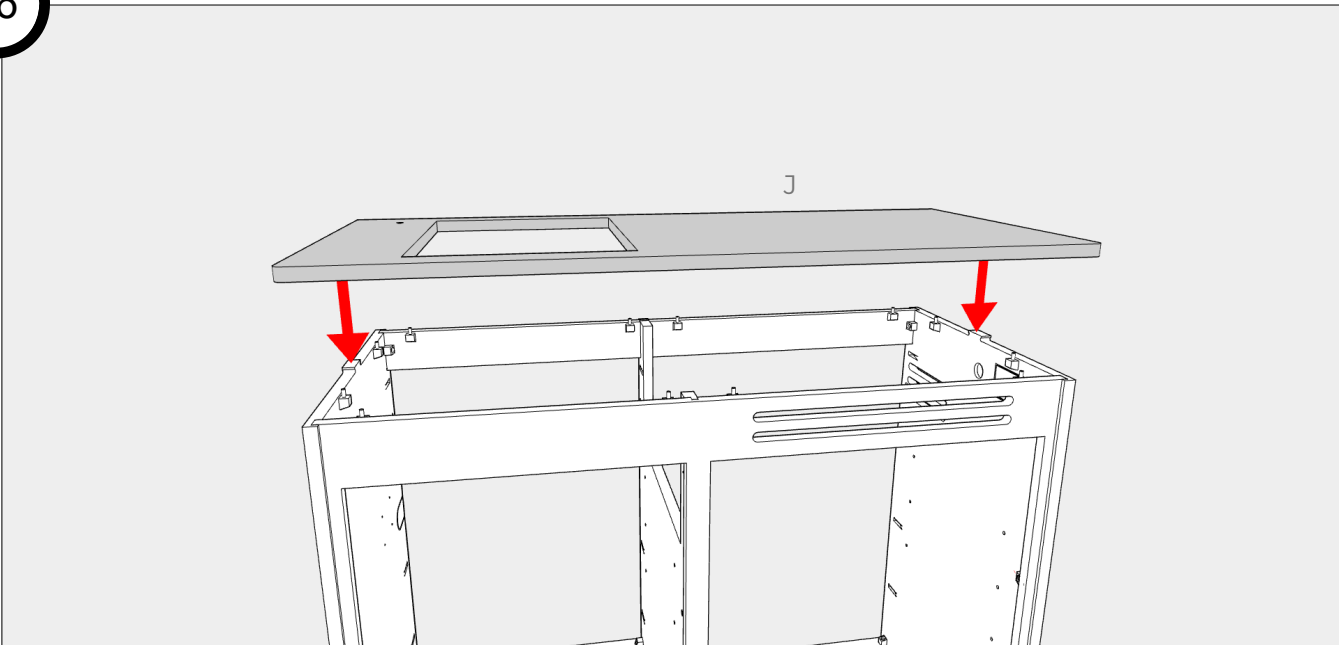
24



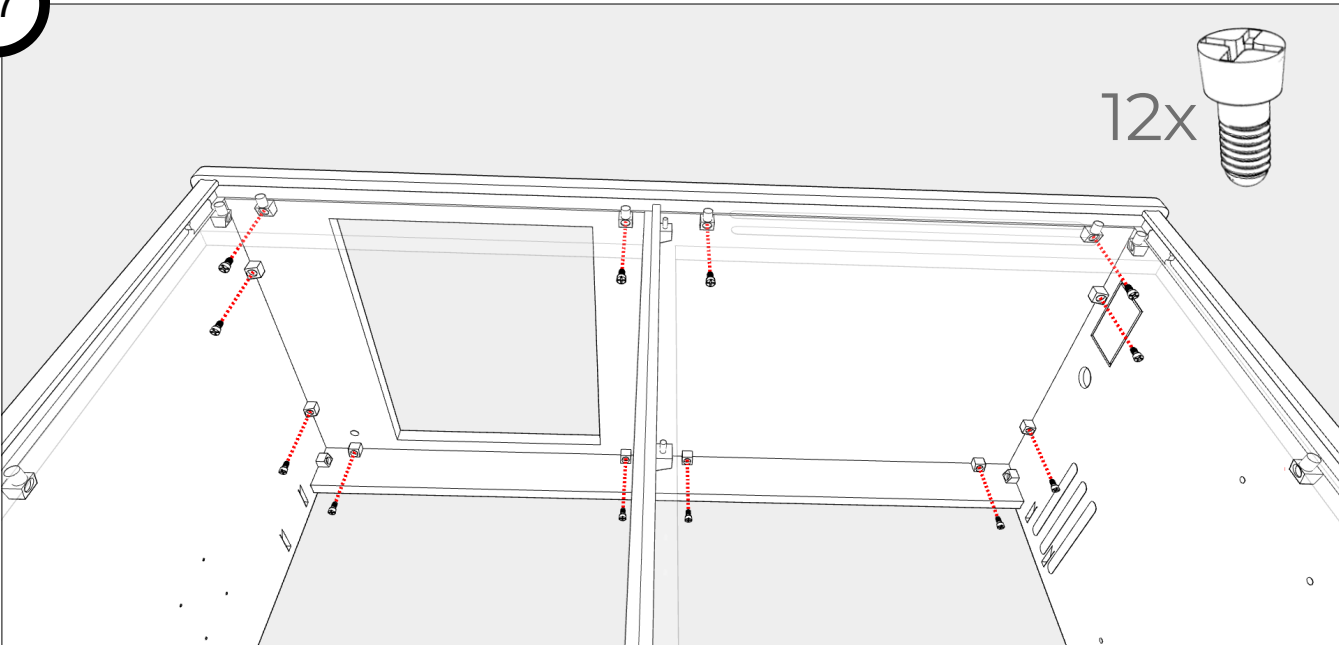
25



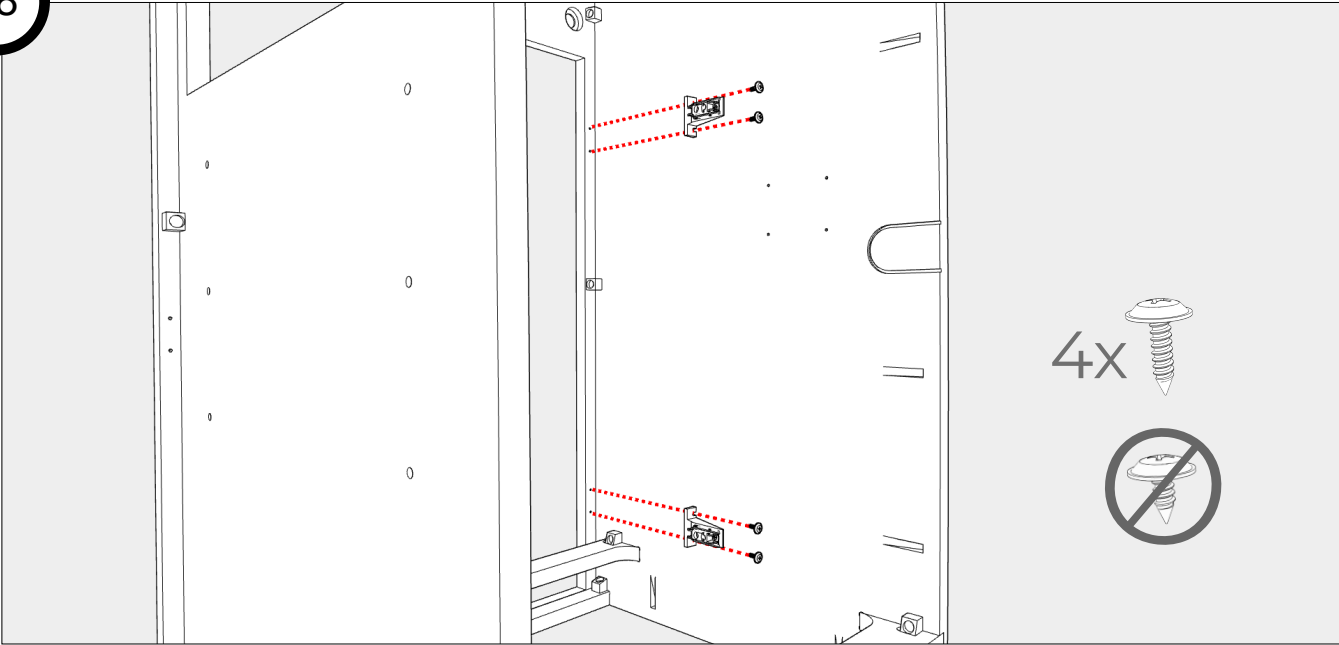
26



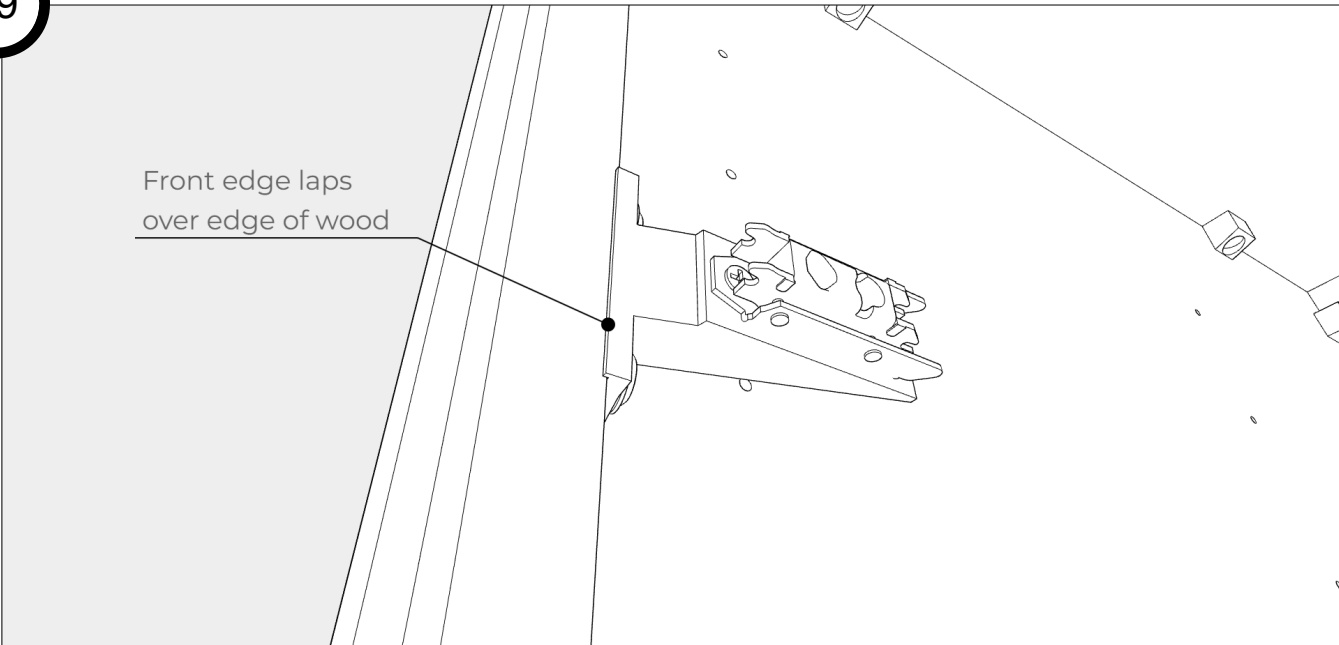
27



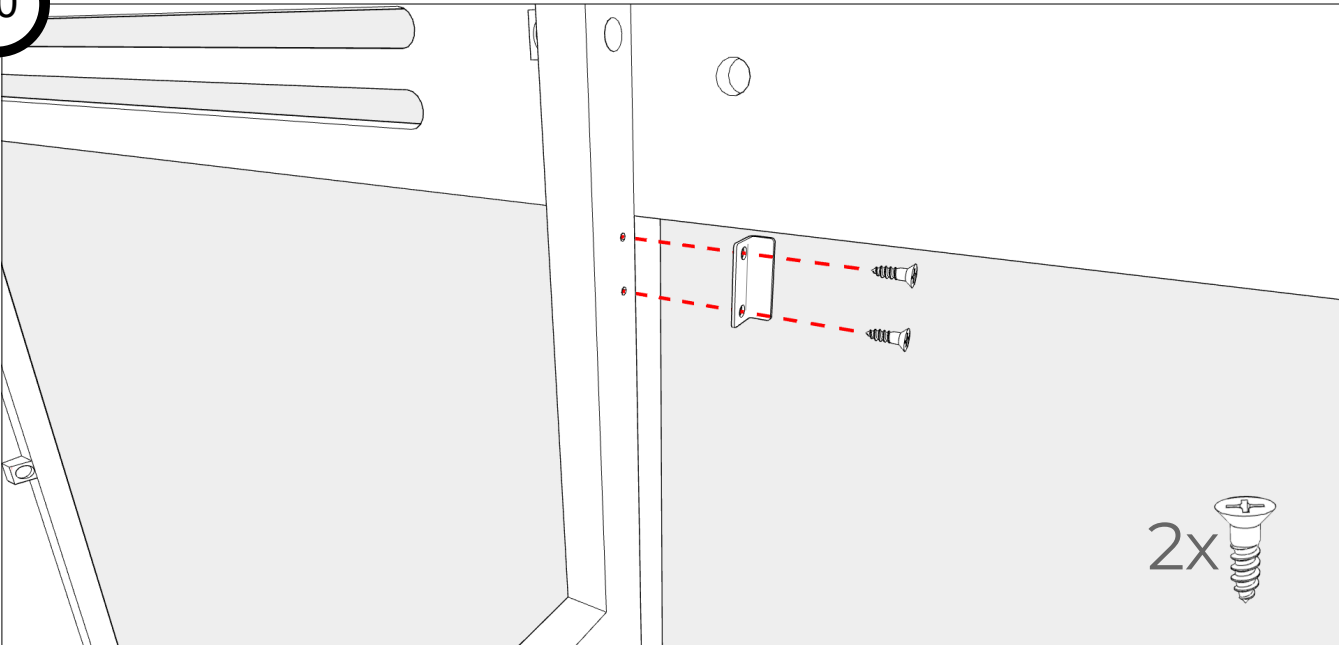
28



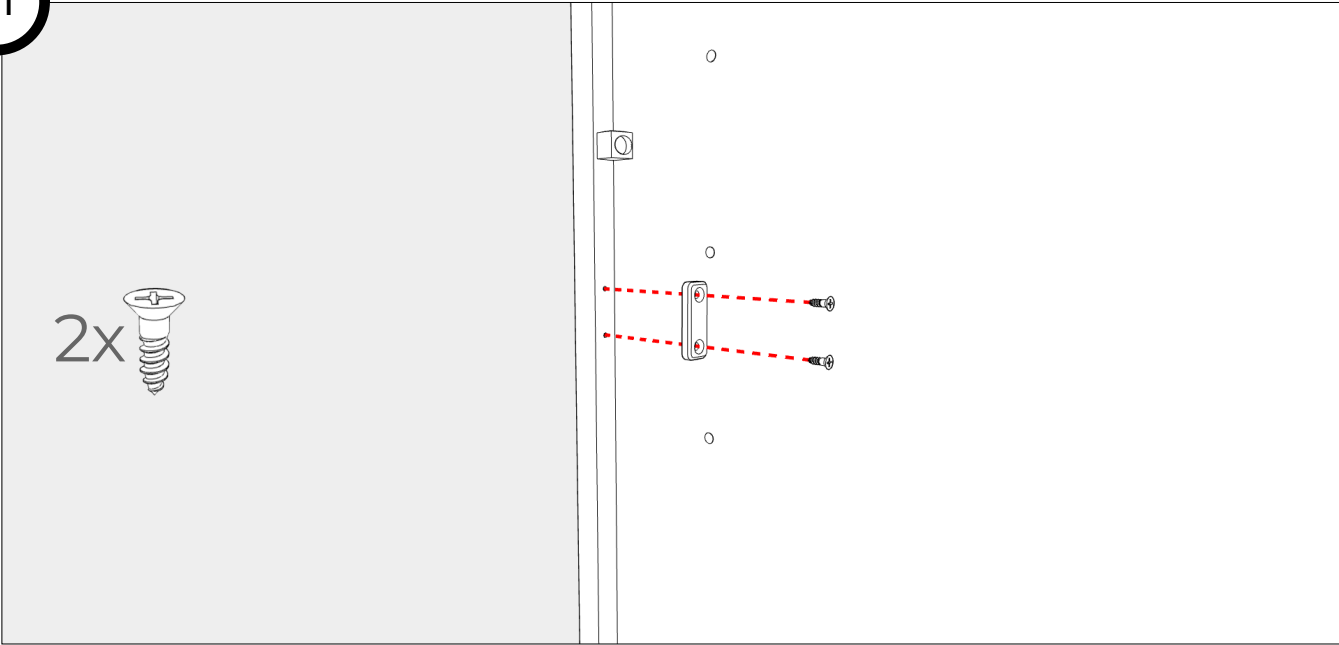
29



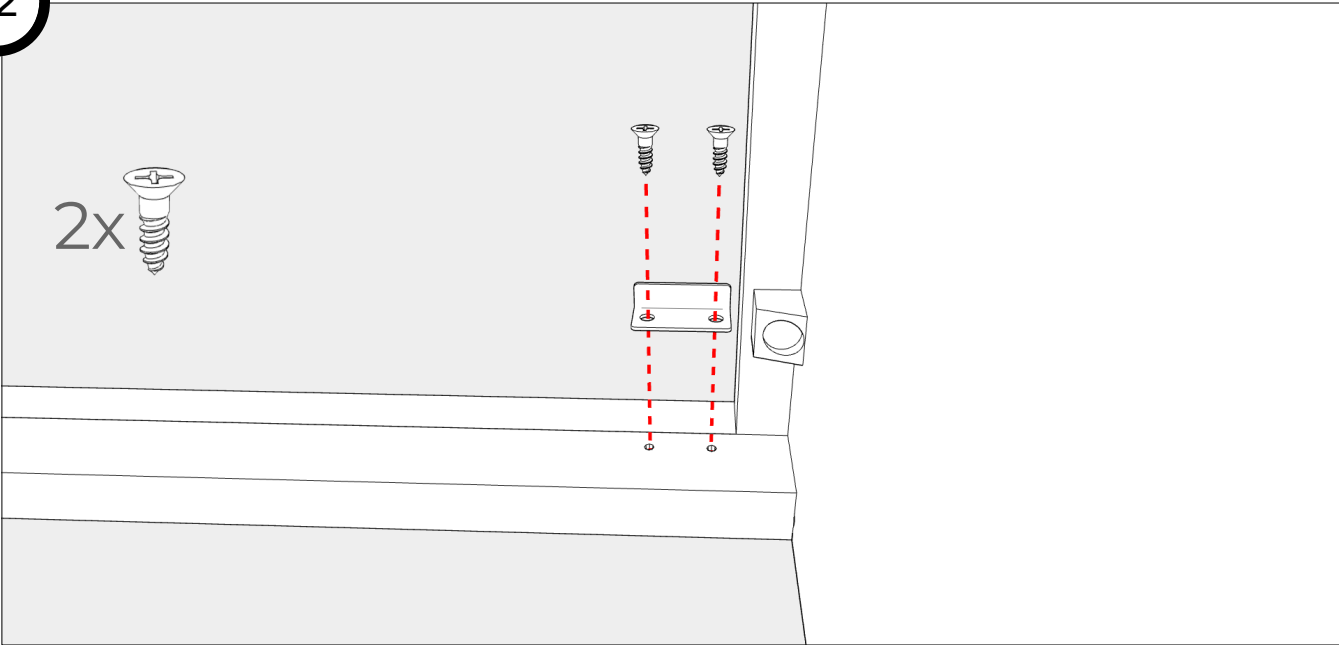
30



31

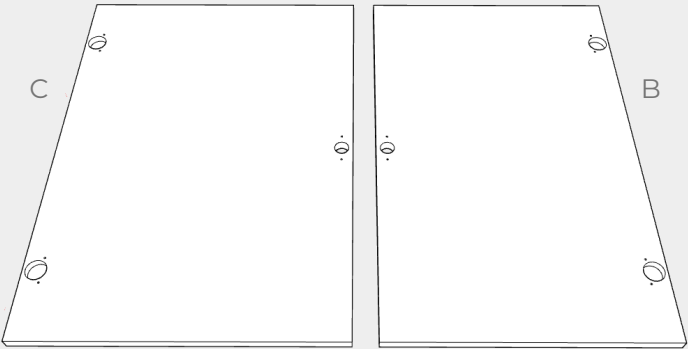


32

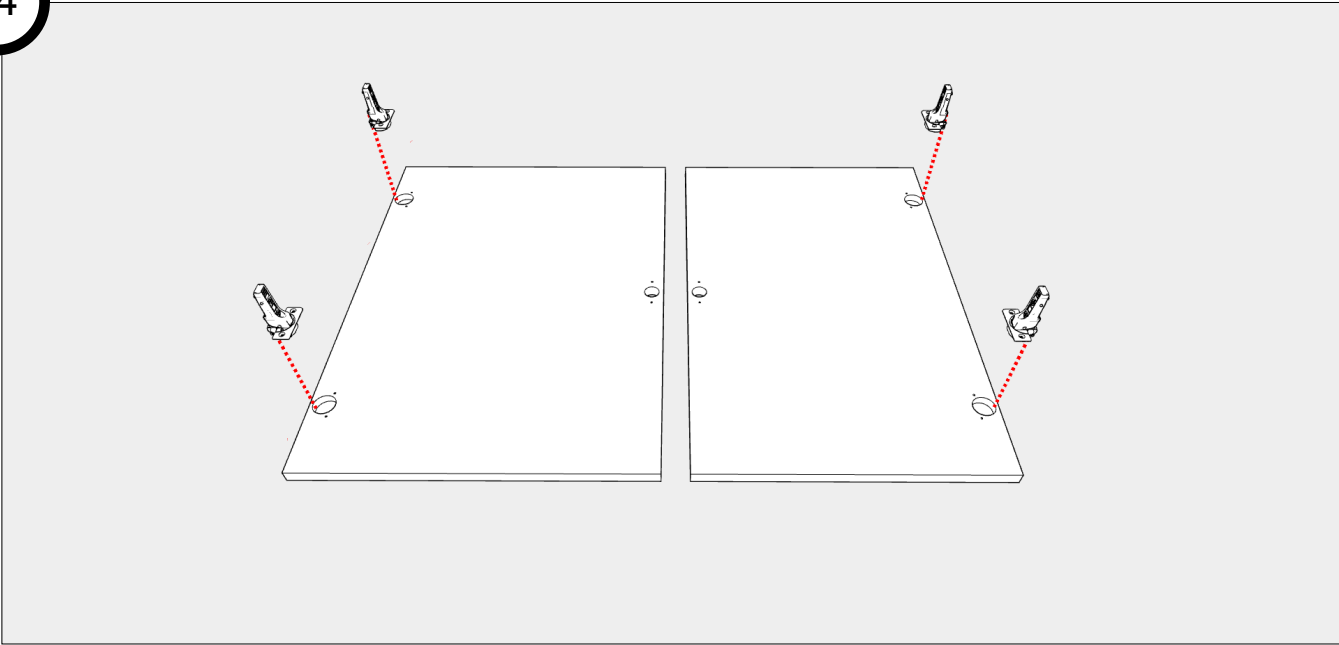


33

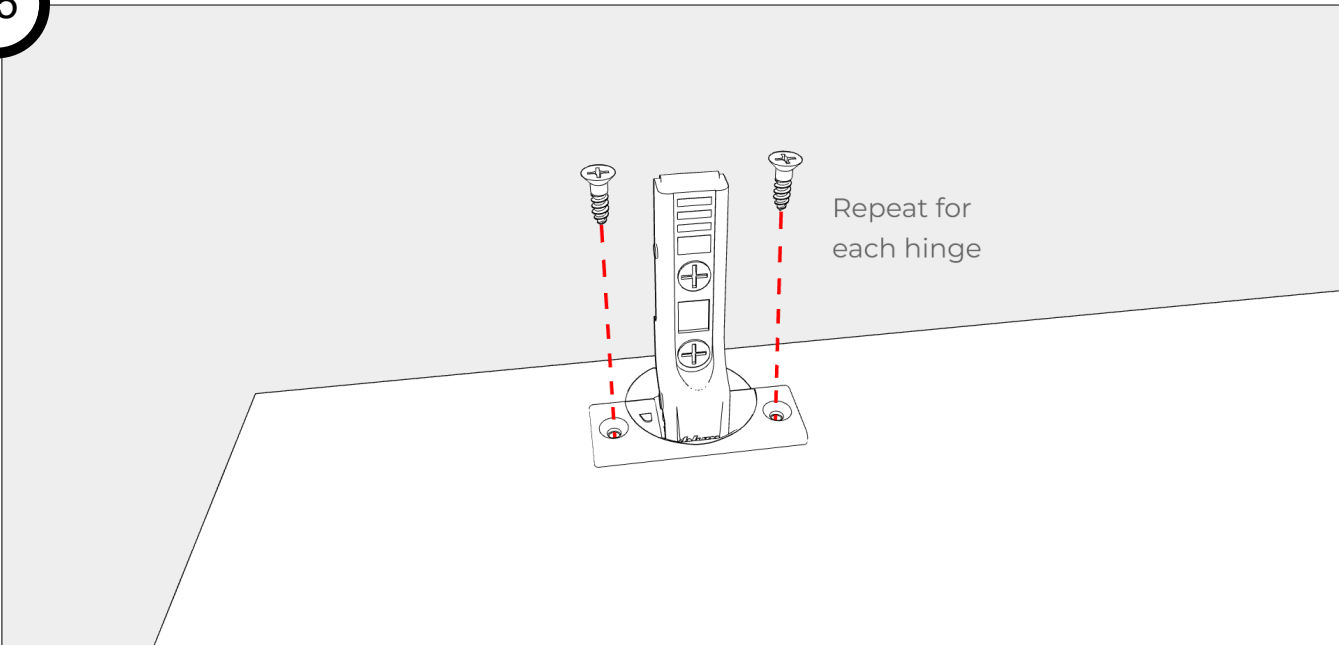
Note: If you want to install a fridge, you may skip assembling the larger door



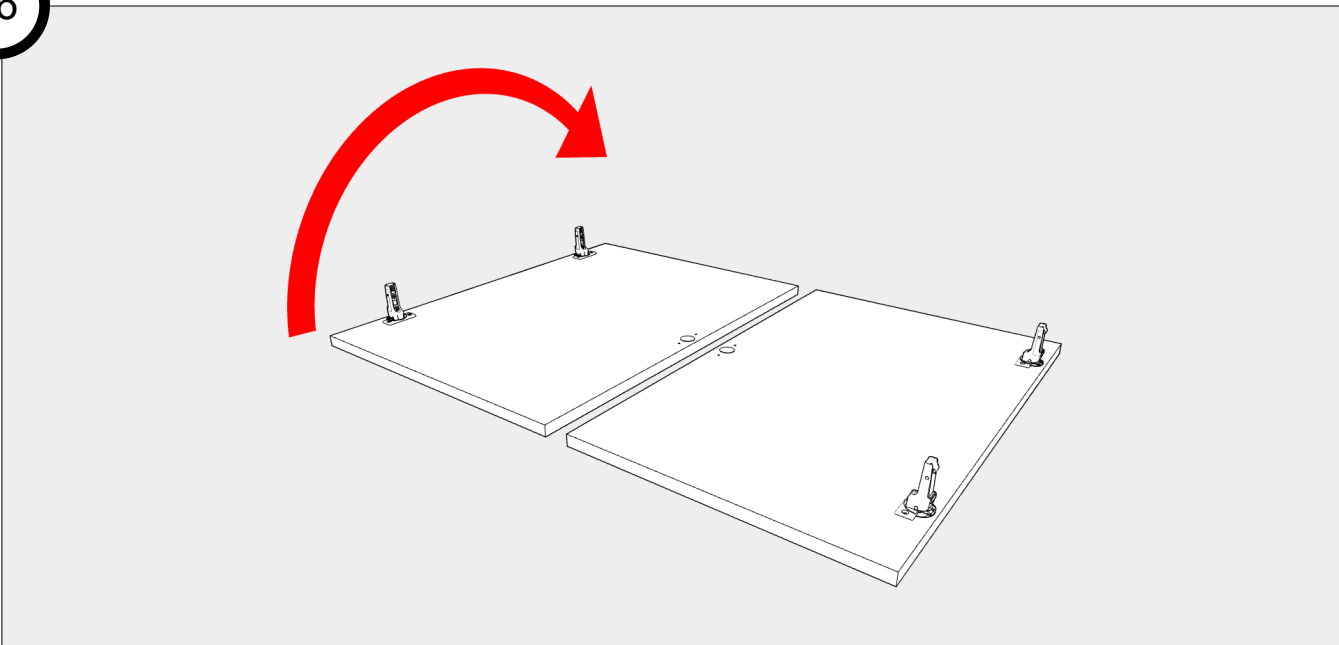
34

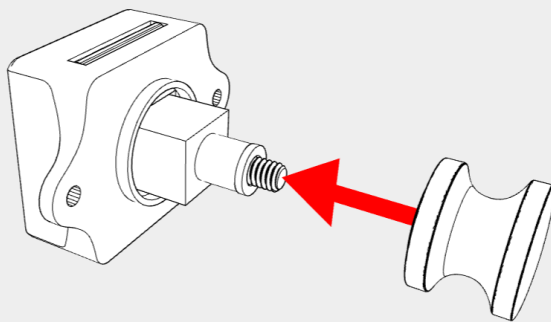
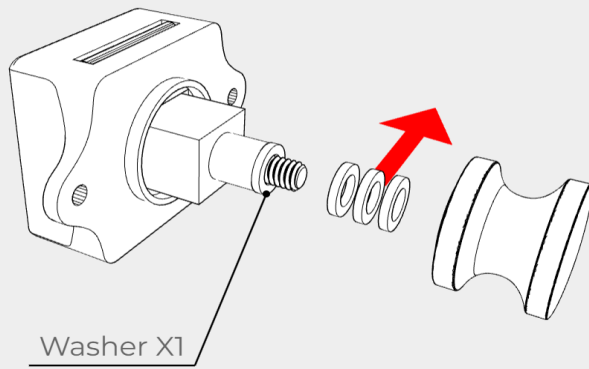
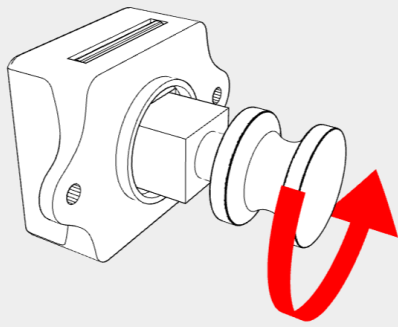


35

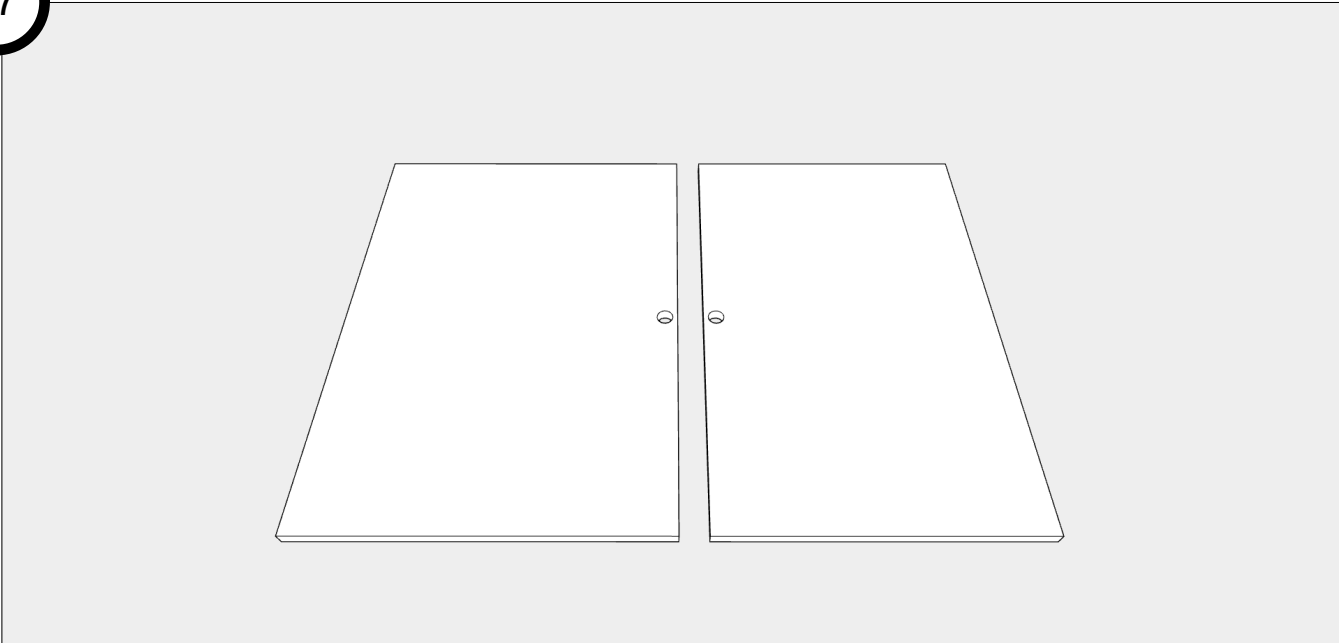


36

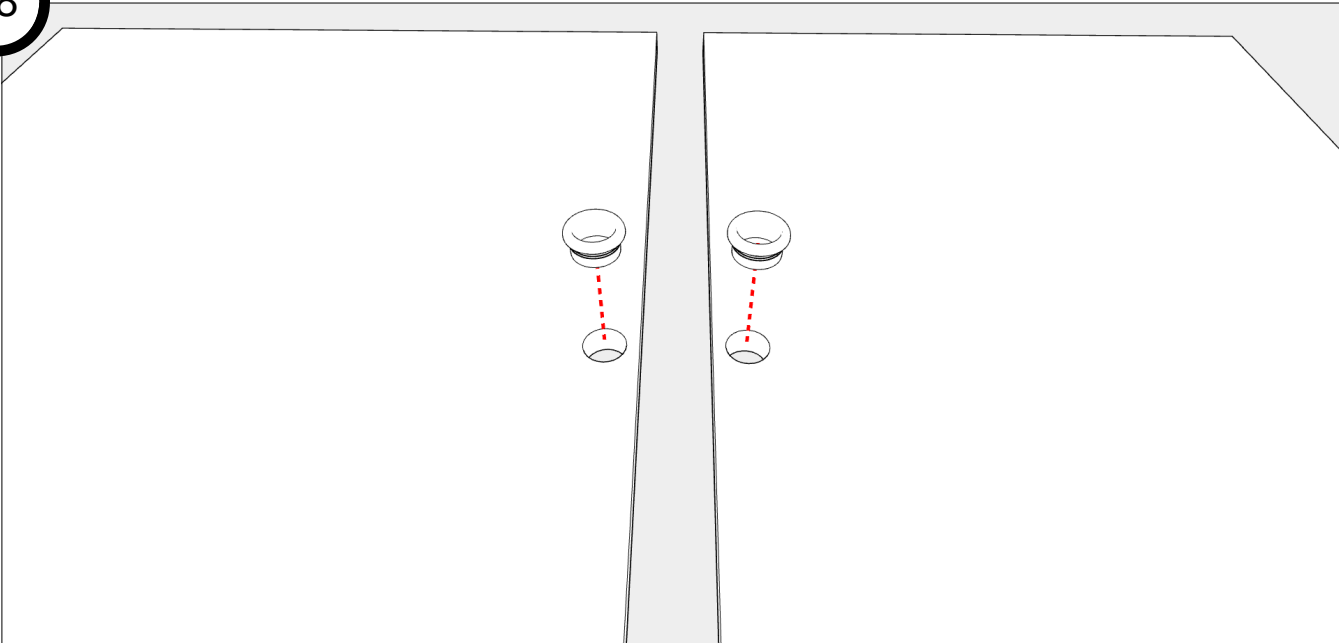




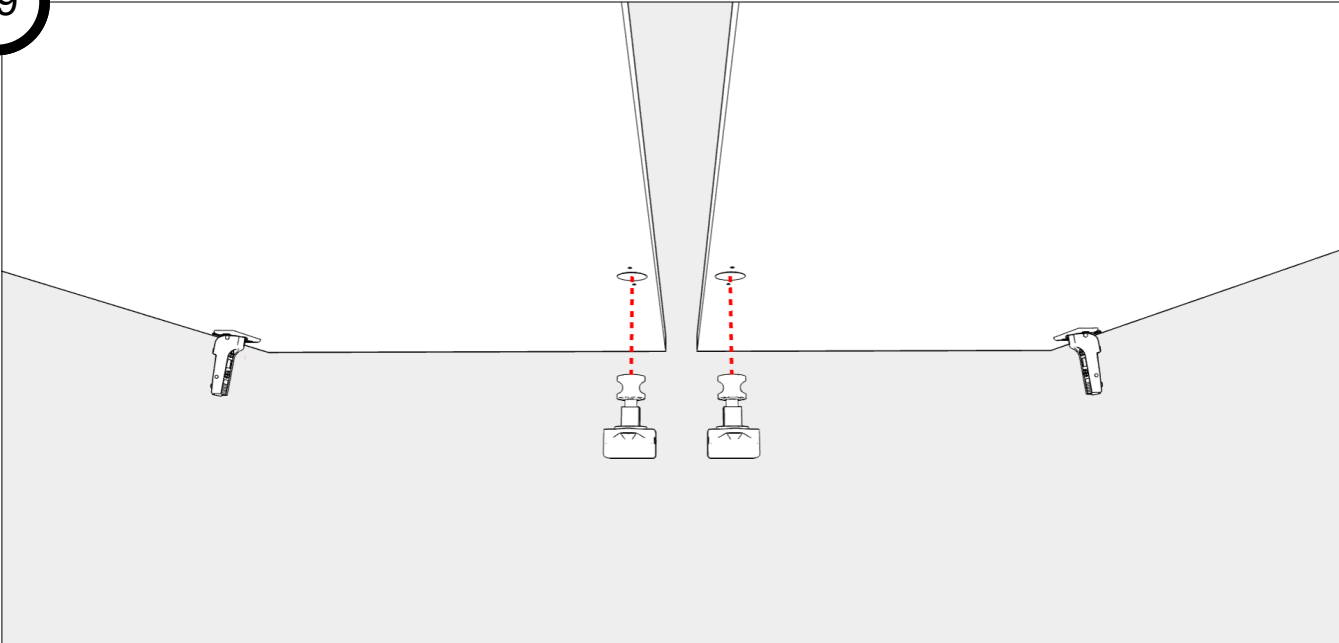
37



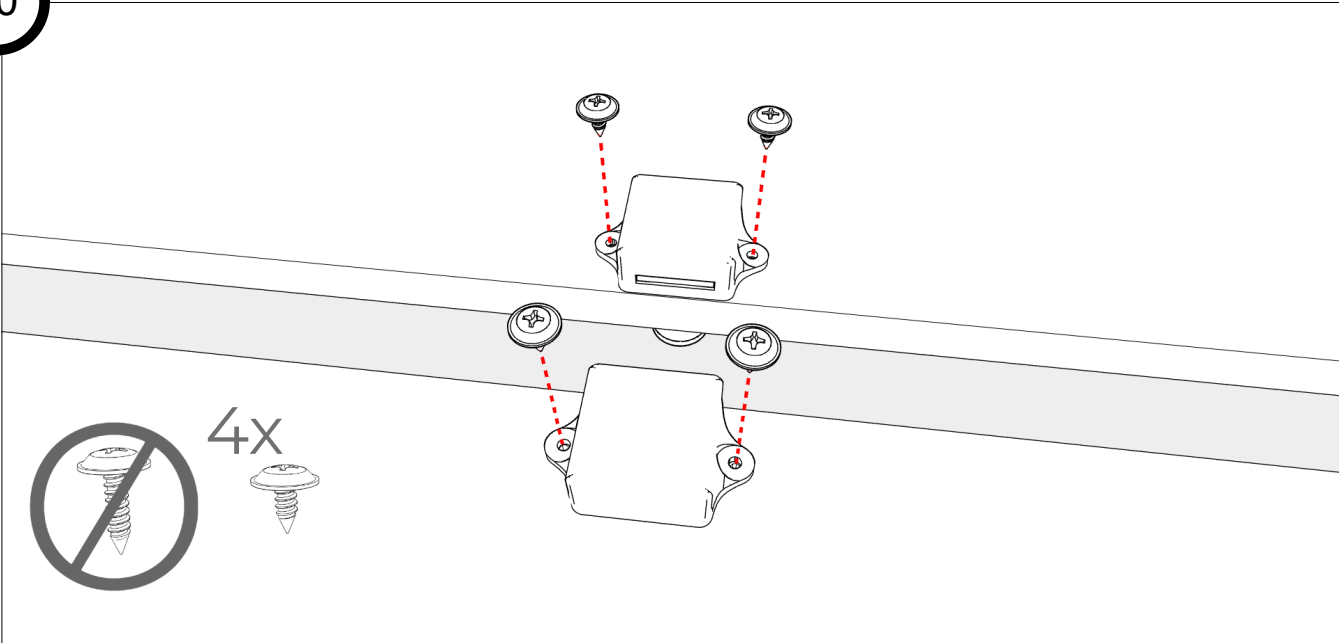
38



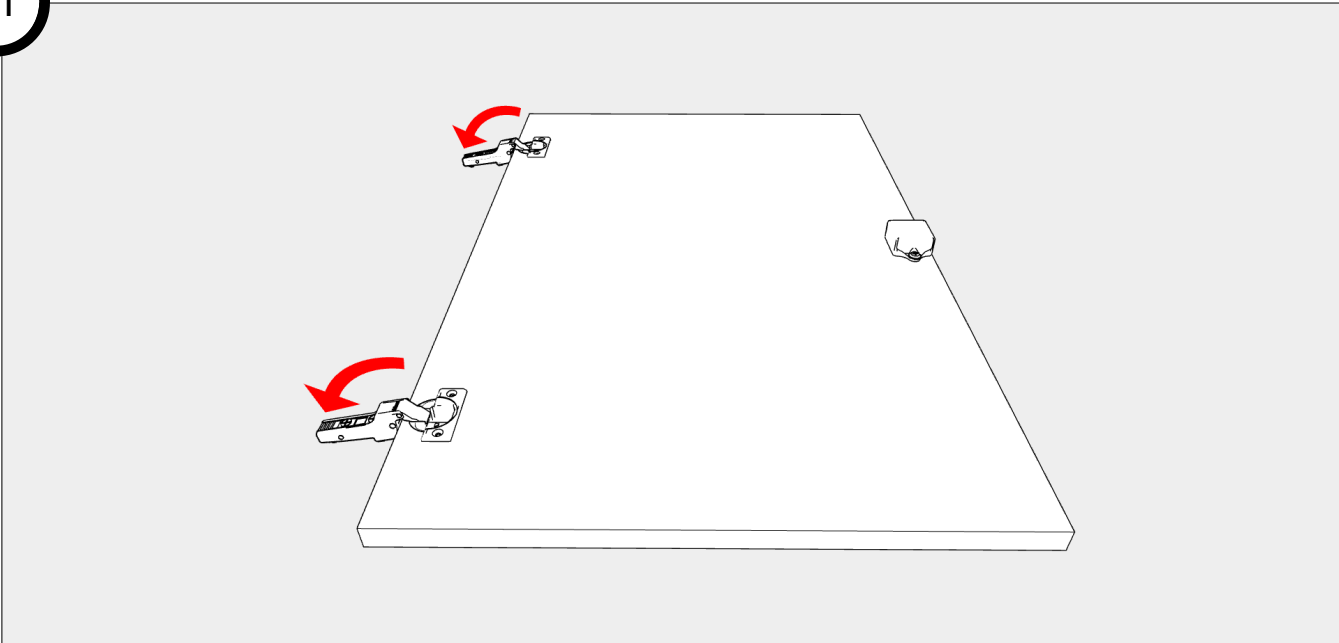
39



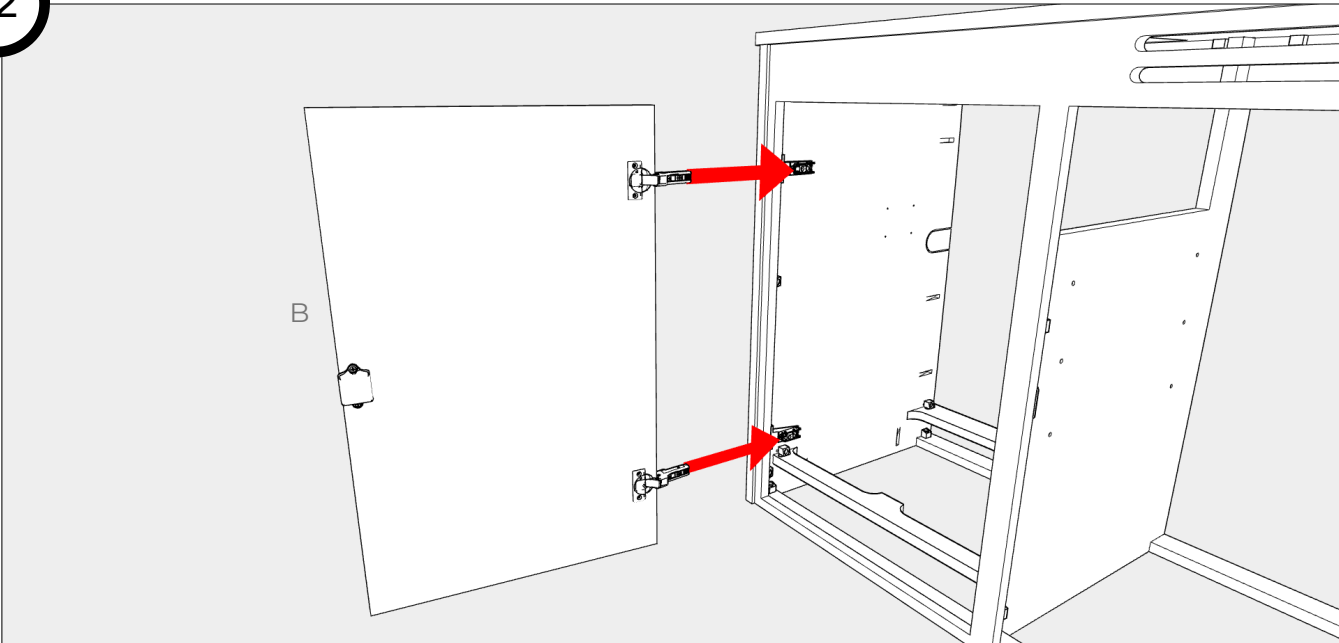
40

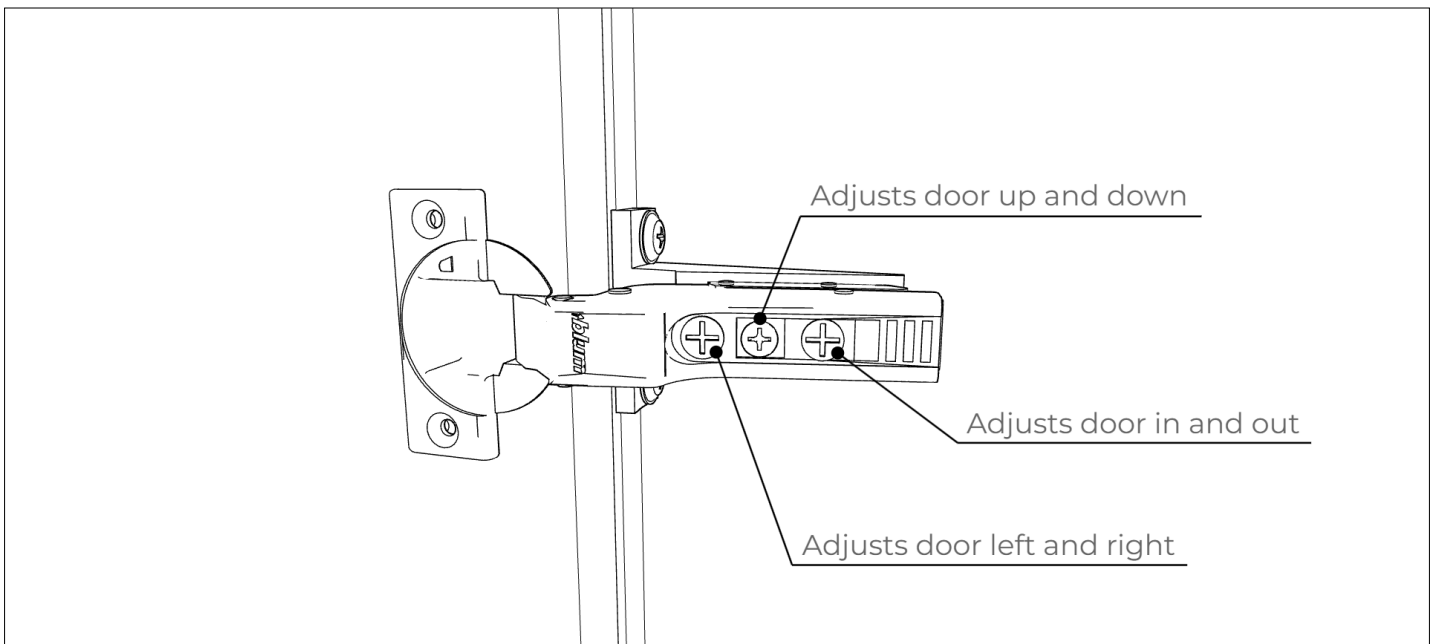
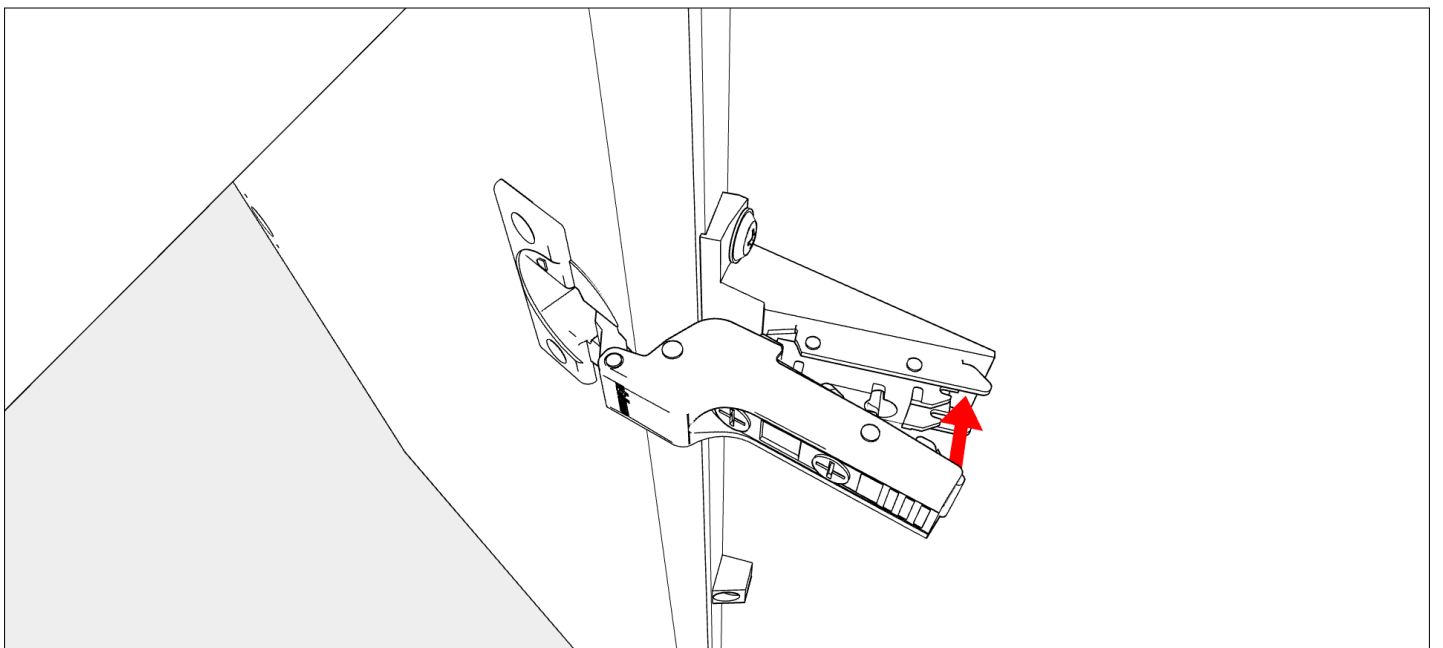
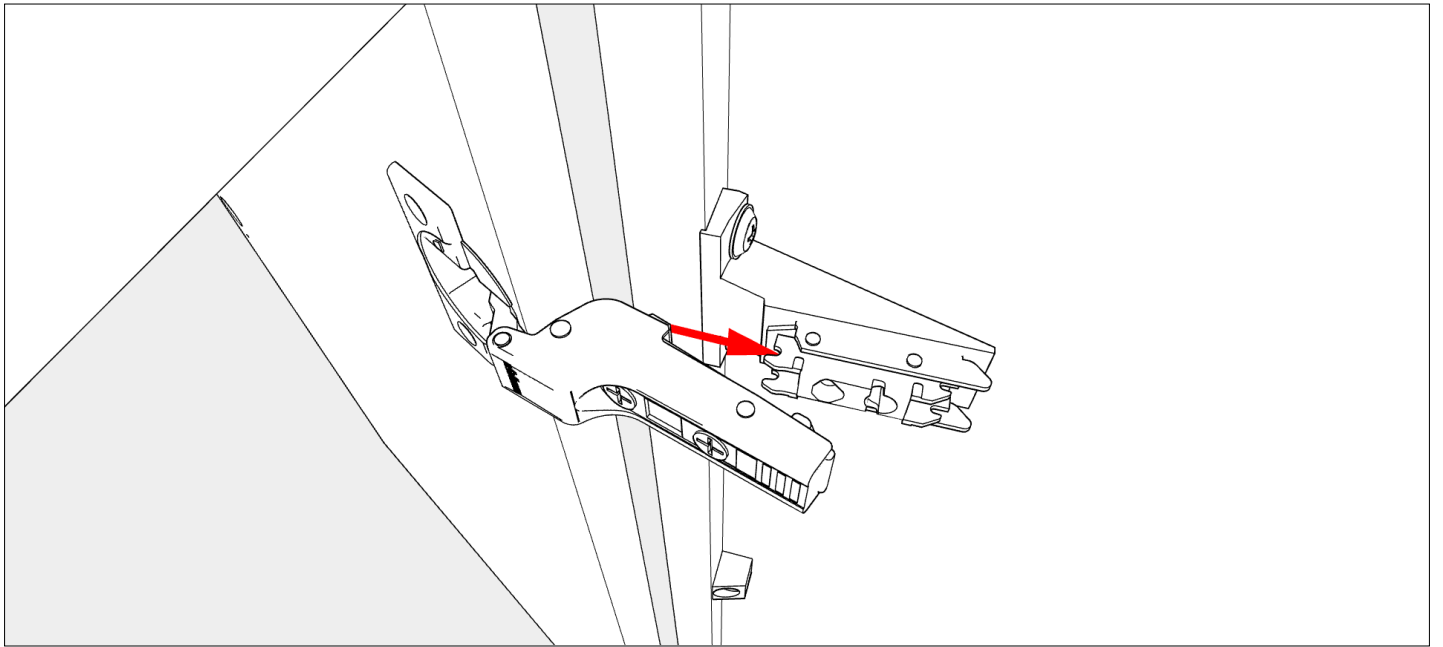


41

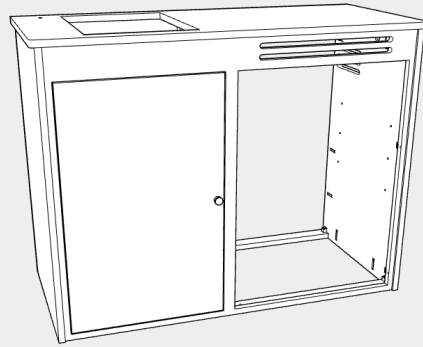


42





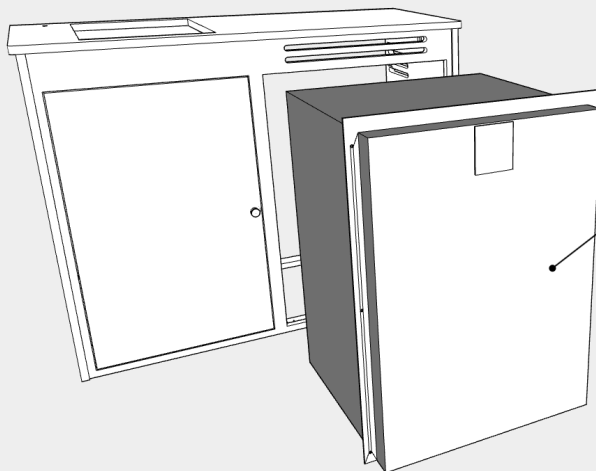
43



For Fridge Installation:
Proceed to the next step

For Installation Without Fridge:
Skip to step 46

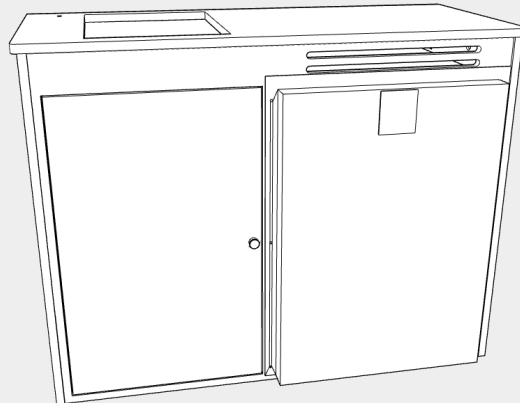
44



SUPPORTED MODEL:
ISOTHERM CRUISE 130

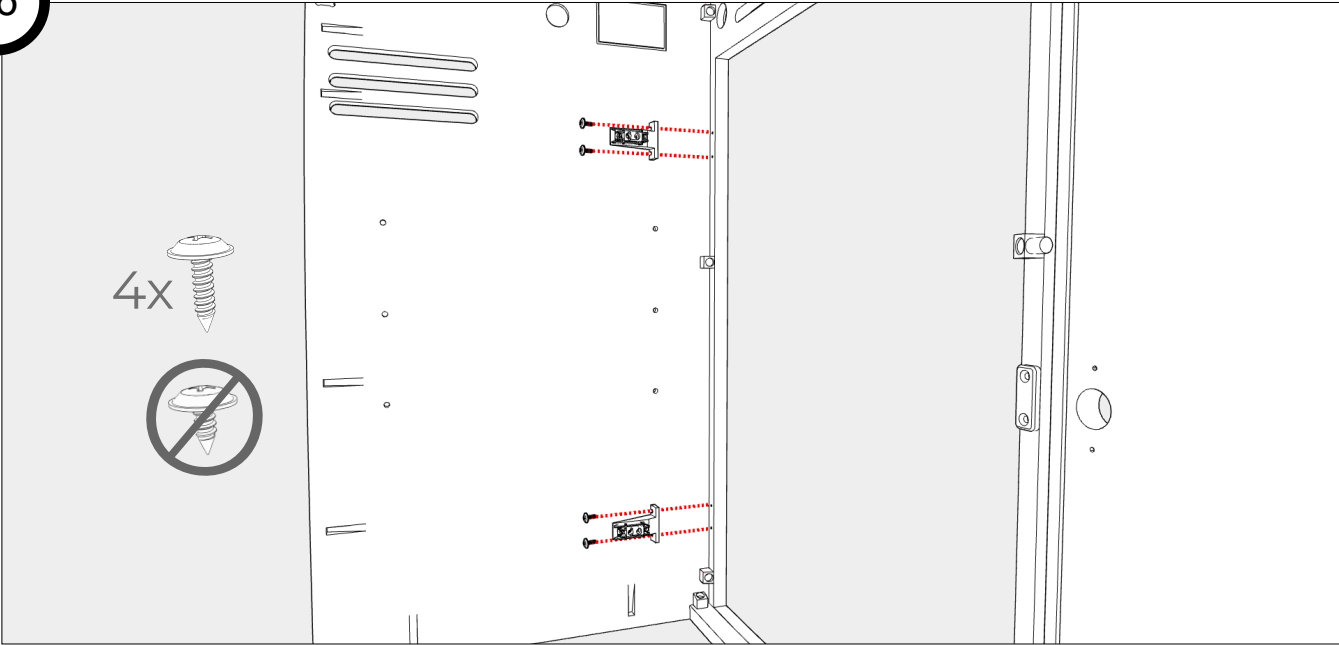
45

Please refer to manufacturer installation instructions for fridge,
should be installed with flange.

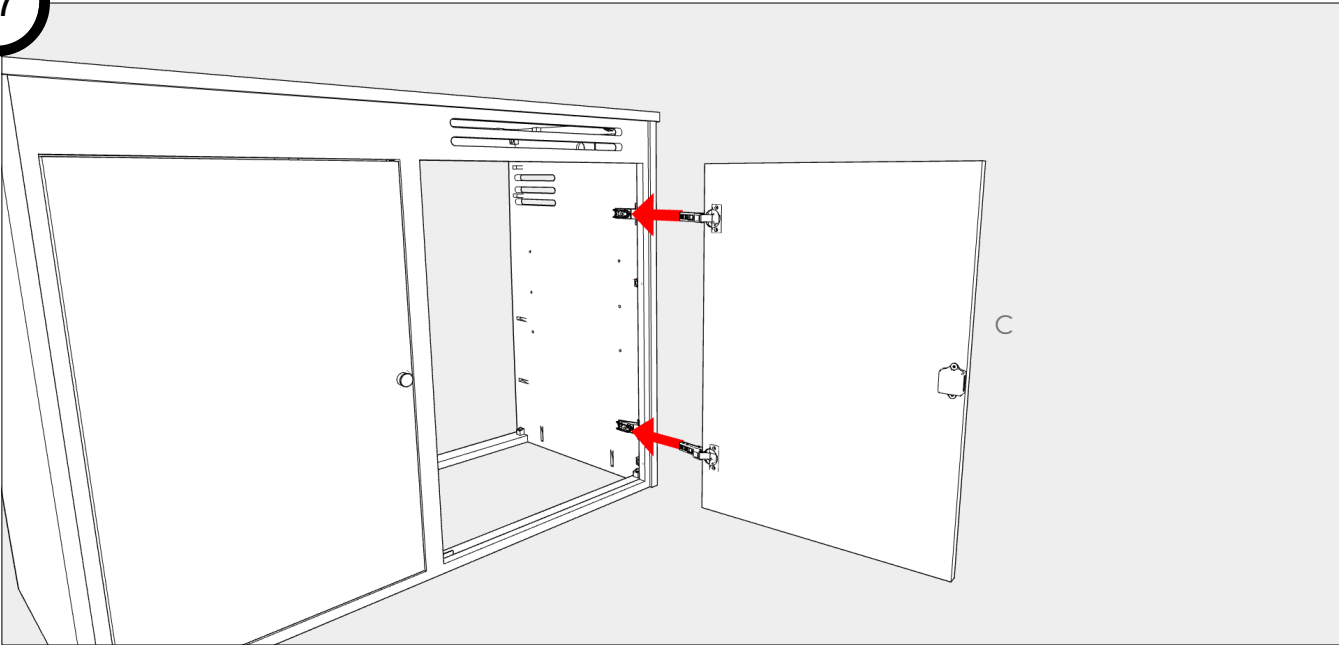


We recommend installing fridge after installing the galley in your van.
Skip to step 50 to continue

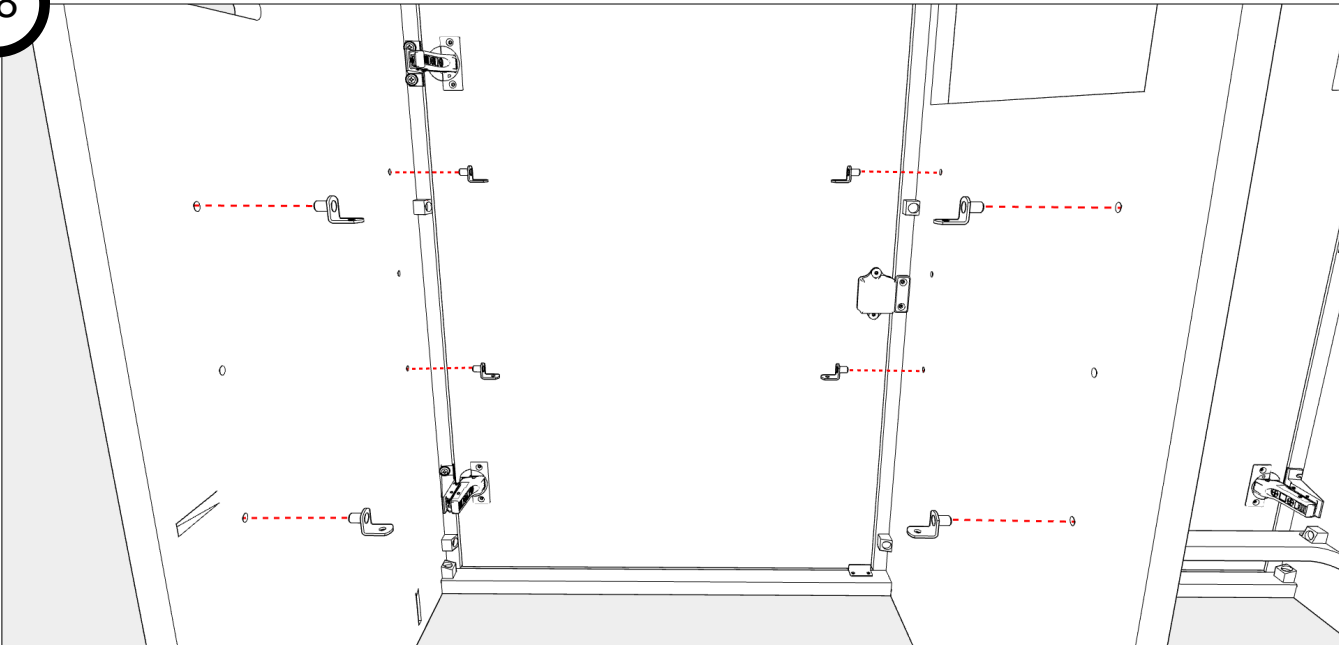
46



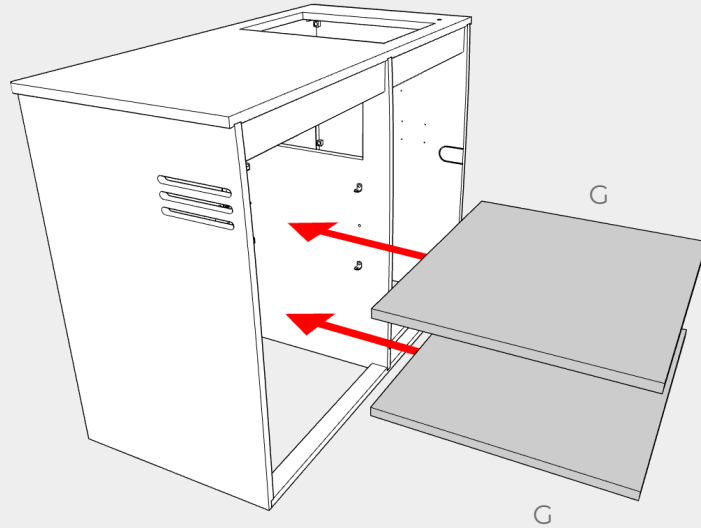
47



48

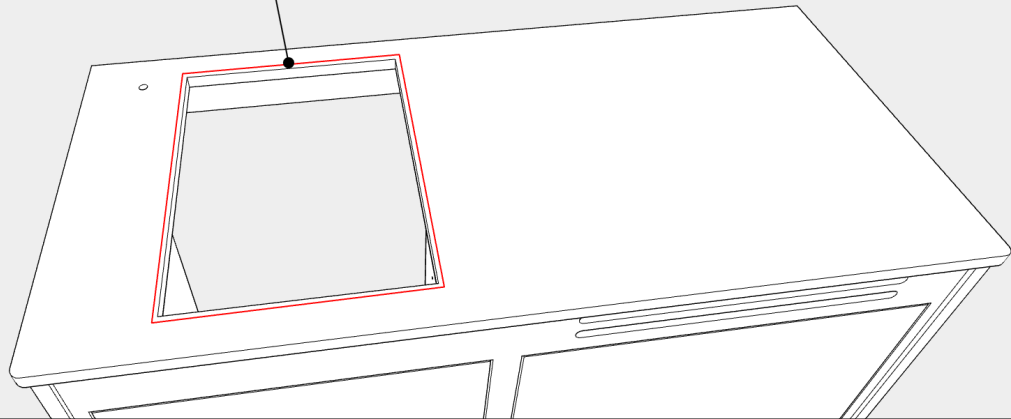


49

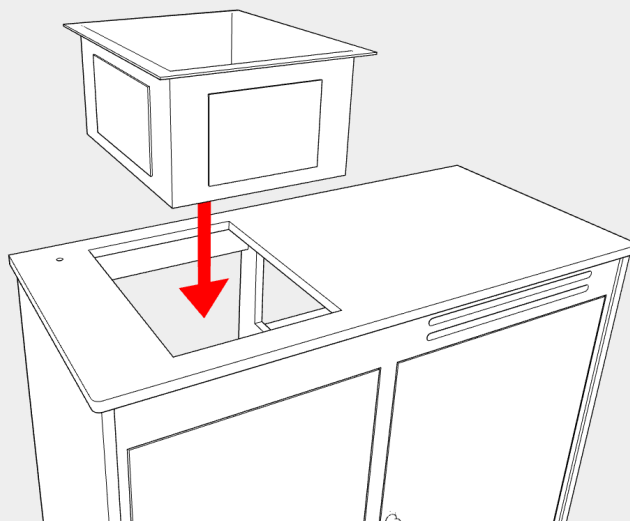


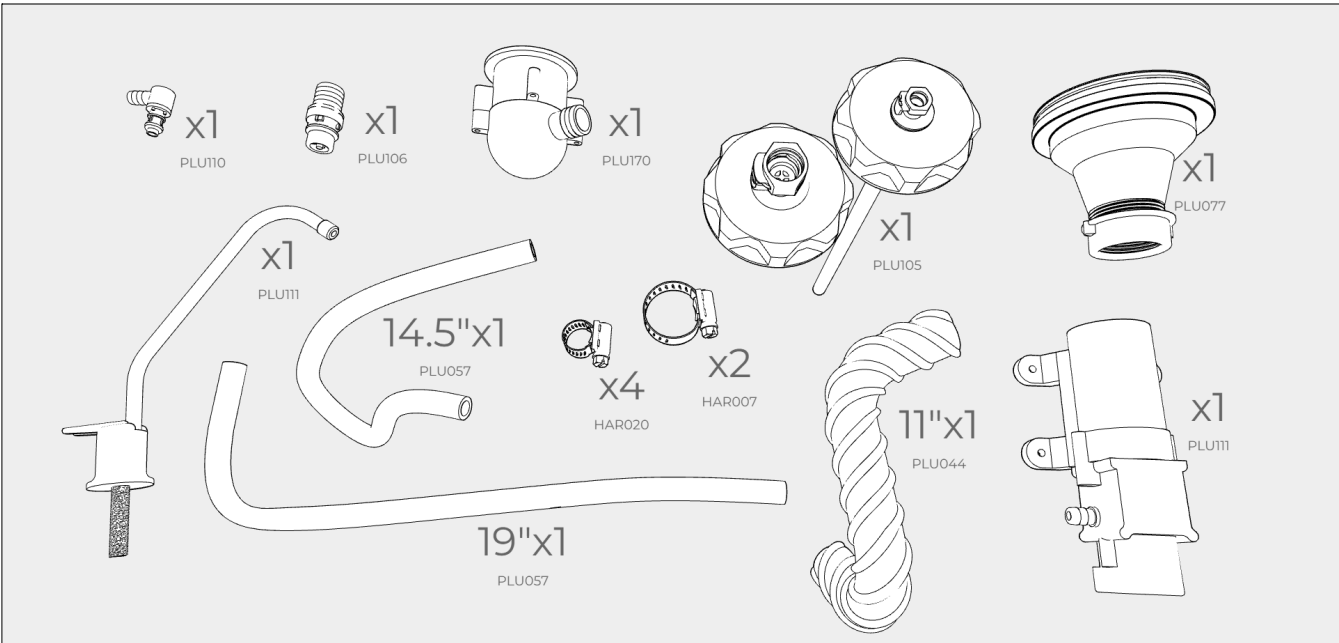
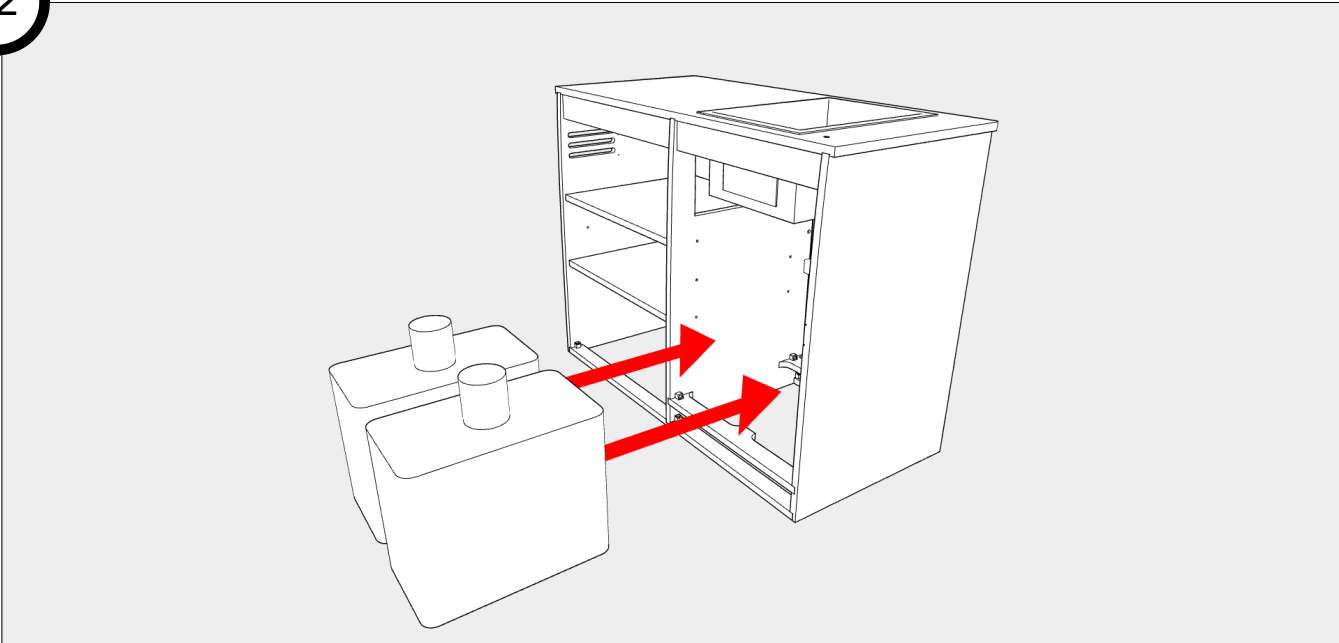
50

Apply a bead of silicone adhesive around countertop opening for sink installation, you may wish do this step after the faucet plumbing installation if you want the extra room



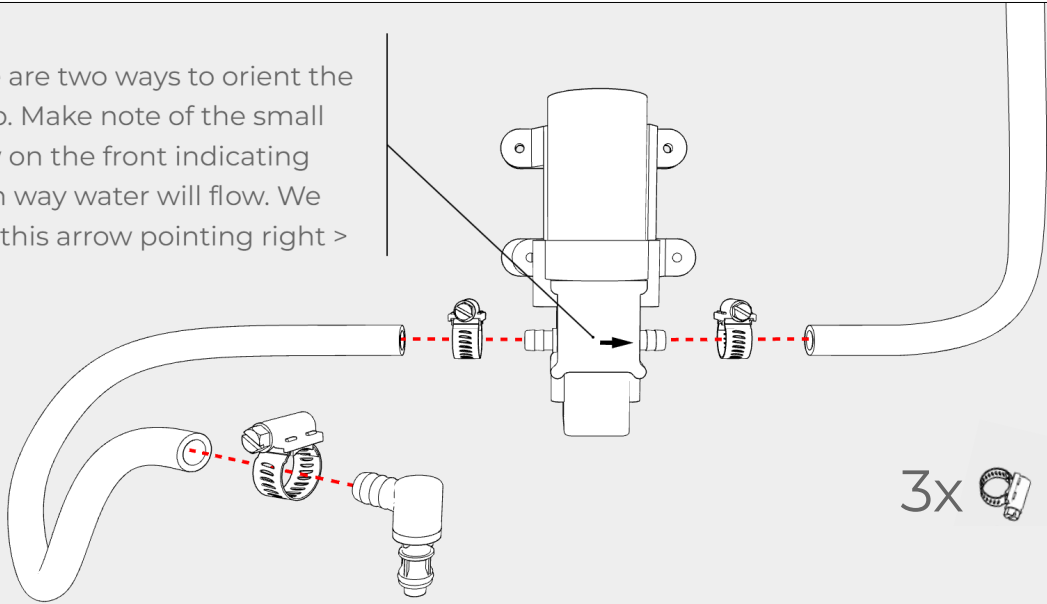
51





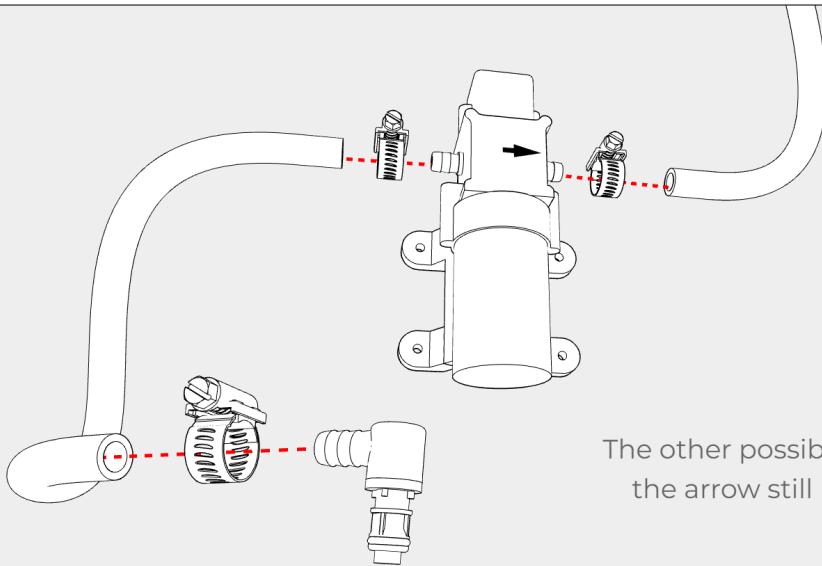
1

There are two ways to orient the pump. Make note of the small arrow on the front indicating which way water will flow. We want this arrow pointing right >

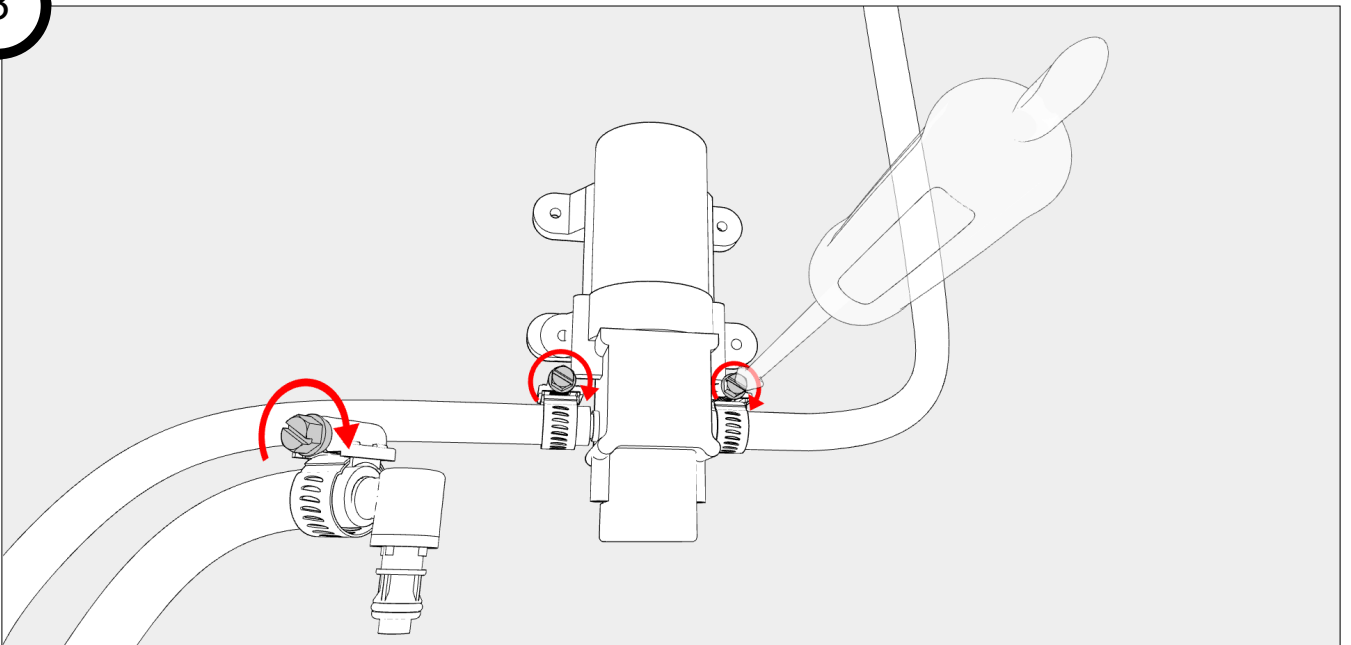


2

The other possible setup, note the arrow still points right

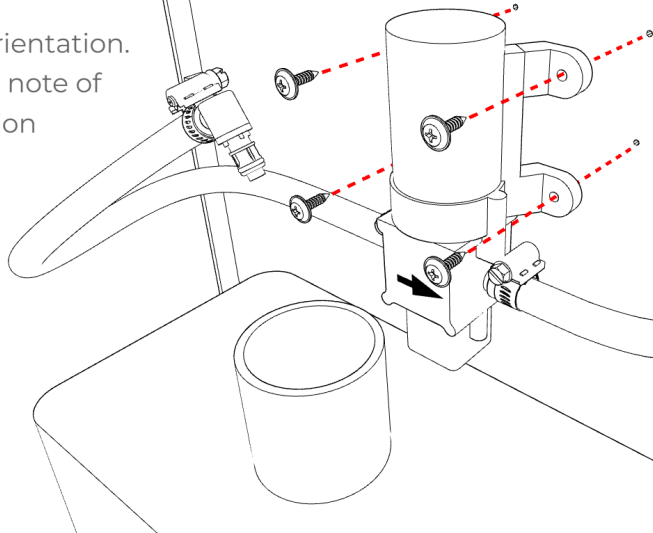


3



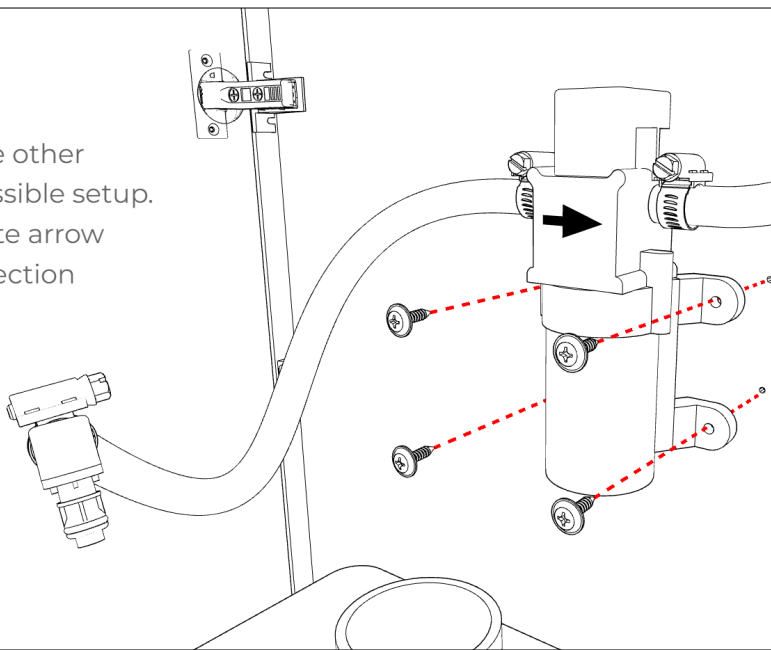
4

A possible orientation.
Again, make note of
arrow direction

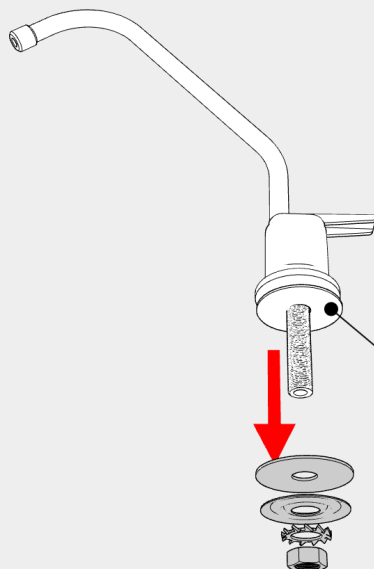


5

The other
possible setup.
Note arrow
direction

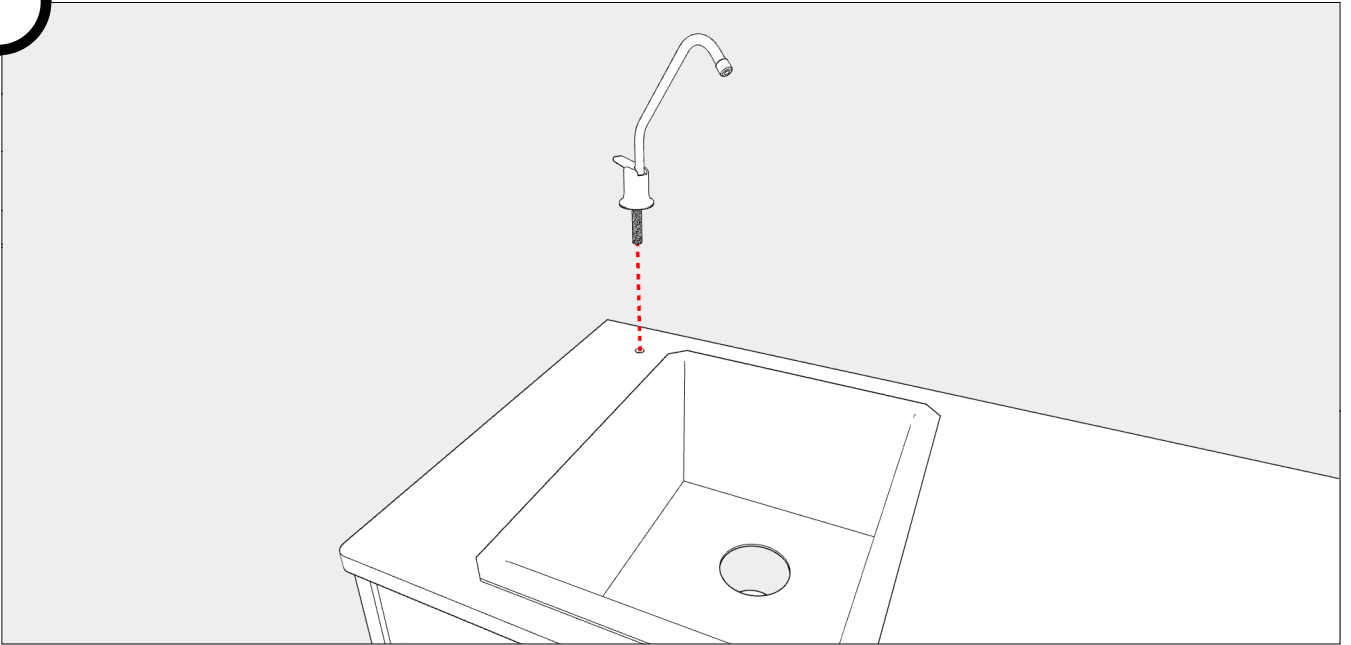


6

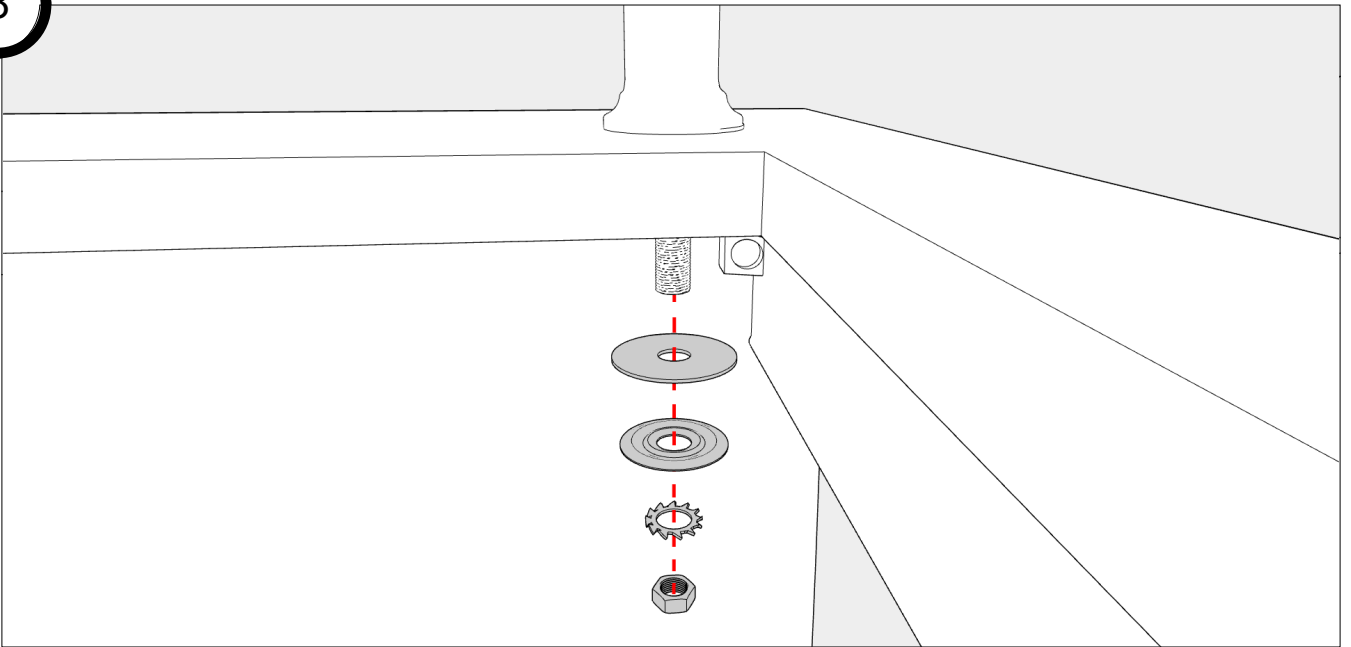


1x Gasket Washer stays

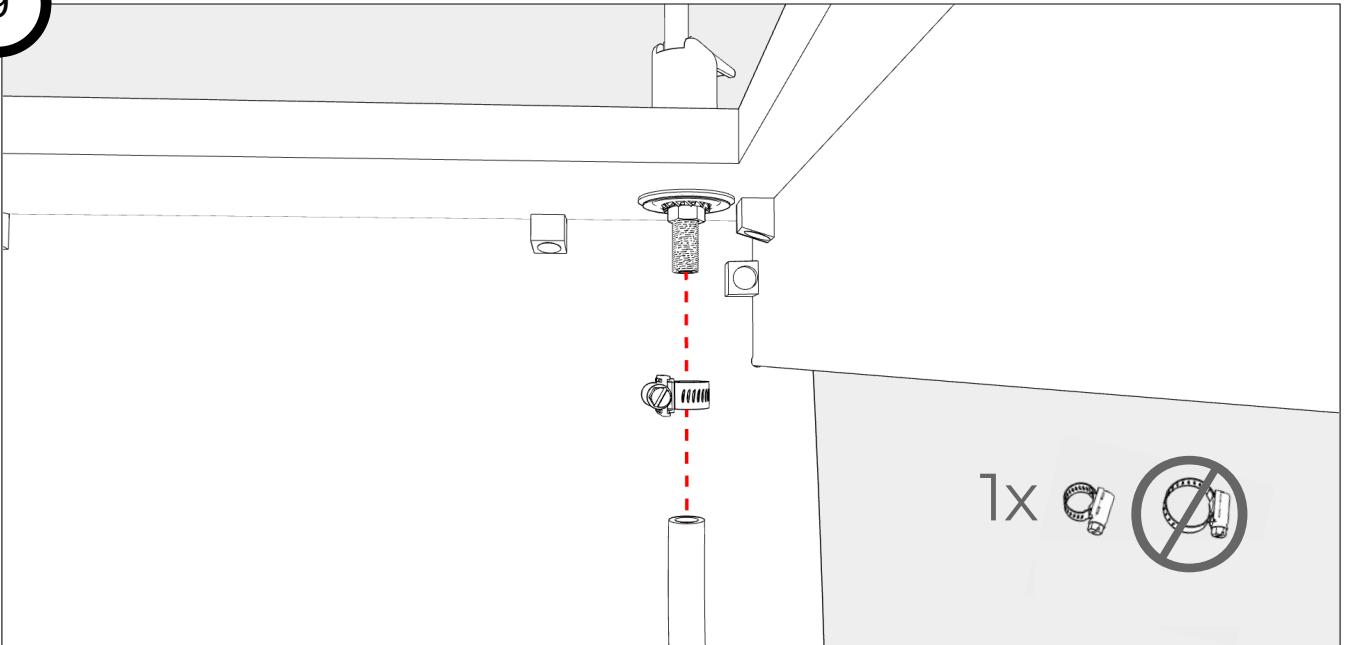
7



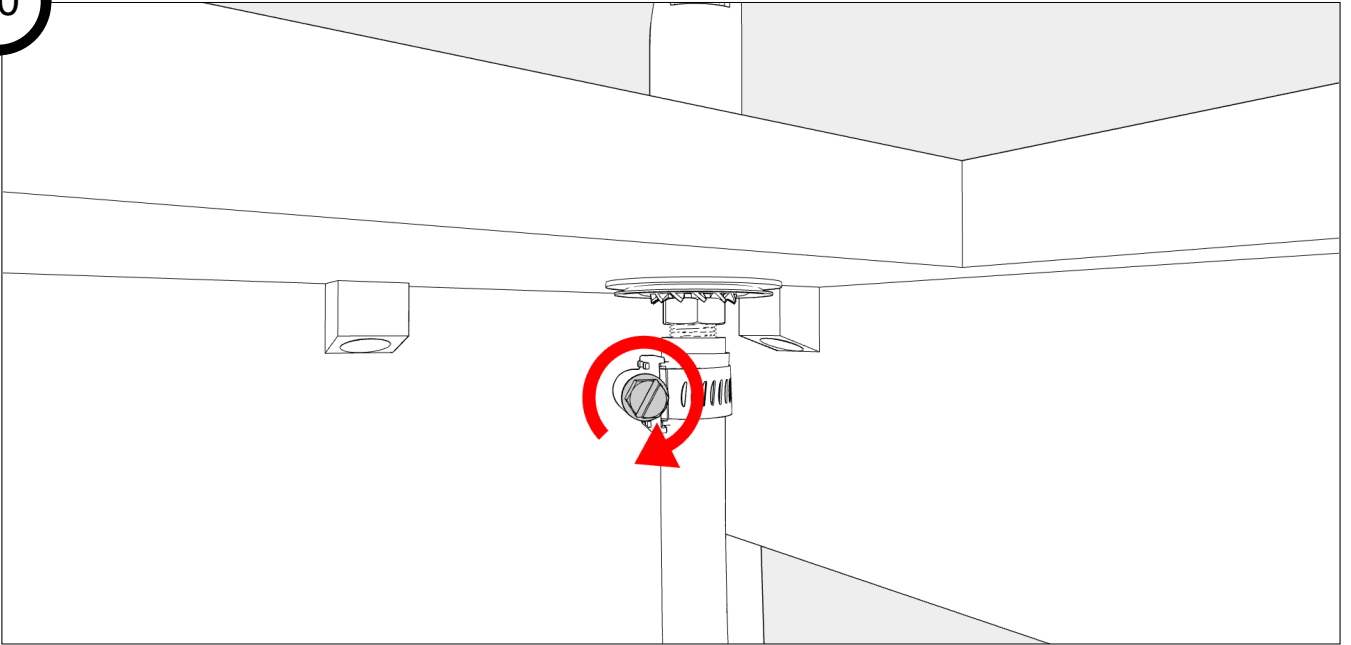
8



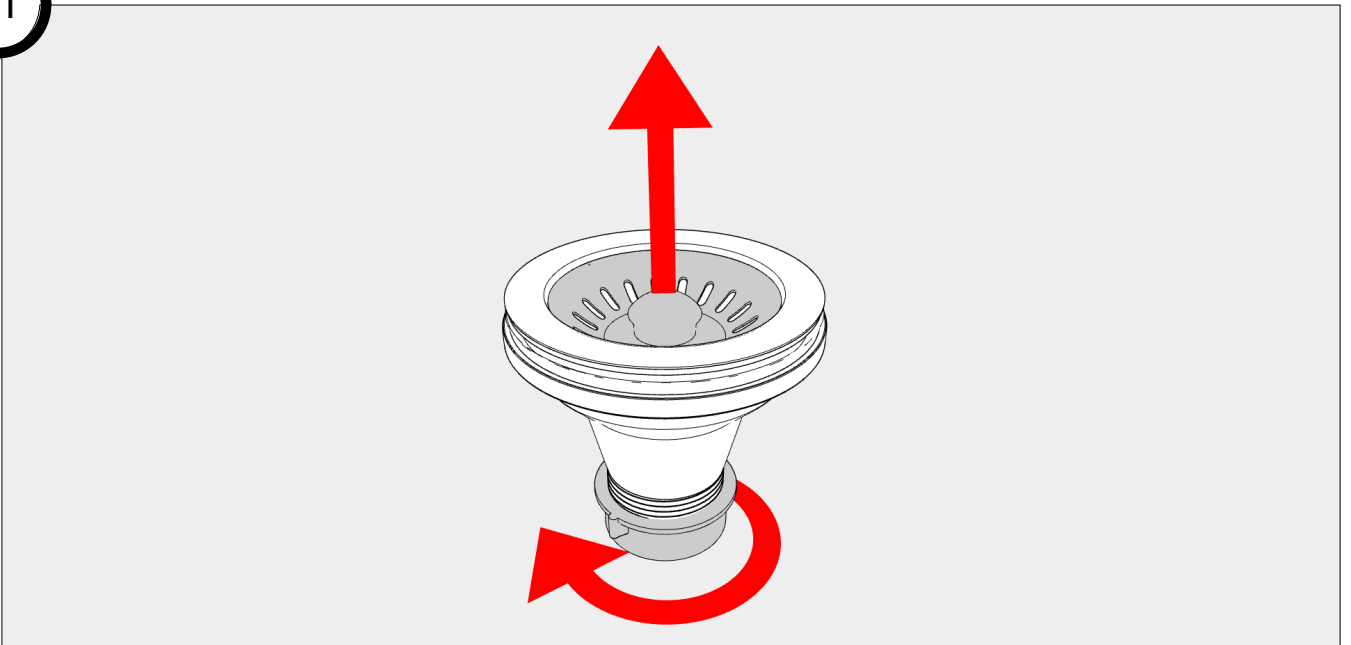
9



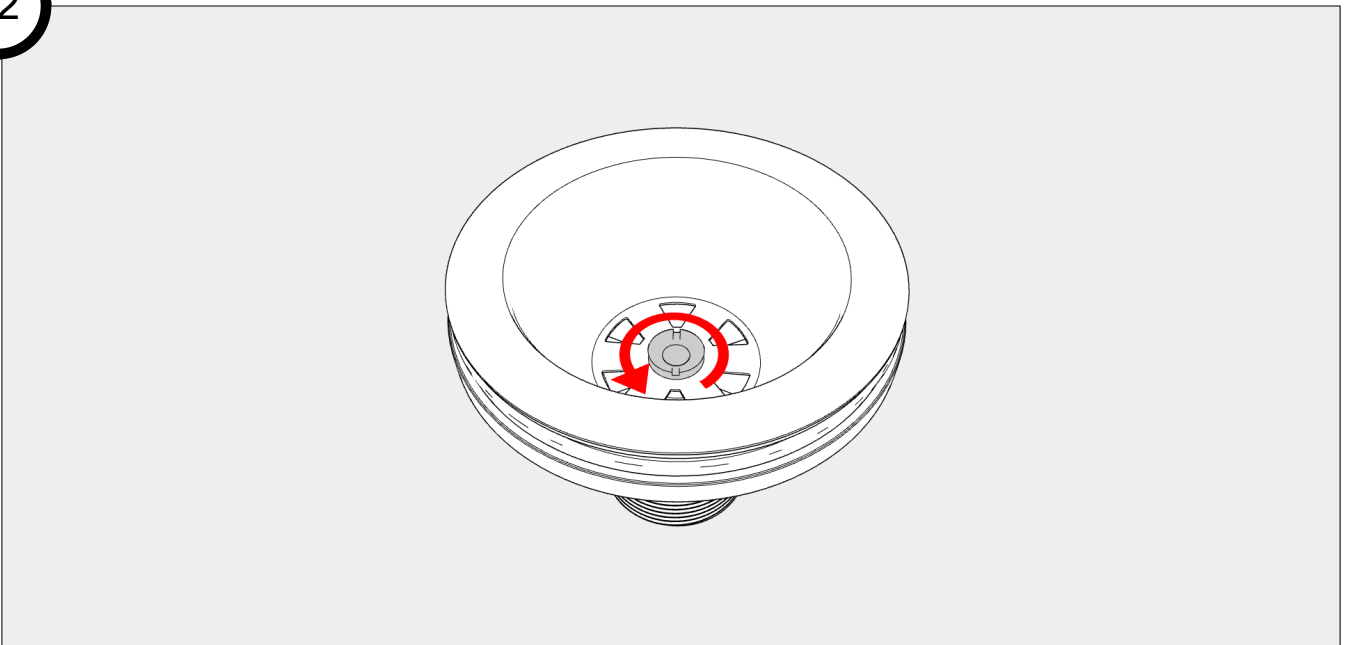
10



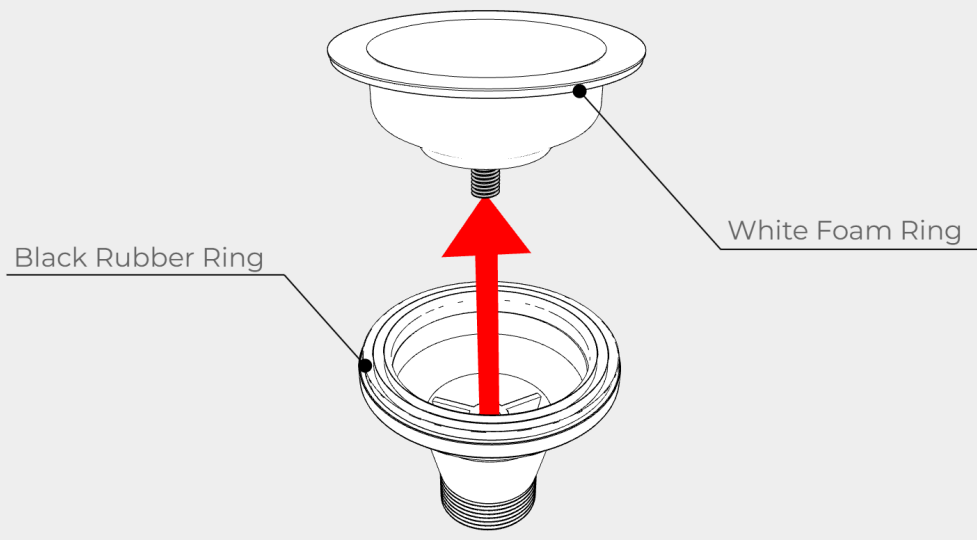
11



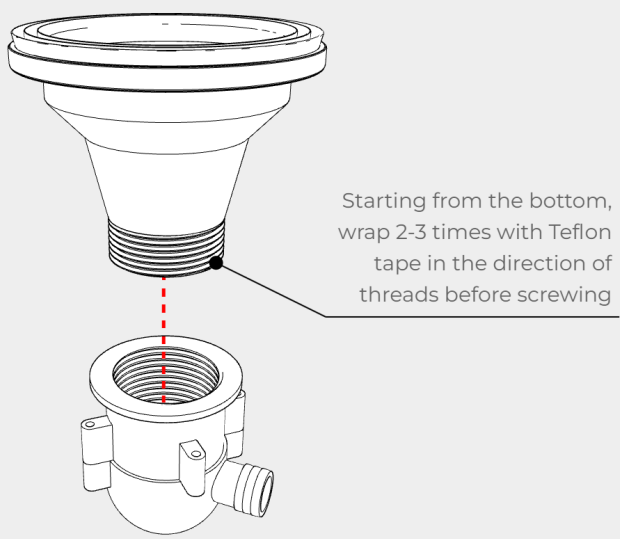
12



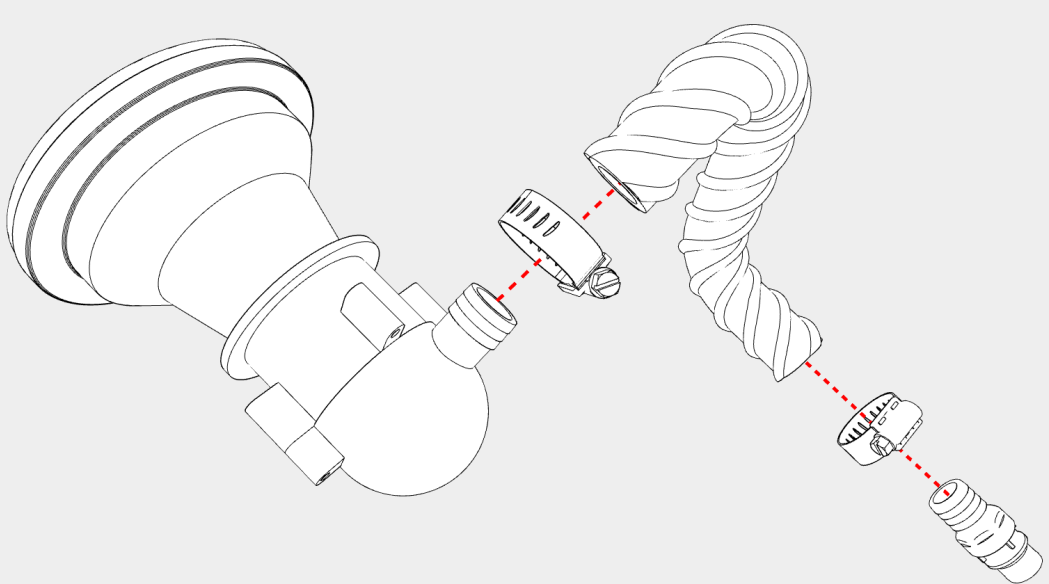
13



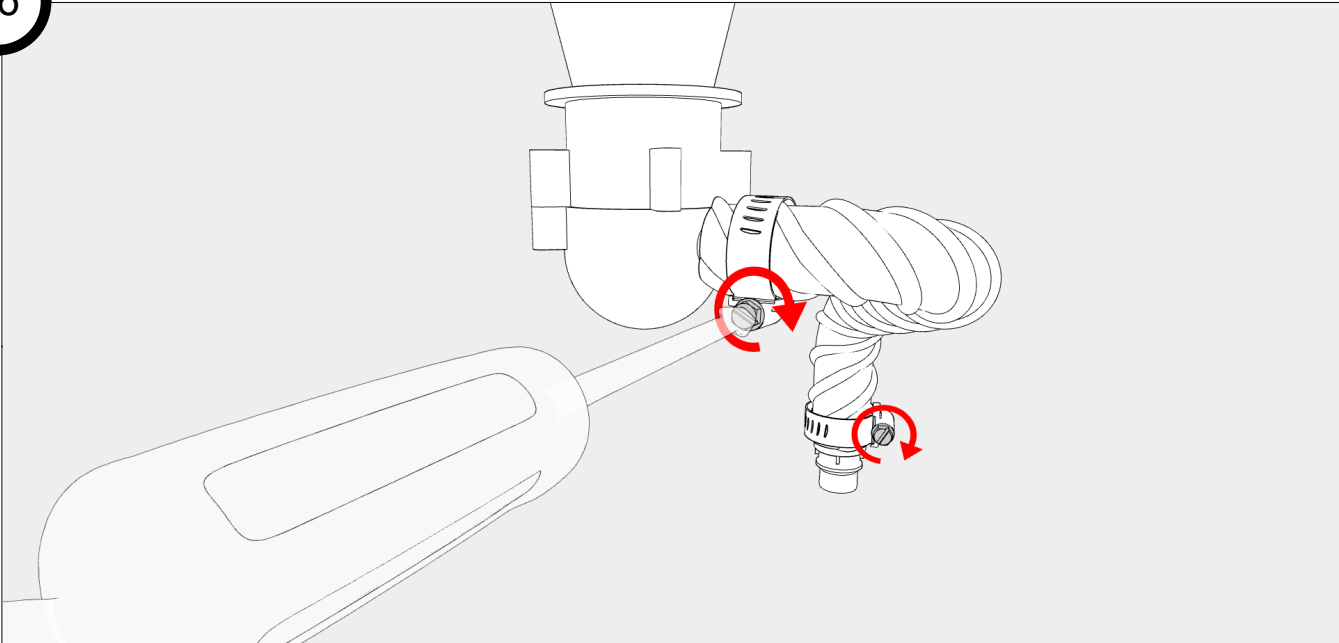
14



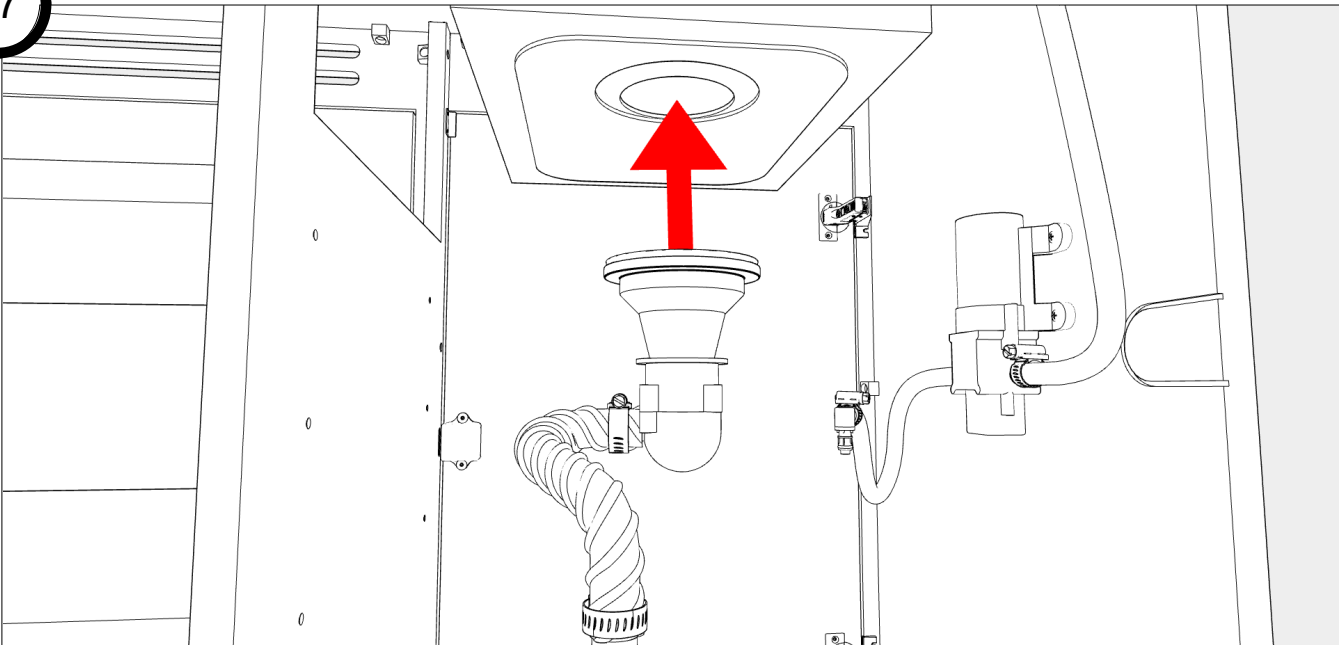
15



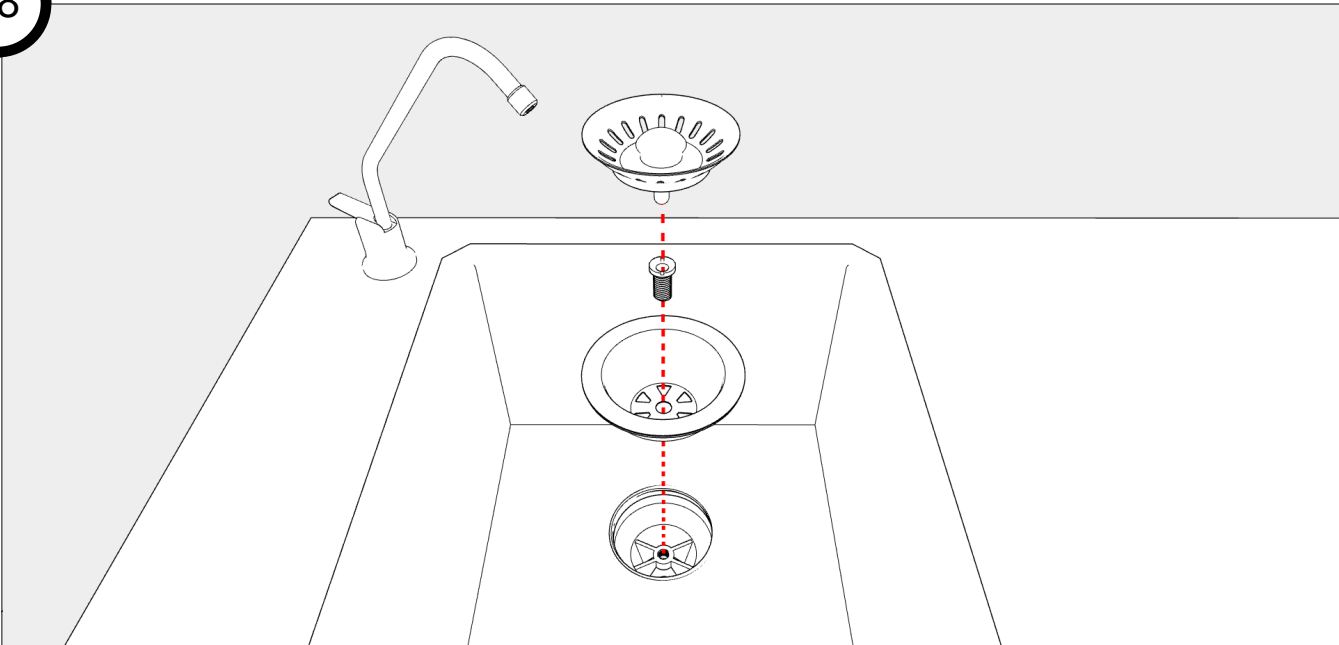
16



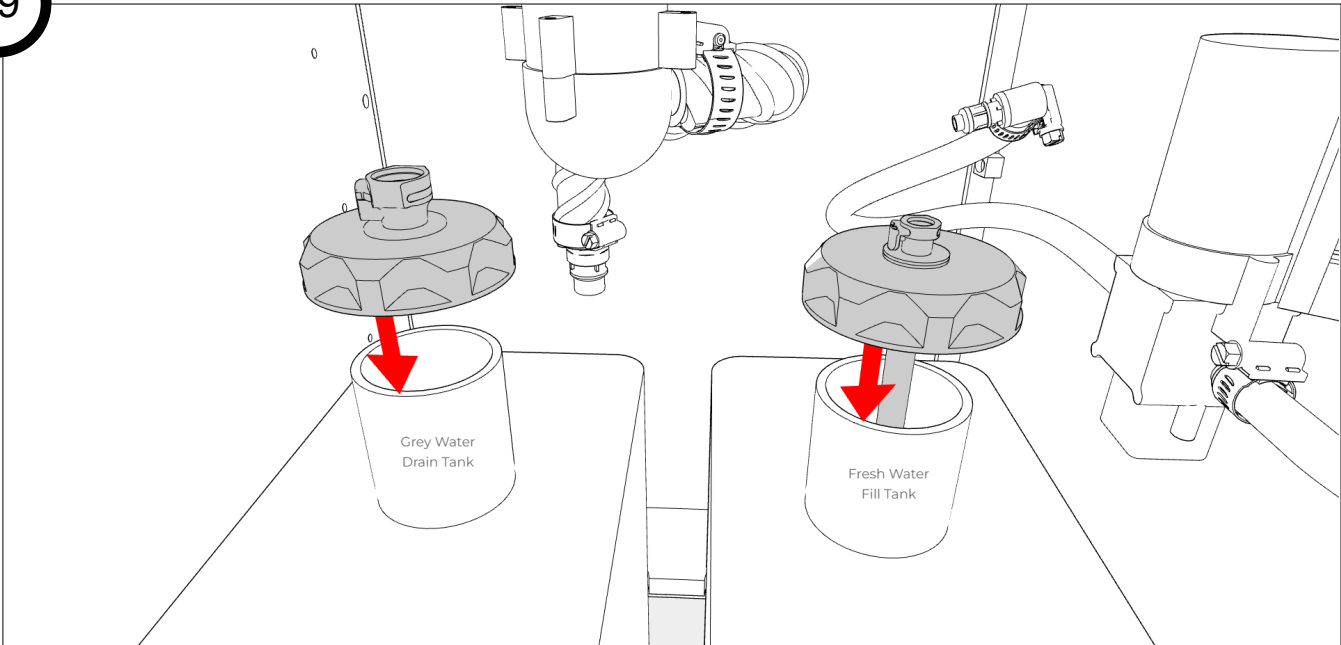
17



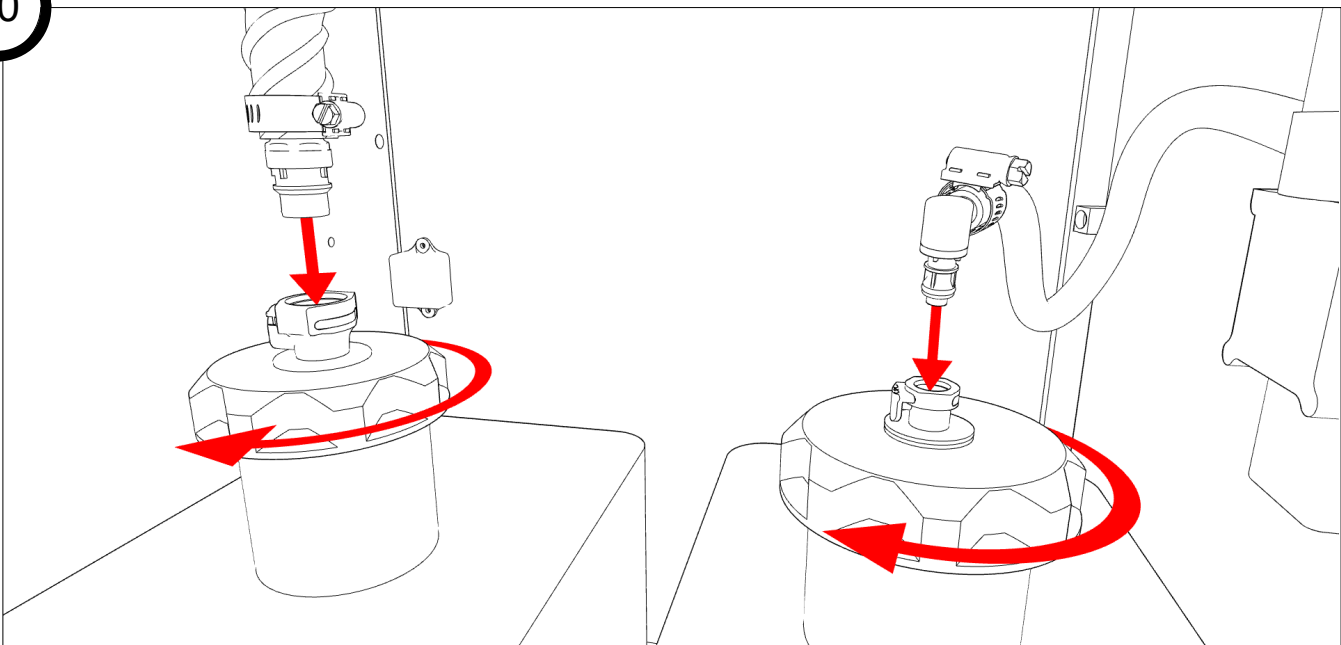
18



19

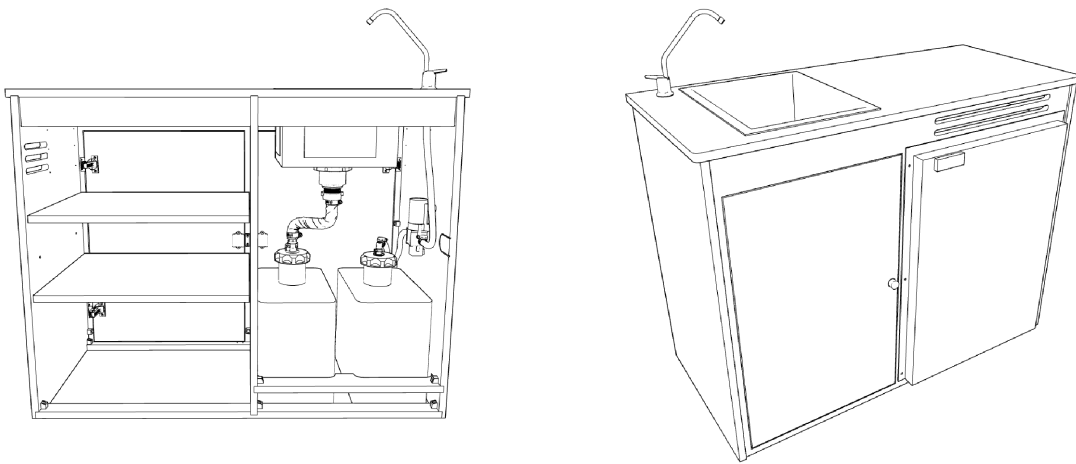


20



TIMBER

Galley Cabinet Assembly Complete
Congratulations!



We'd love to see your finished wood cabinet in its new home! Share your photos on social media using the hashtag #TimberVanKits, and don't forget to tag us. Your creations inspire us, and we believe they will inspire others too.

Thank you once again for choosing Timber Van Kits. Your dedication and craftsmanship have brought our product to life, and we look forward to being a part of your future adventures!

[TIMBERVANKITS.COM](https://www.timbervankits.com) • 720-282-5075

Have a question or issues with your product? Feel free to call us or send a message via the [contact page](#) on our website. If you call us and we can't get to the phone please leave us a message and we'll get back to you as soon as we can.

 [facebook.com/timbervankits](https://www.facebook.com/timbervankits)

 [instagram.com/timbervankits](https://www.instagram.com/timbervankits)