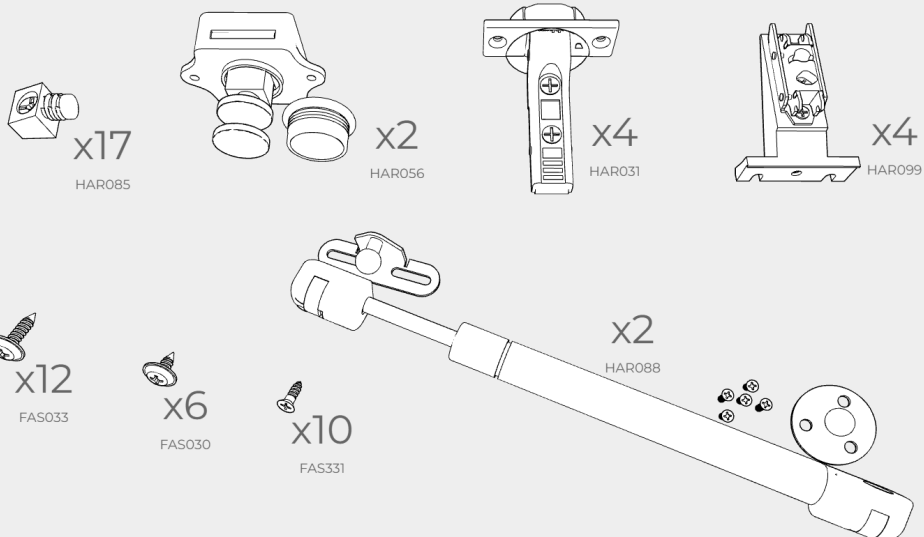
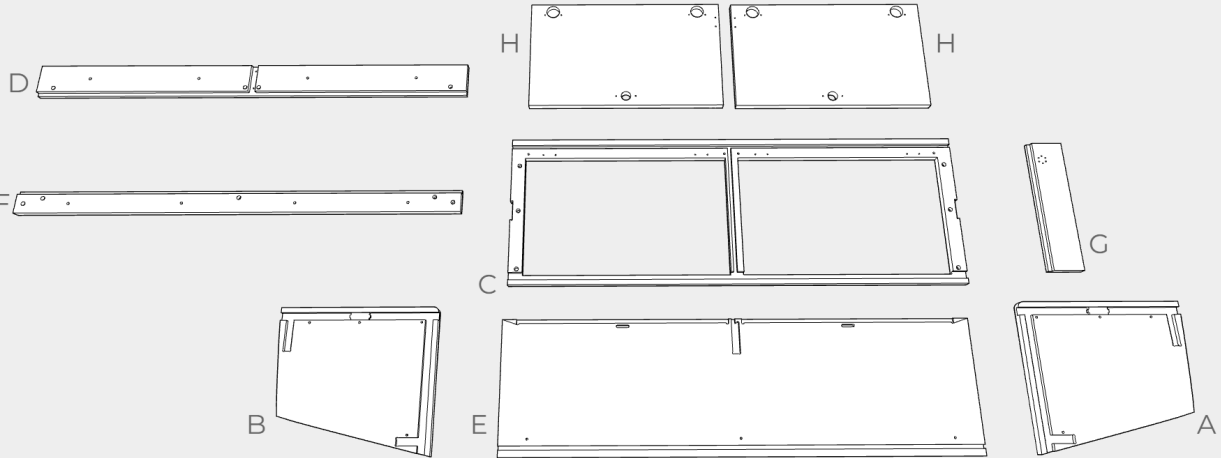
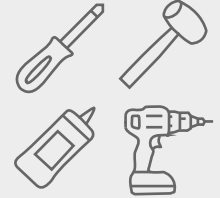
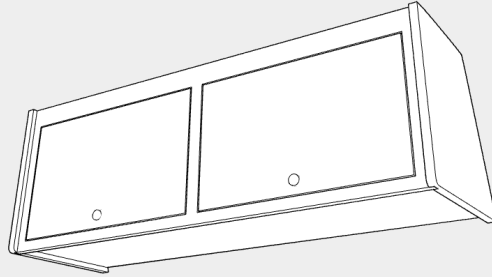


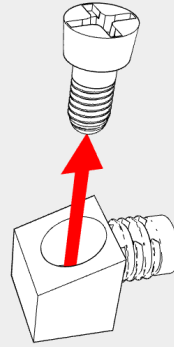
# DIY OVERHEAD DOUBLE CABINET

# TIMBER



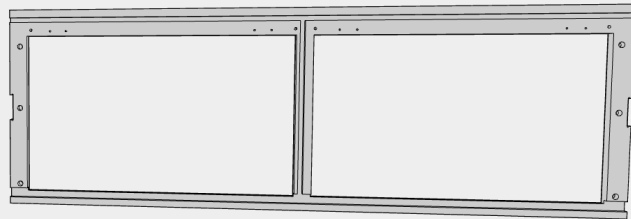
1

Remove and set aside the screws from all cab fasteners, These screws will be installed after installation of the cab fasteners.

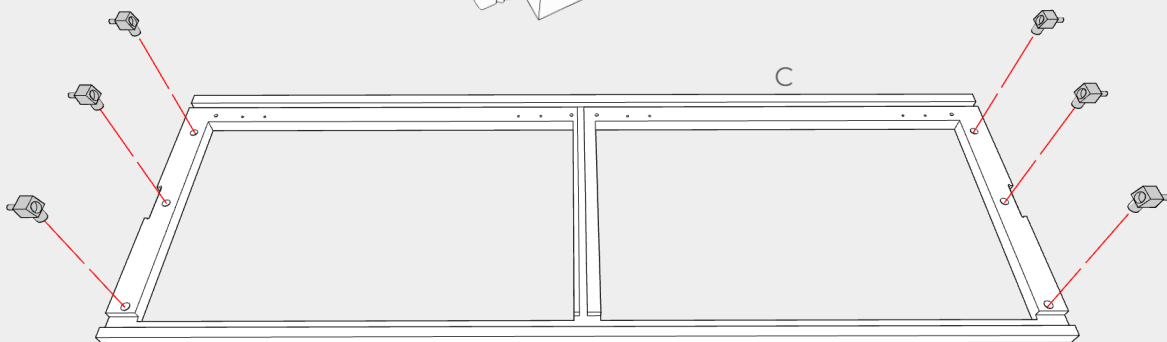
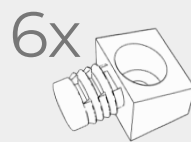


2

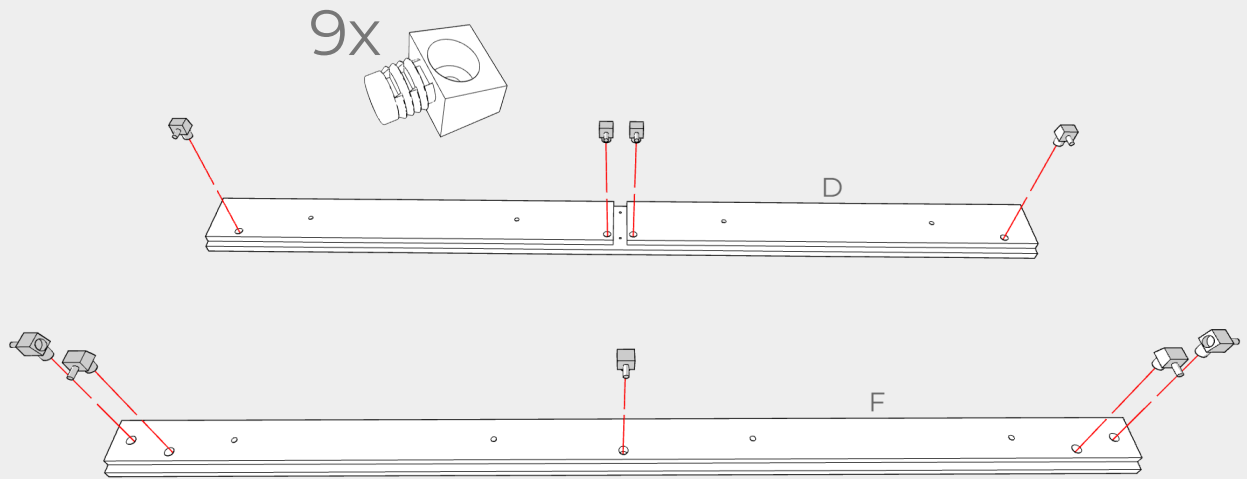
Before assembling:  
sand all holes, channels, edges and faces of wood panels to remove imperfections and achieve a smooth finish. This will help the pieces fit together cleanly. The more time spent sanding, the better the end result will be.



3

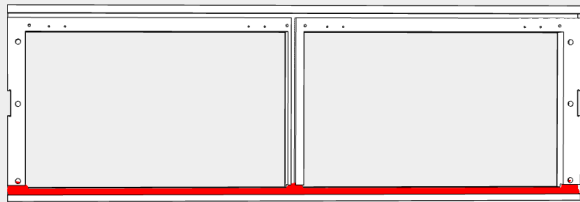


4

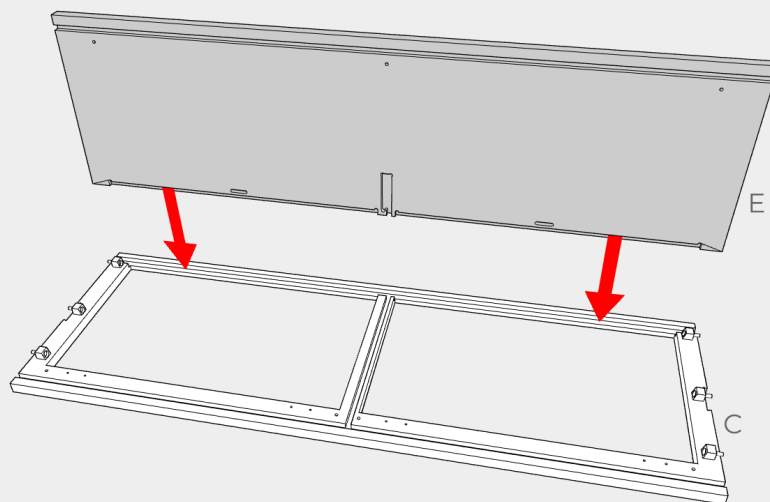


5

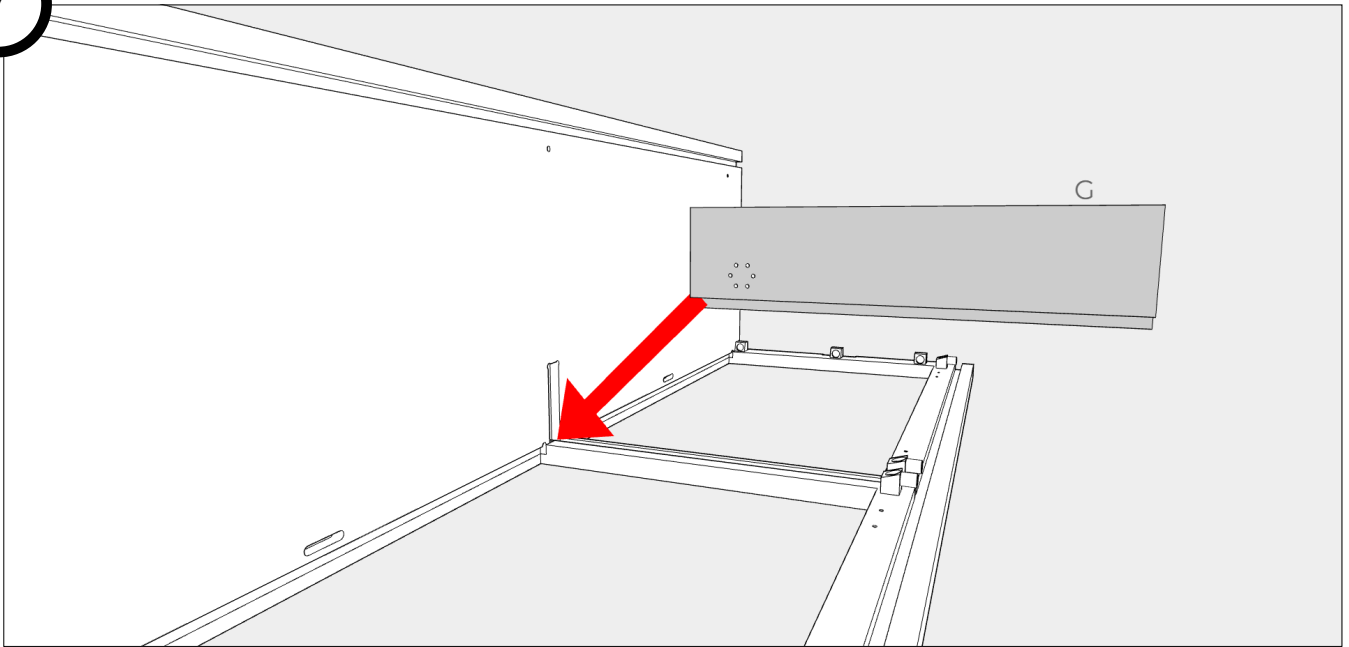
Note: We recommend dry-fitting wood panels before gluing to check the fit. Apply wood glue to channels where wood panels joint just before attaching. Repeat this for all wood joint pieces as you progress through your assembly.



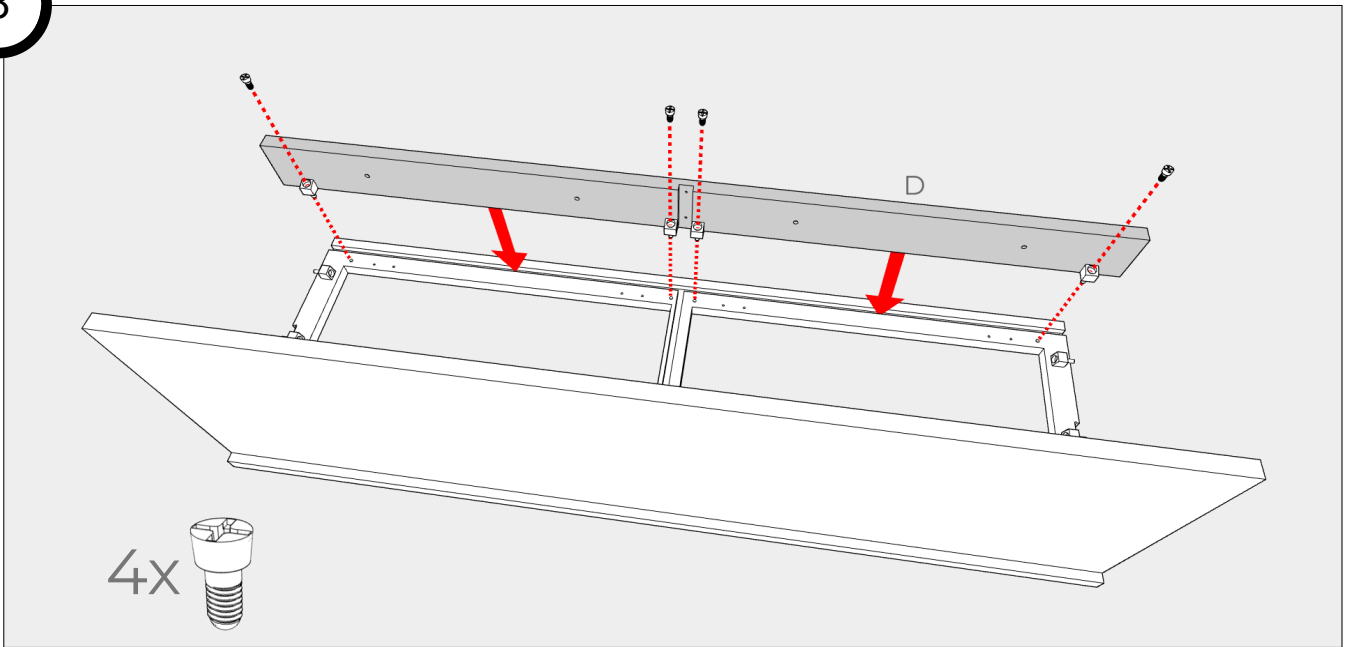
6



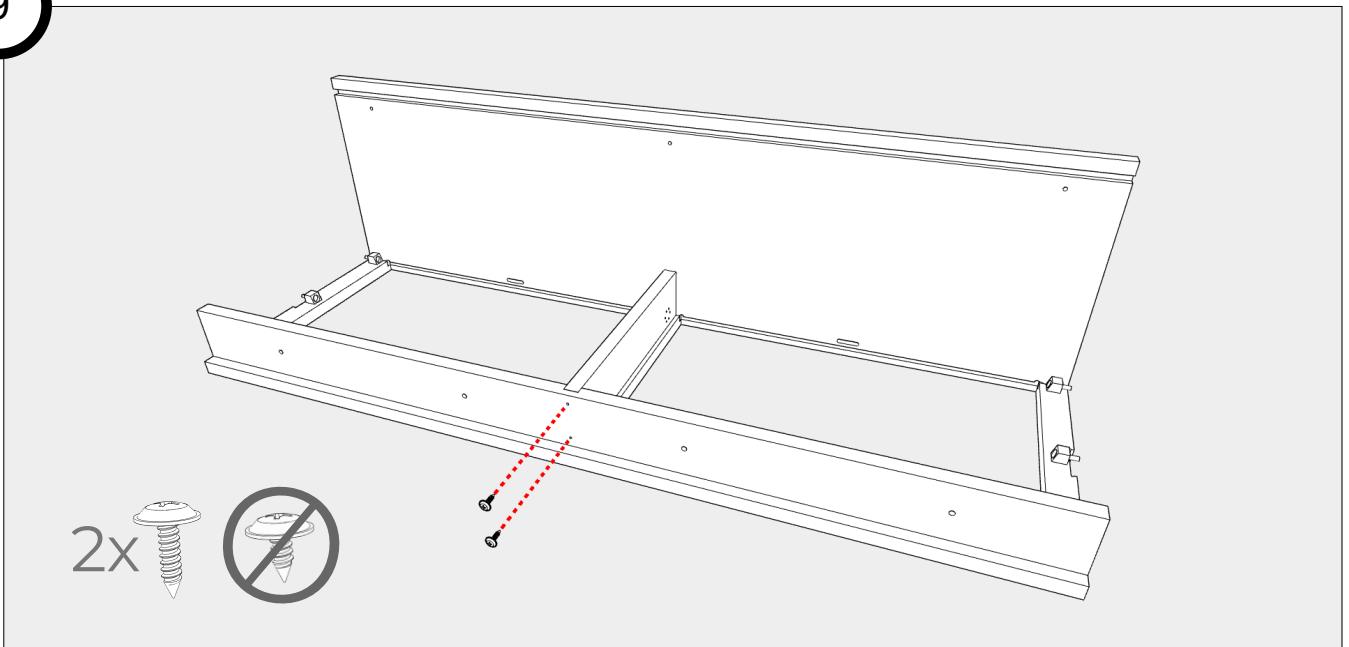
7



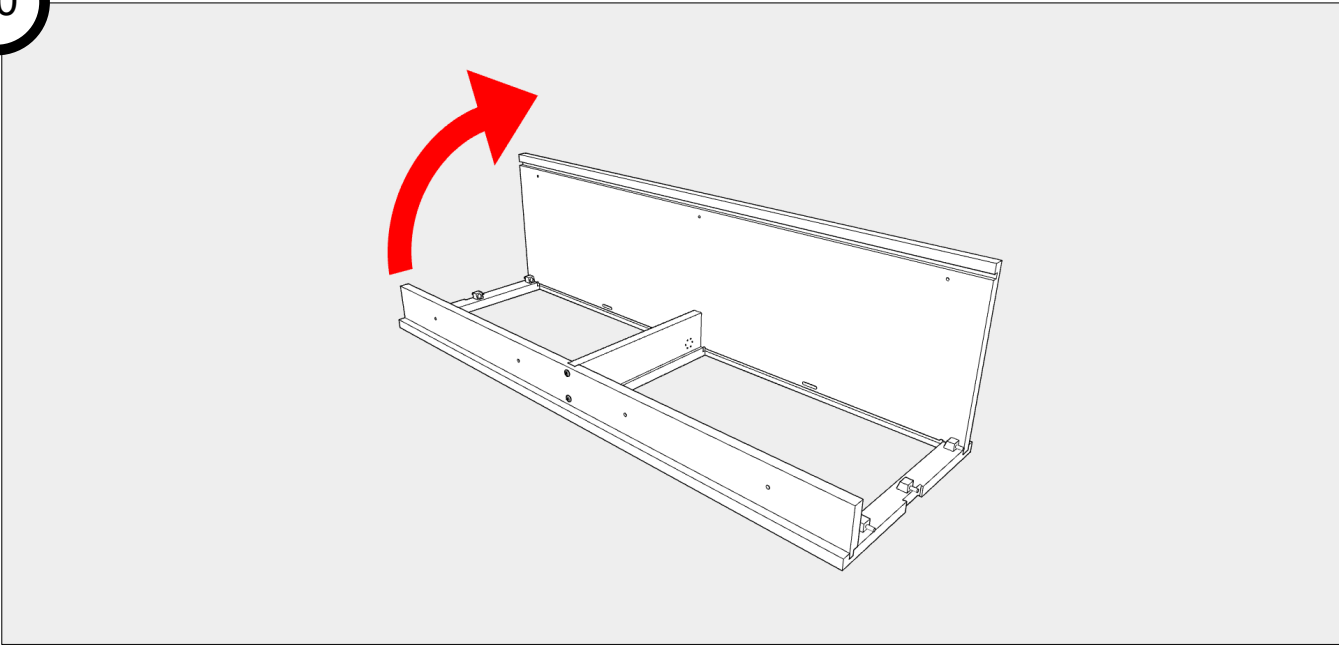
8



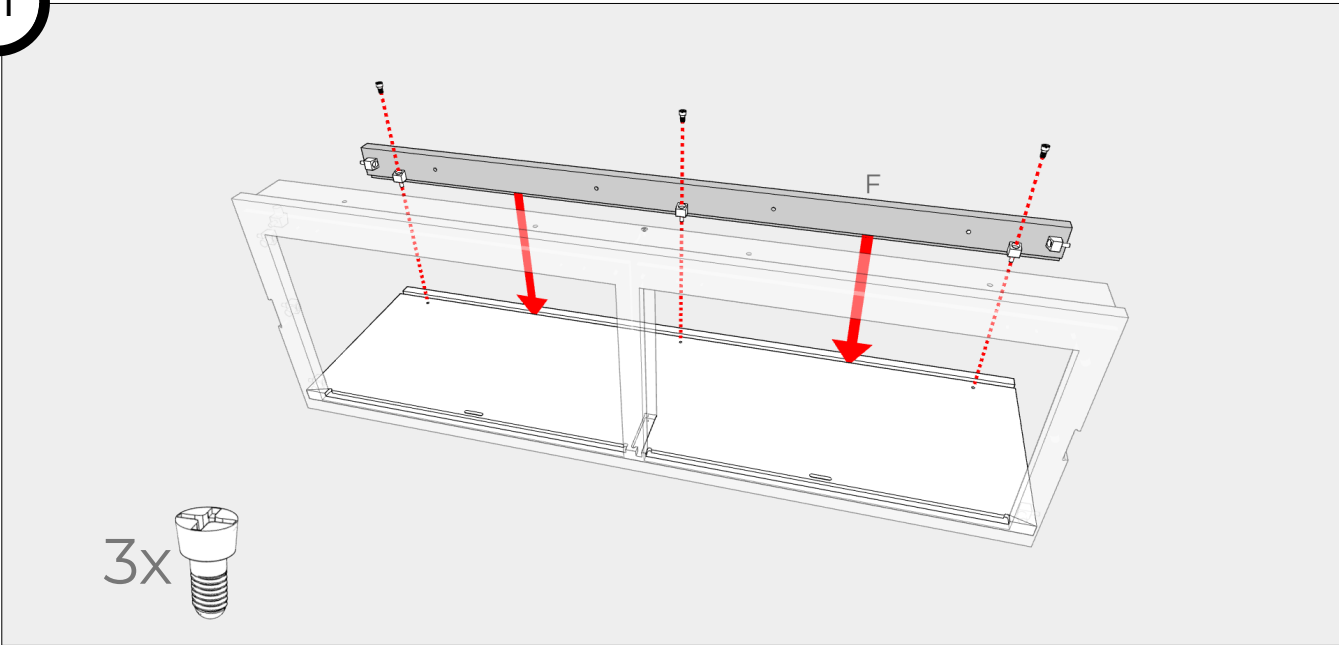
9



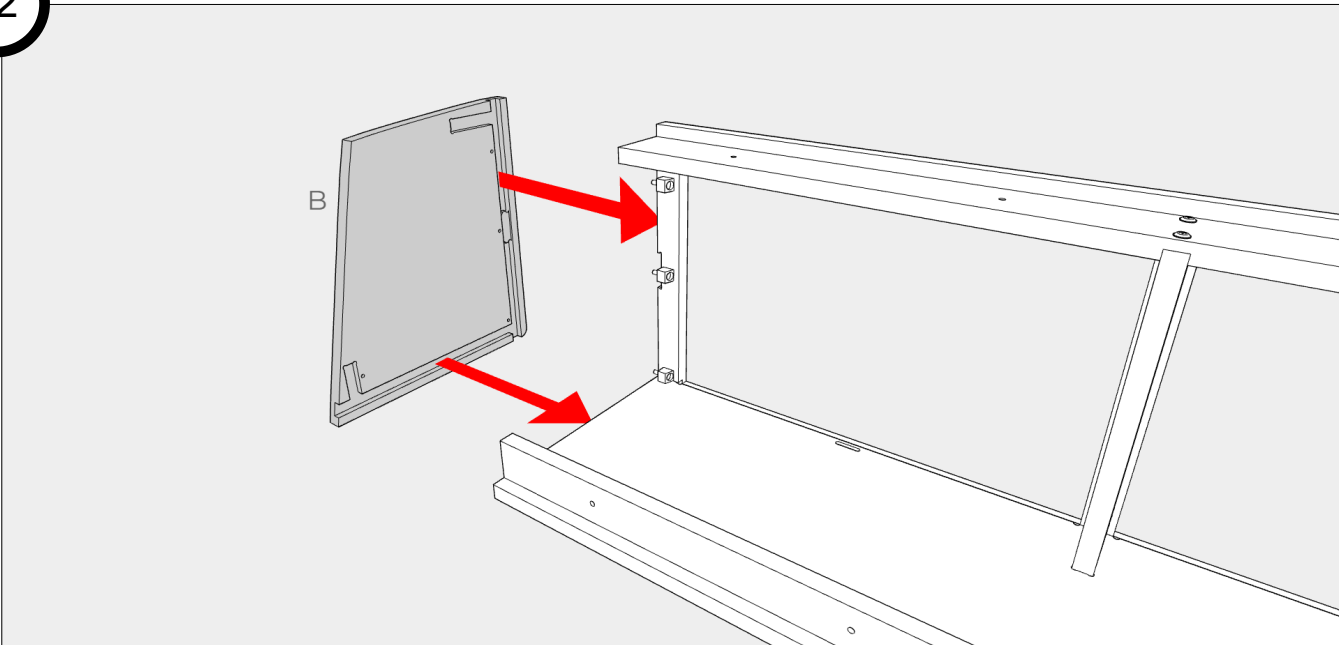
10



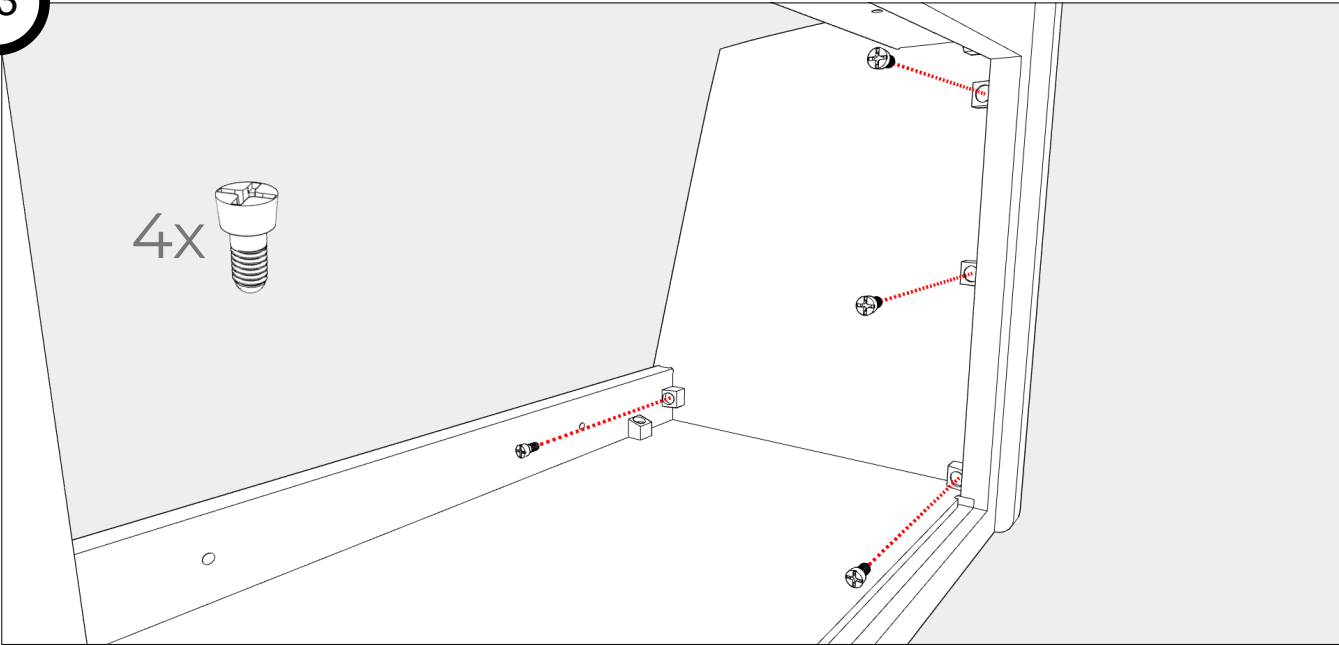
11



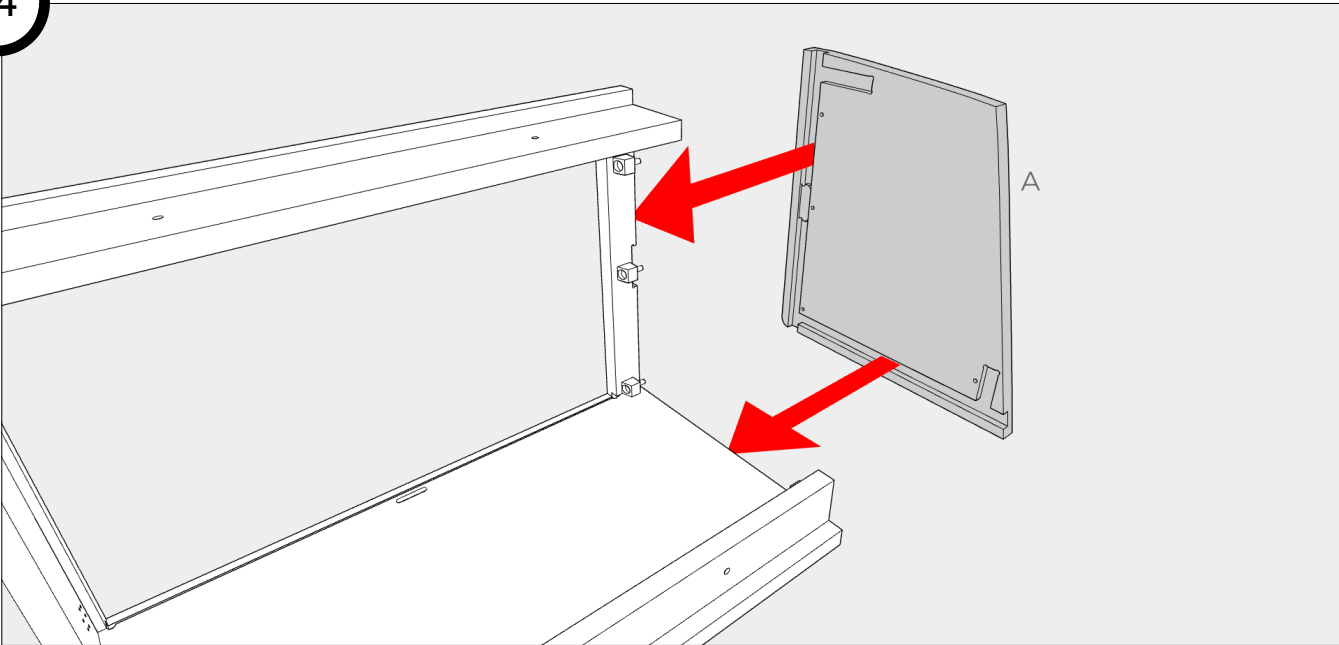
12



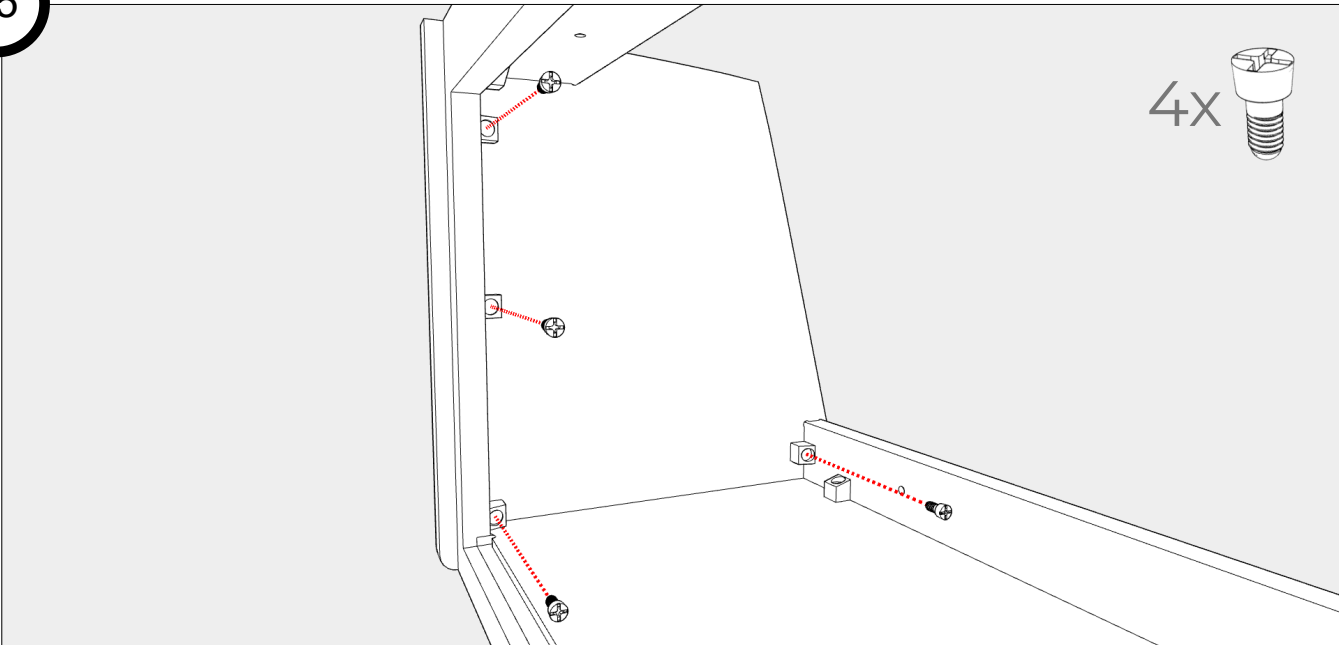
13



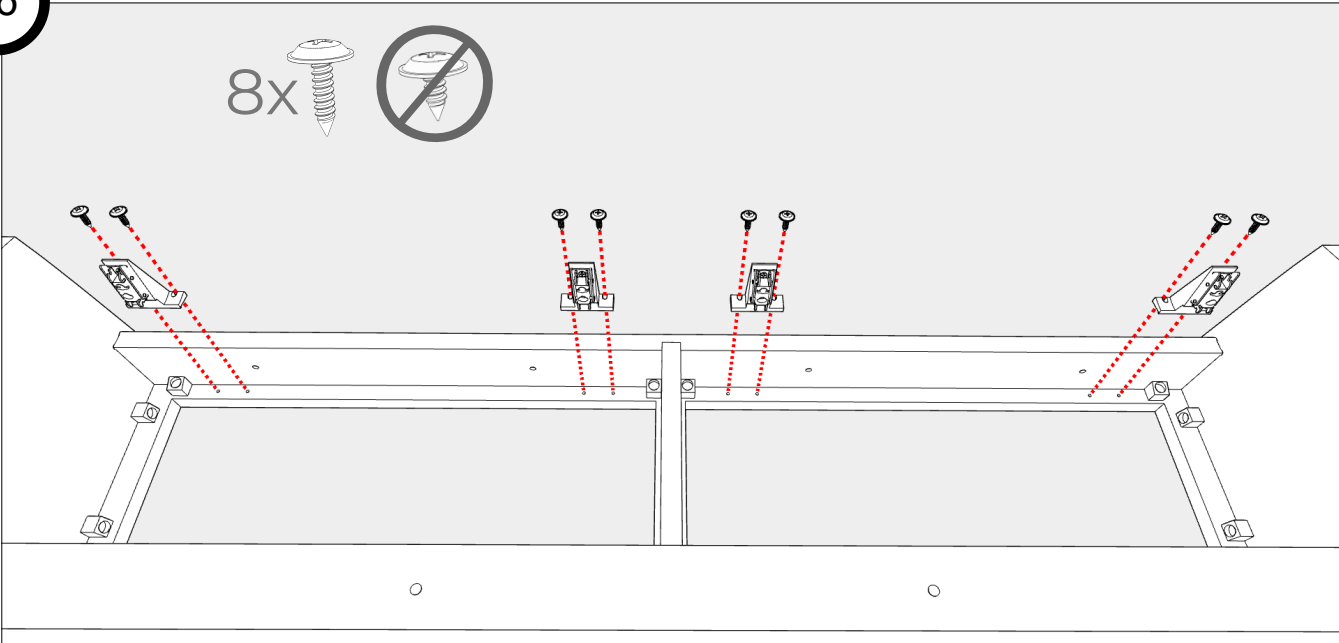
14



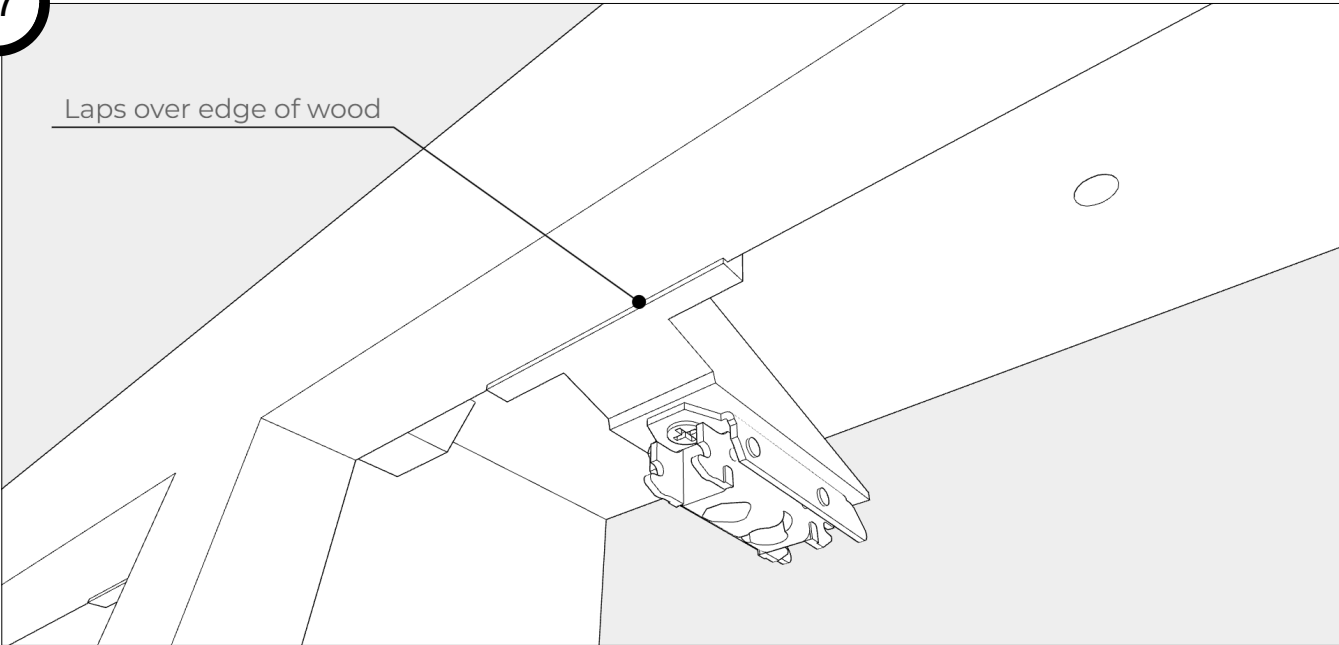
15



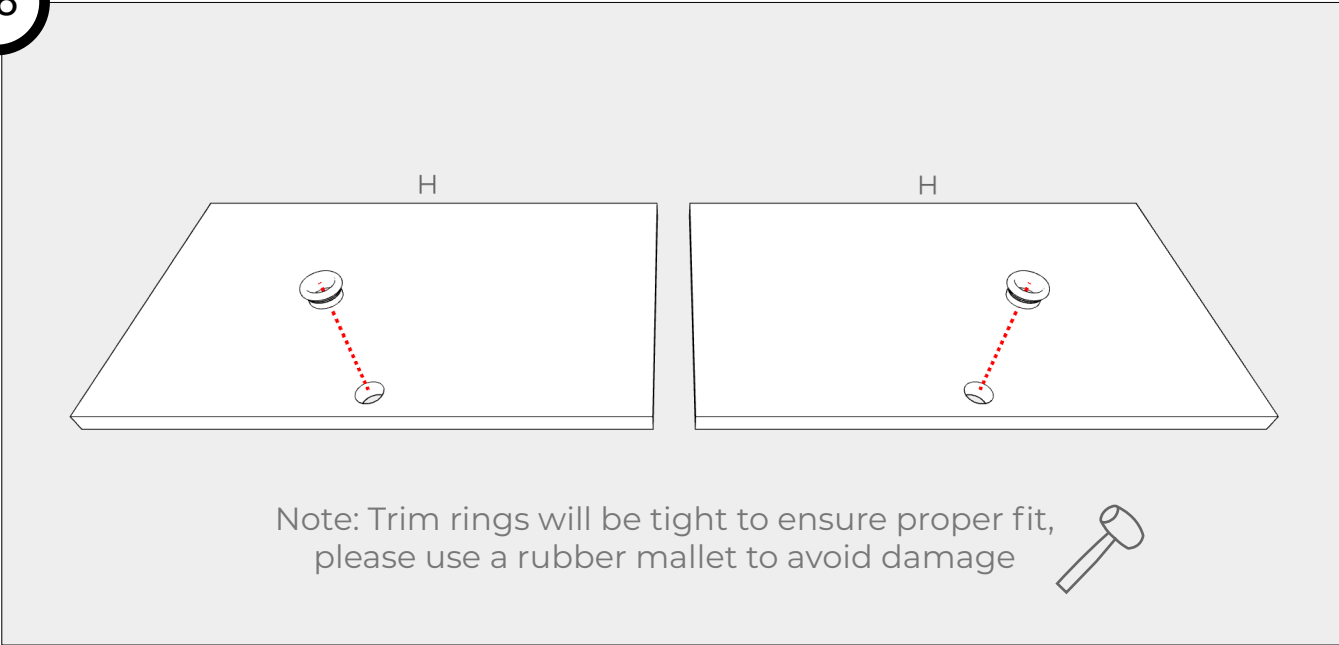
16

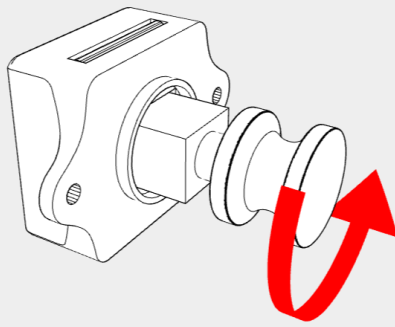


17

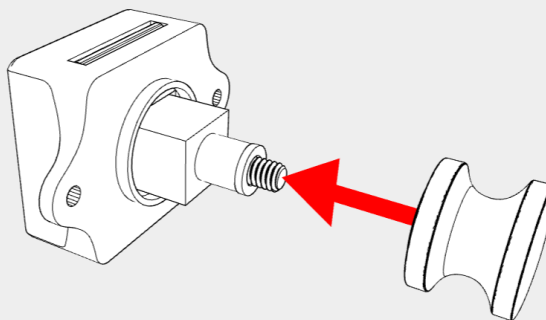
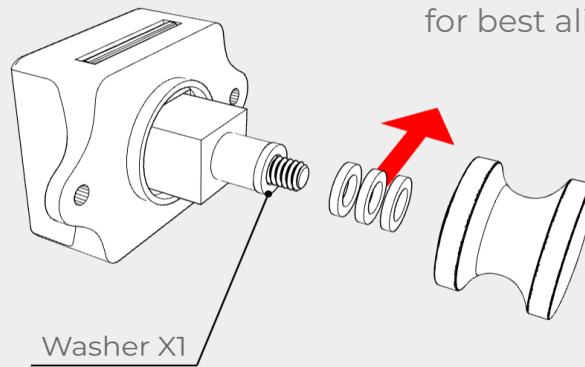


18



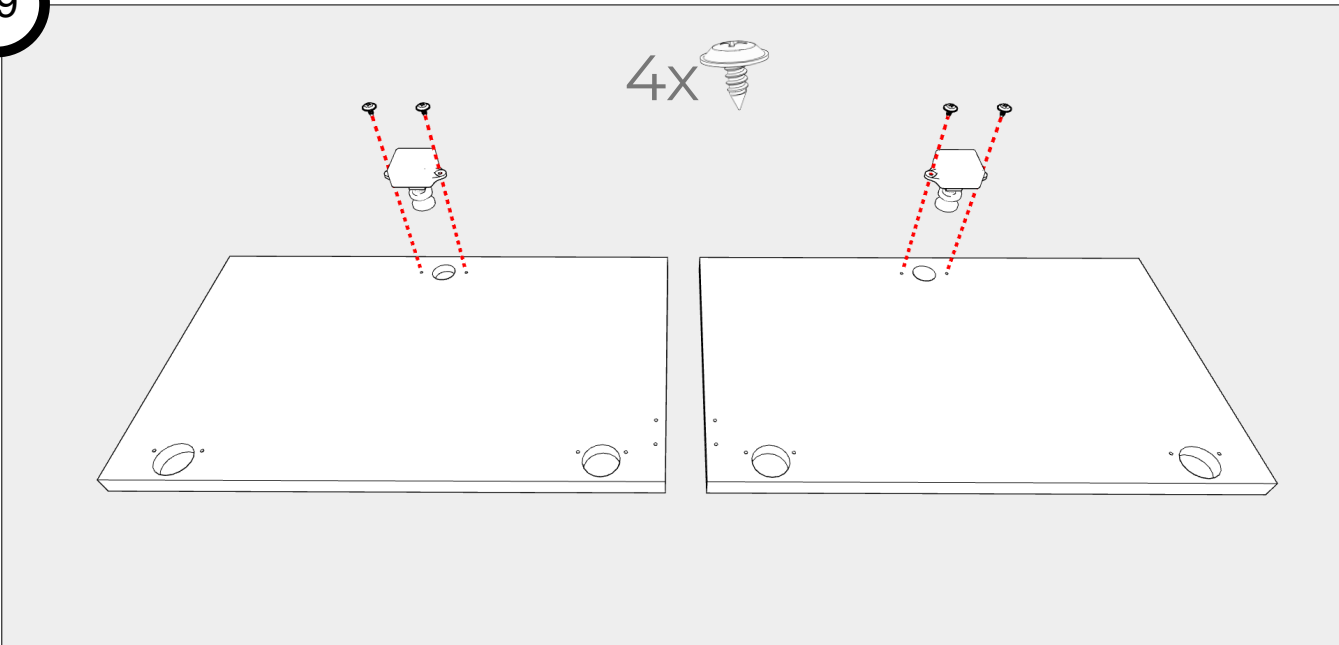


Set aside for later, you can add or subtract washers after assembly for best alignment

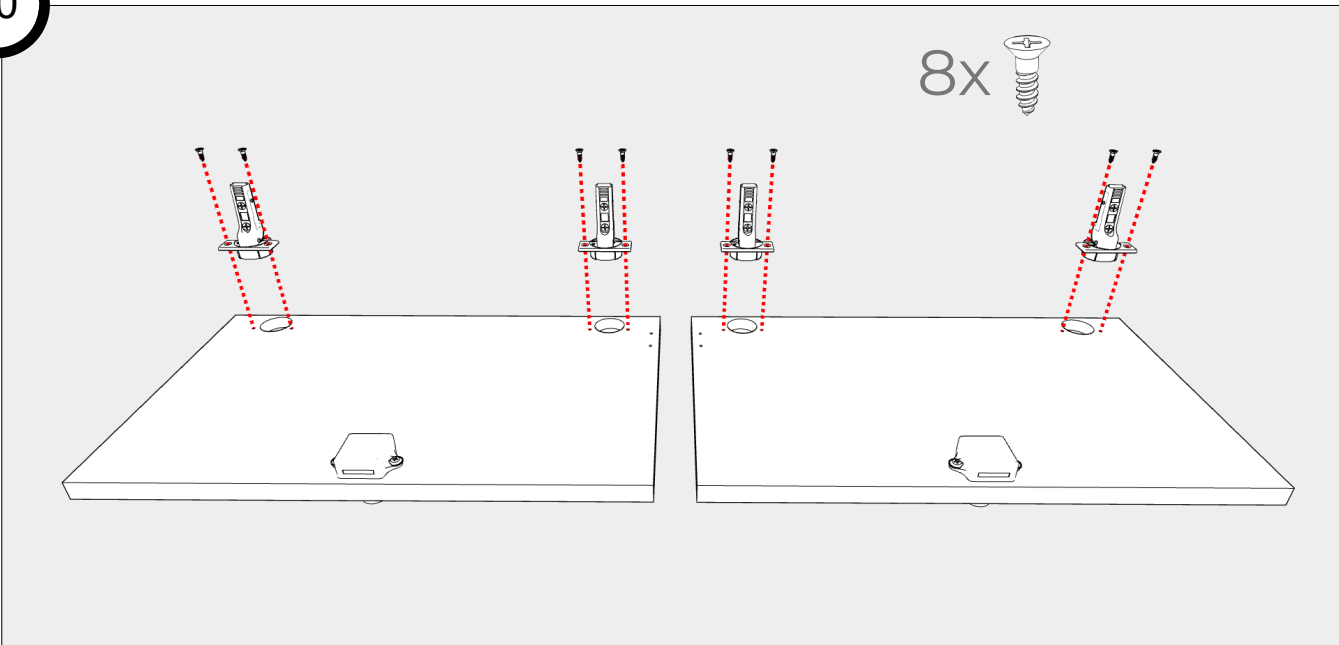




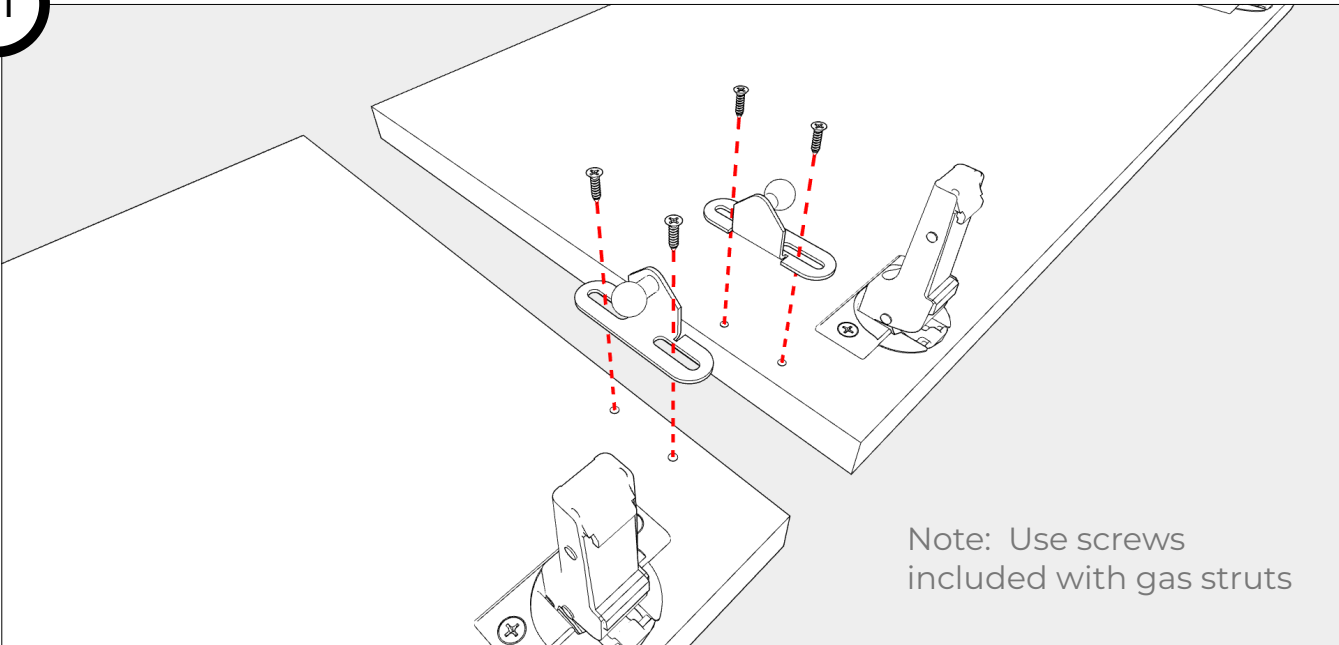
19



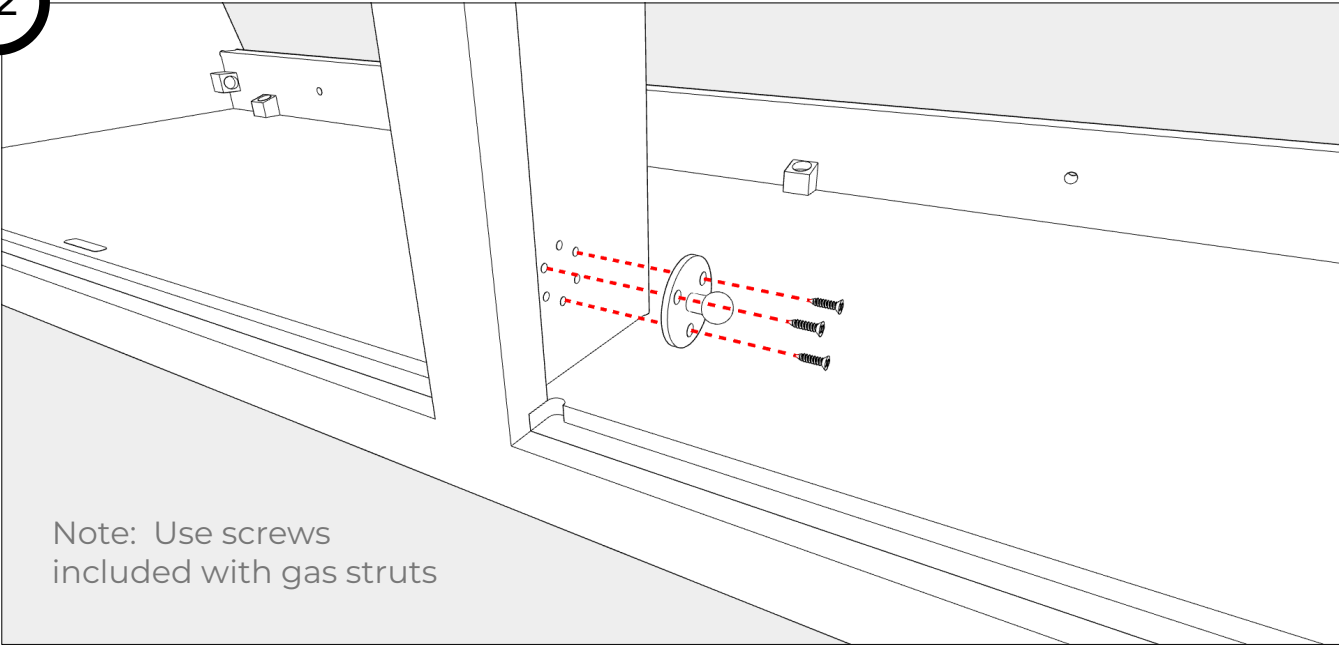
20



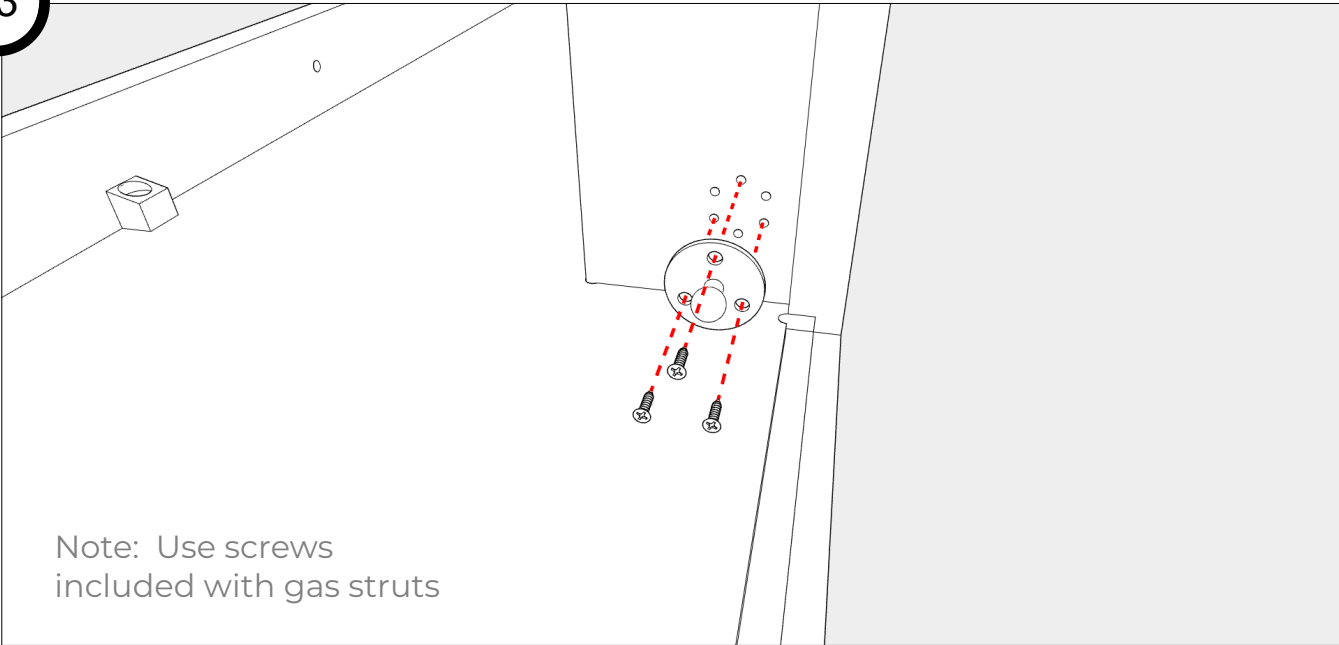
21



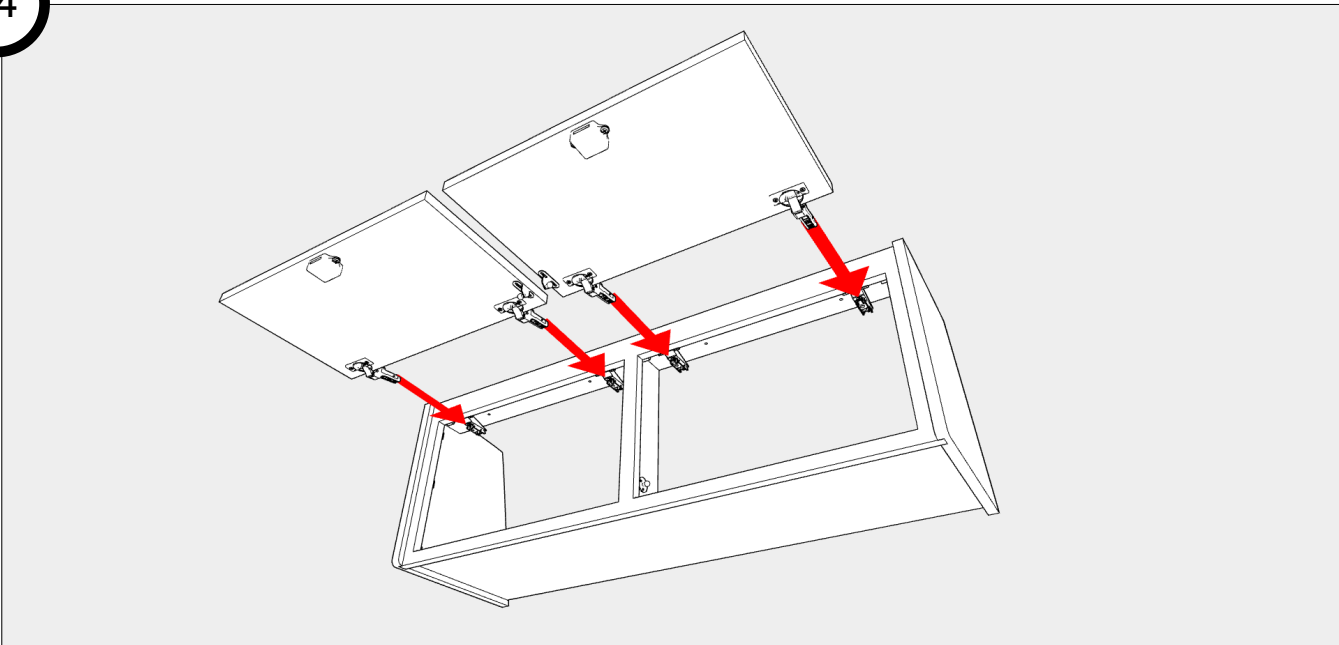
22

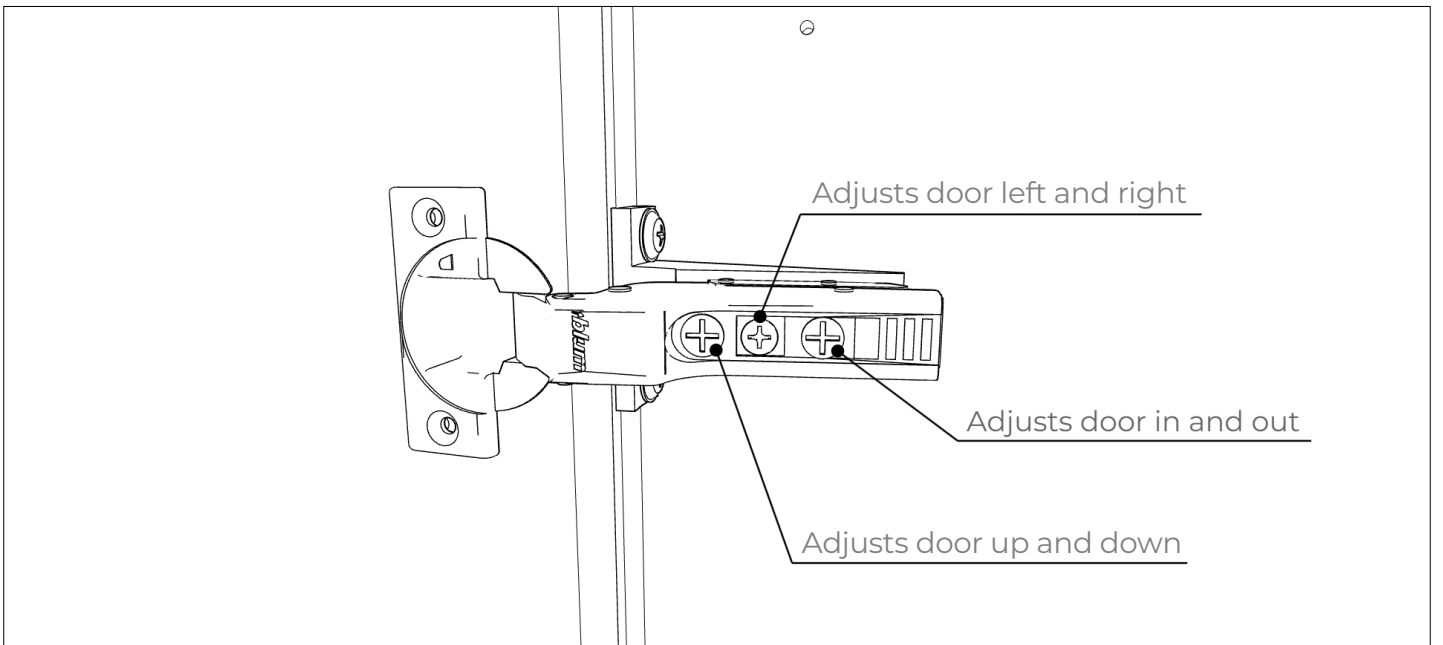
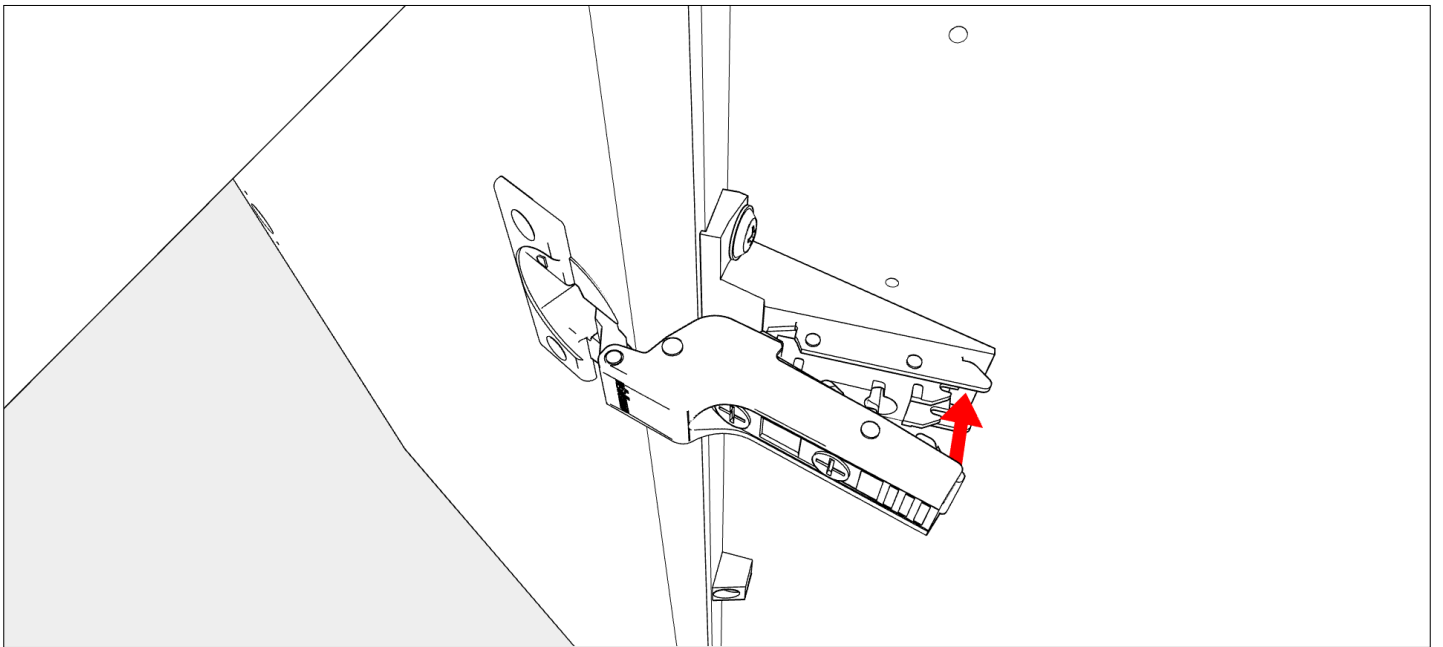
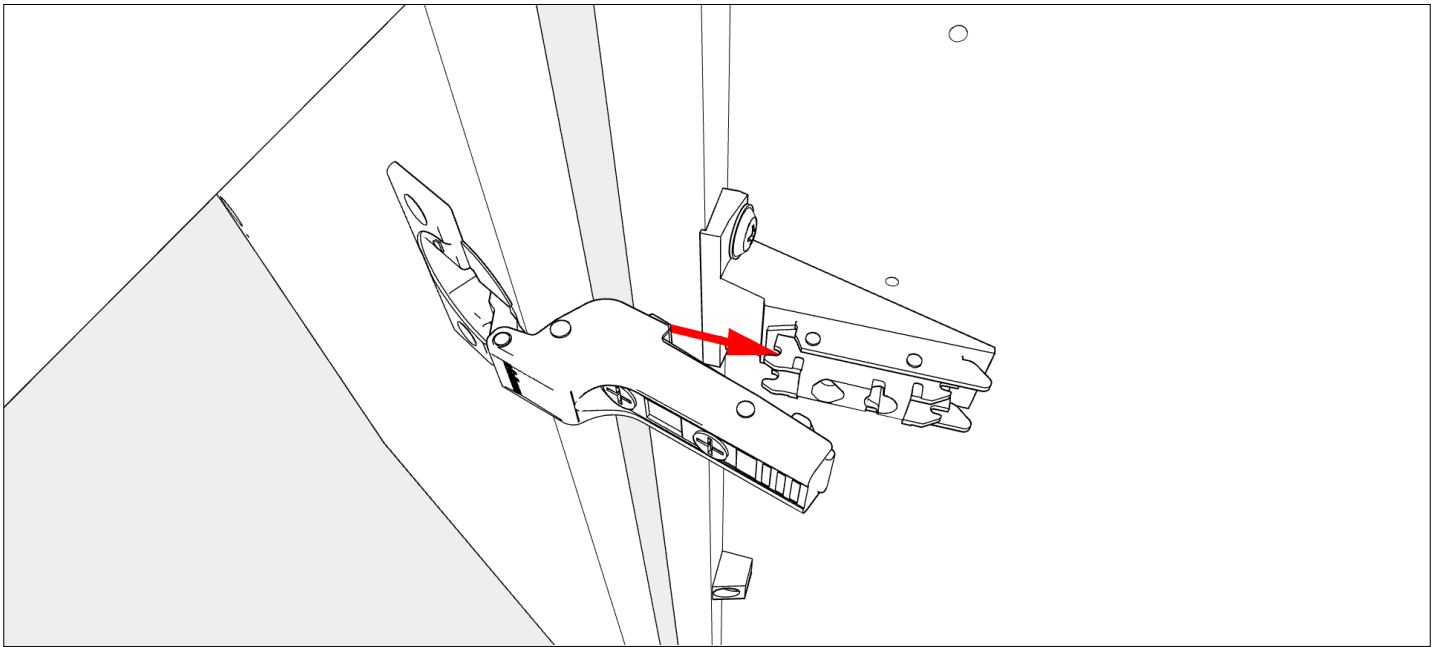


23



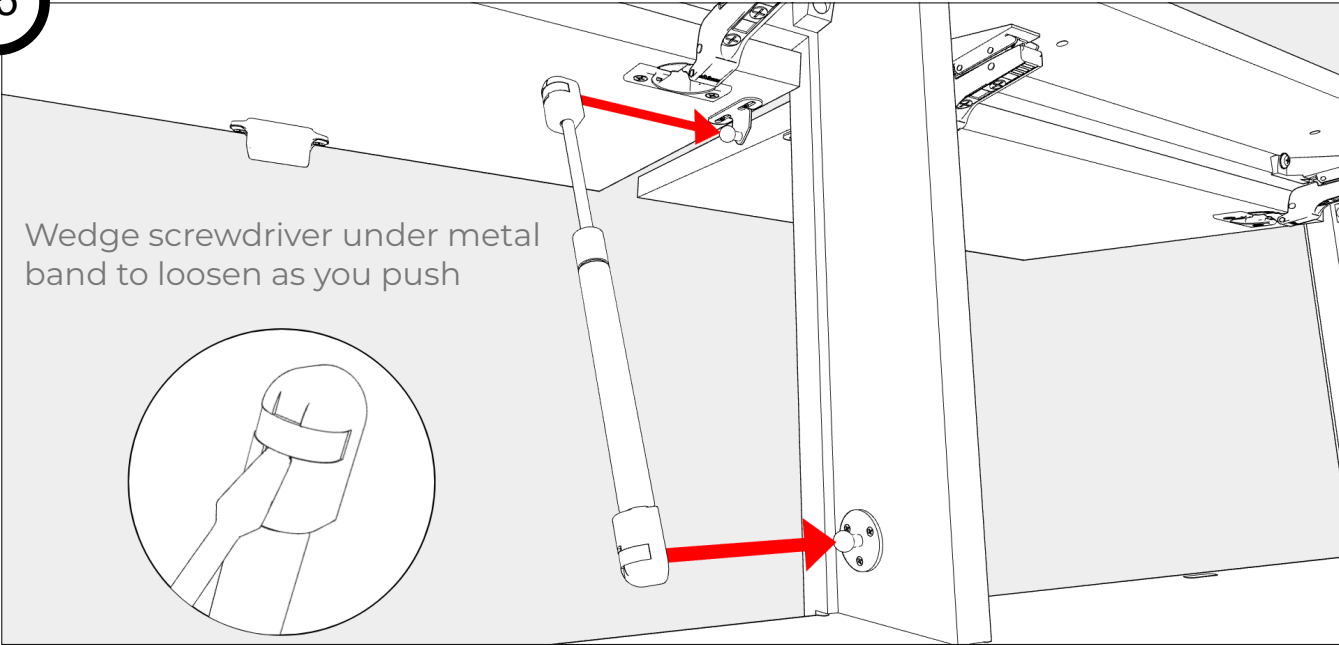
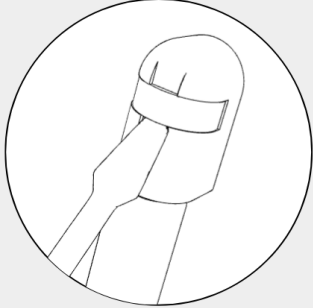
24



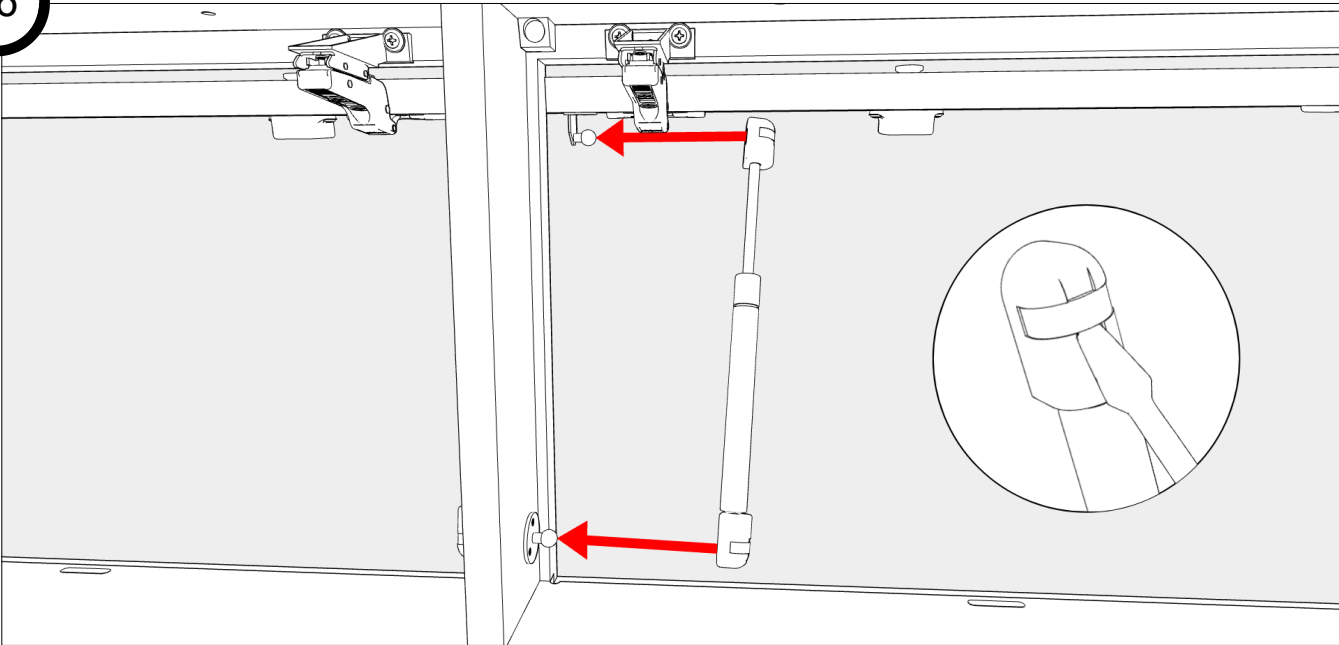


25

Wedge screwdriver under metal band to loosen as you push



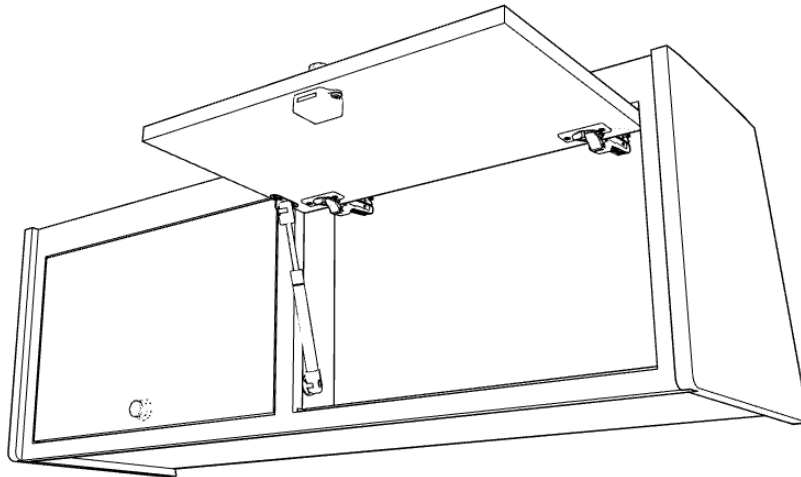
26



# TIMBER

---

Overhead Cabinet Assembly Complete  
Congratulations!



We'd love to see your finished wood cabinet in its new home! Share your photos on social media using the hashtag #TimberVanKits, and don't forget to tag us. Your creations inspire us, and we believe they will inspire others too.

Thank you once again for choosing Timber Van Kits. Your dedication and craftsmanship have brought our product to life, and we look forward to being a part of your future adventures!

---

[TIMBERVANKITS.COM](https://www.timbervankits.com) • 720-282-5075

Have a question or issues with your product? Feel free to call us or send a message via the [contact page](#) on our website. If you call us and we can't get to the phone please leave us a message and we'll get back to you as soon as we can.

 [facebook.com/timbervankits](https://www.facebook.com/timbervankits)

 [instagram.com/timbervankits](https://www.instagram.com/timbervankits)