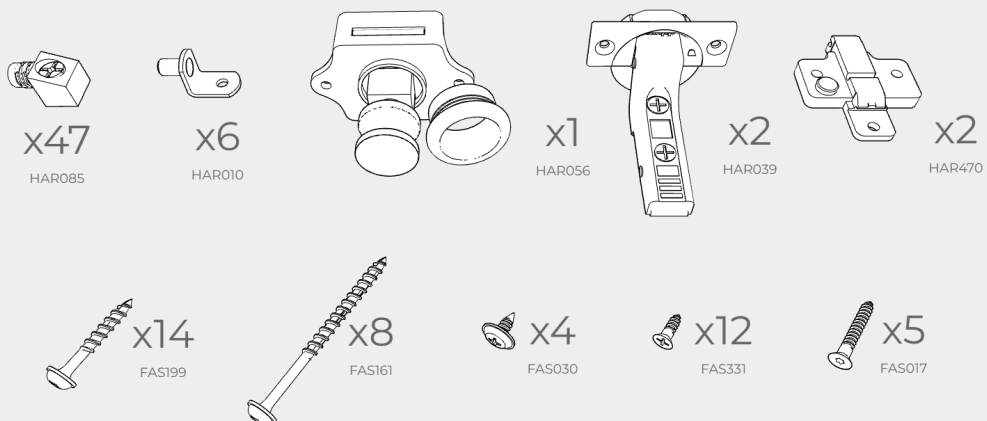
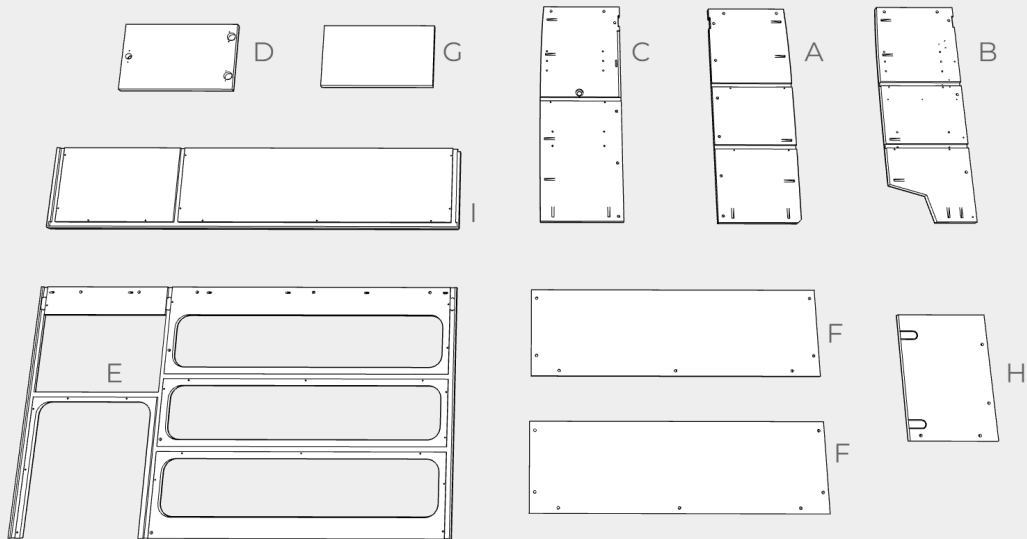
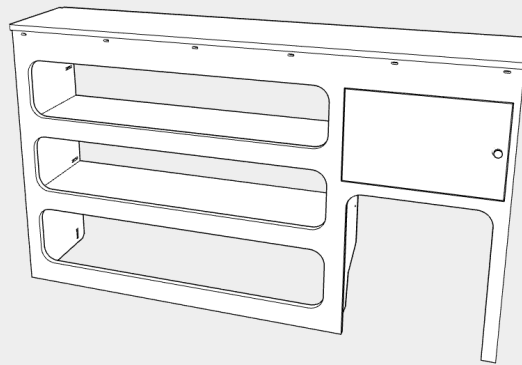
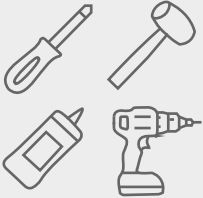


DIY WWC PASSENGER CAB

TIMBER



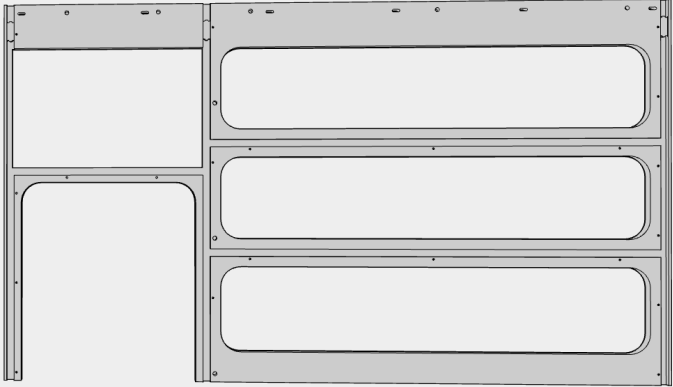
1

Remove and set aside the screws from all cab fasteners, These screws will be installed after installation of the cab fasteners.

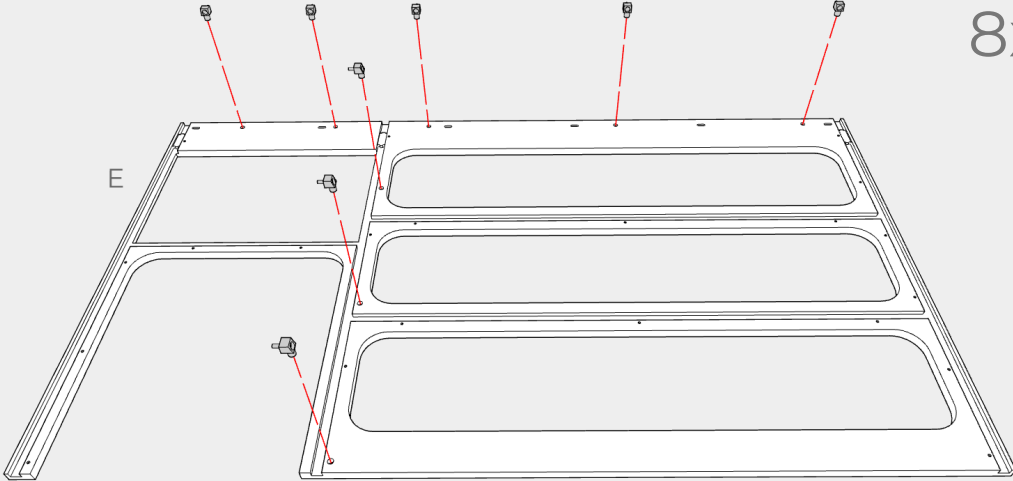


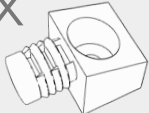
2

Before assembling:
sand all holes, channels, edges and faces of wood panels to remove imperfections and achieve a smooth finish. This will help the pieces fit together cleanly. The more time spent sanding, the better the end result will be.



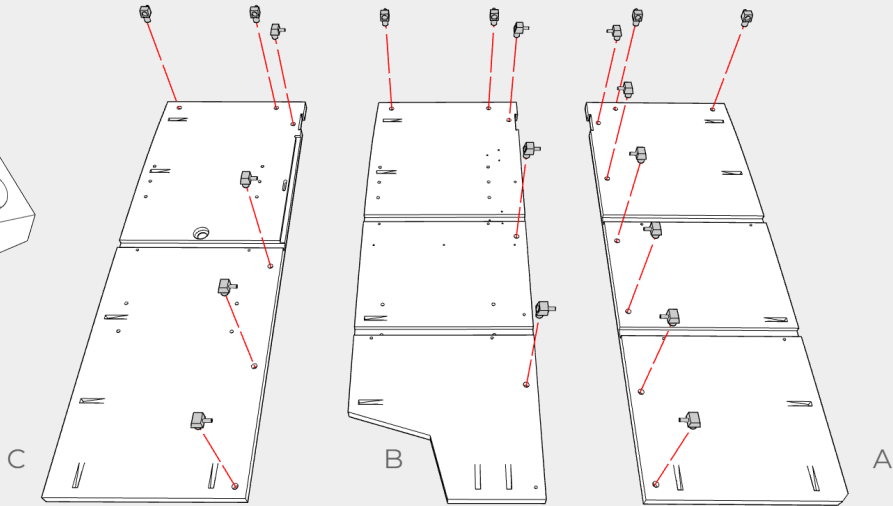
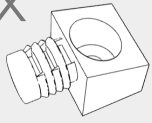
3



8x 

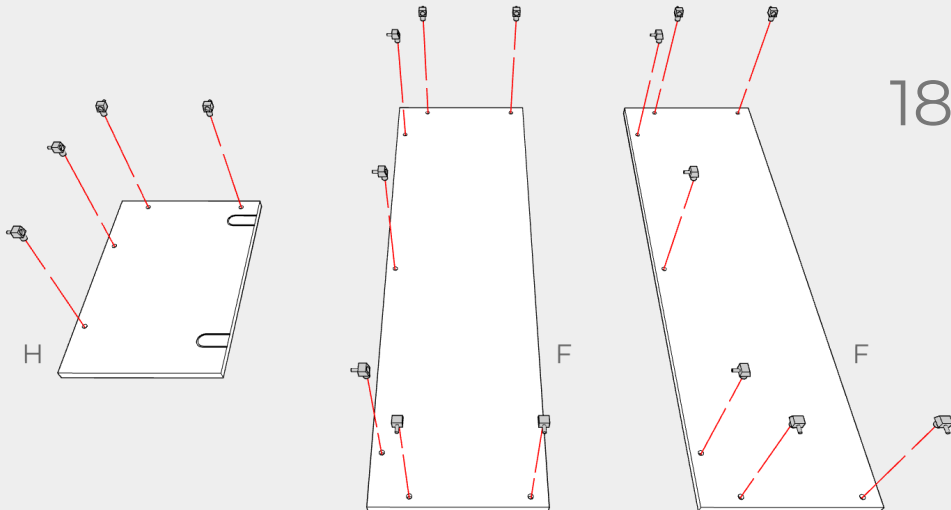
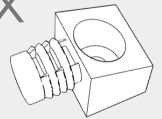
4

18x



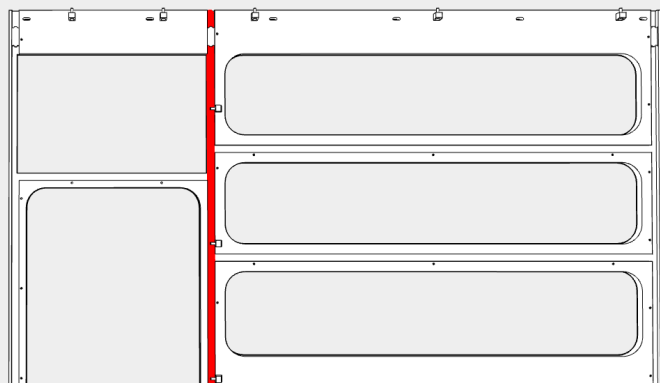
5

18x

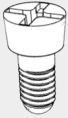


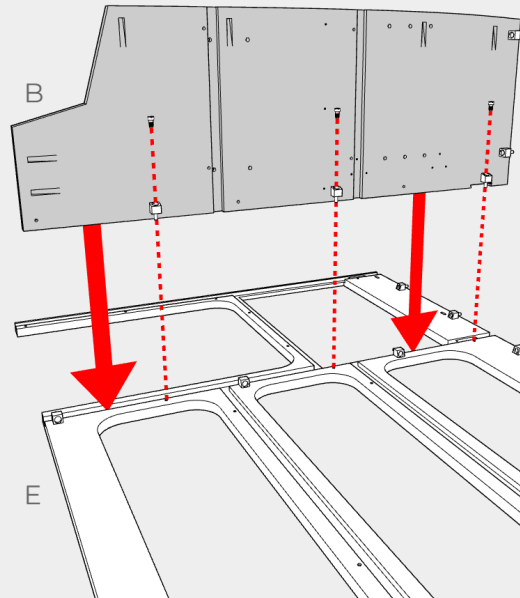
6

Note: We recommend dry-fitting wood panels before gluing to check the fit. Apply wood glue to channels where wood panels joint just before attaching. Repeat this for all wood joint pieces as you progress through your assembly.

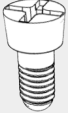


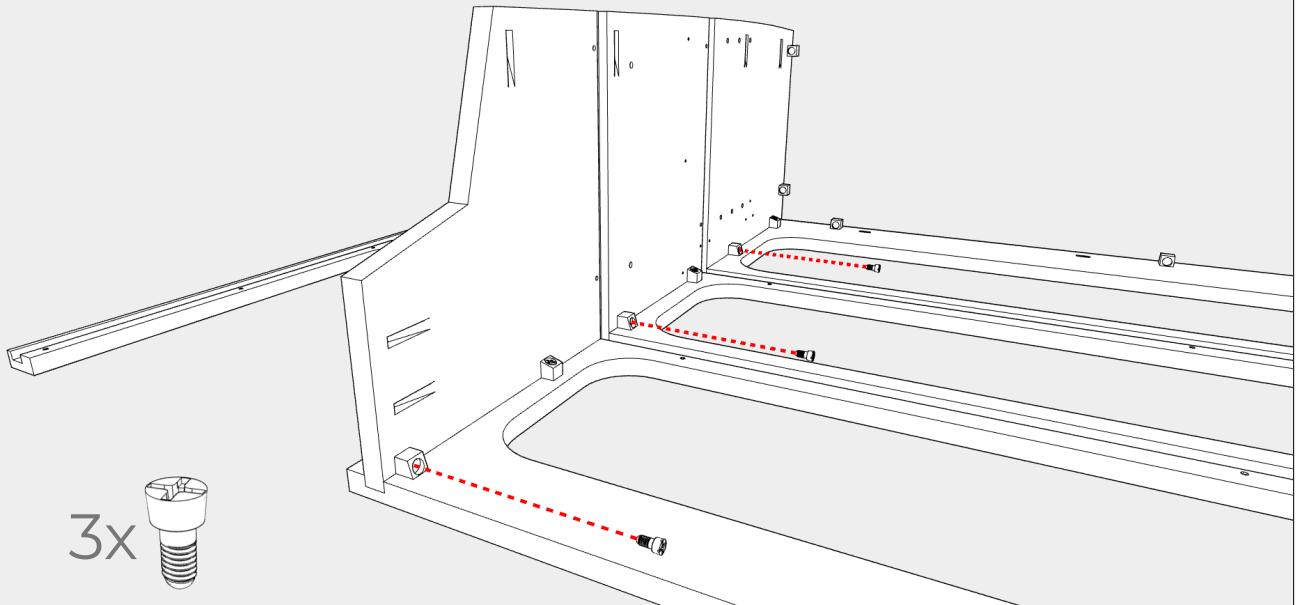
7

3x 




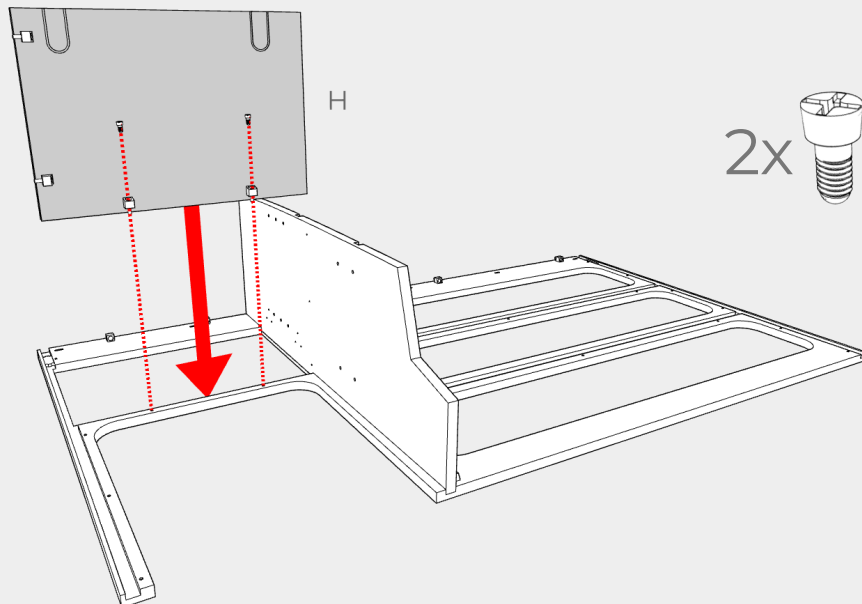
8

3x 



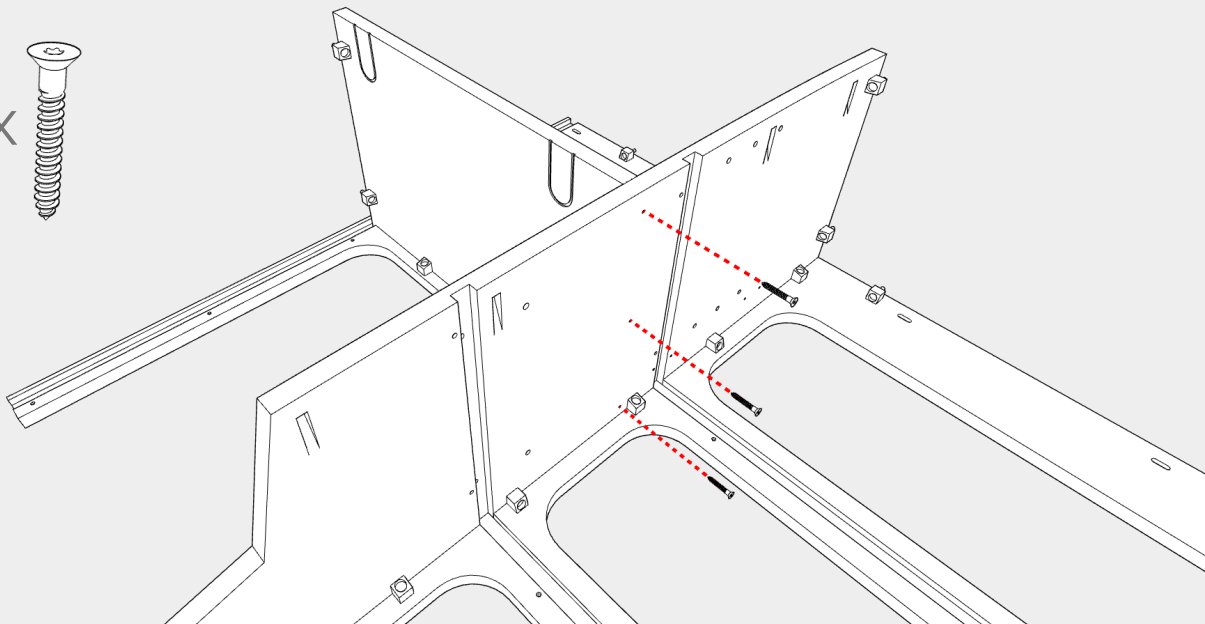
9

2x 



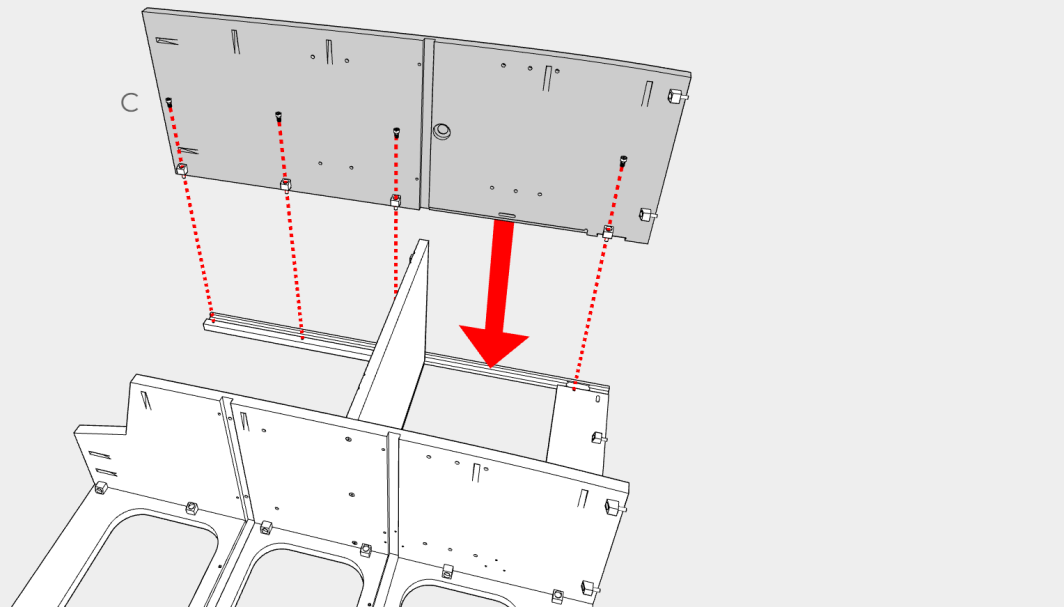
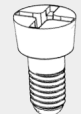
10

3x



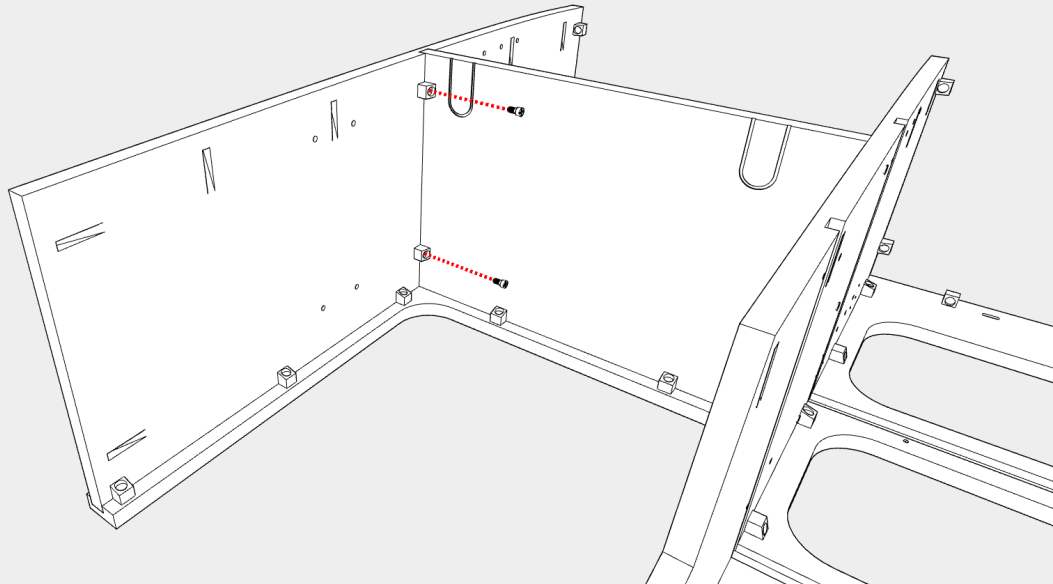
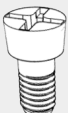
11

4x

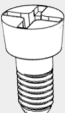


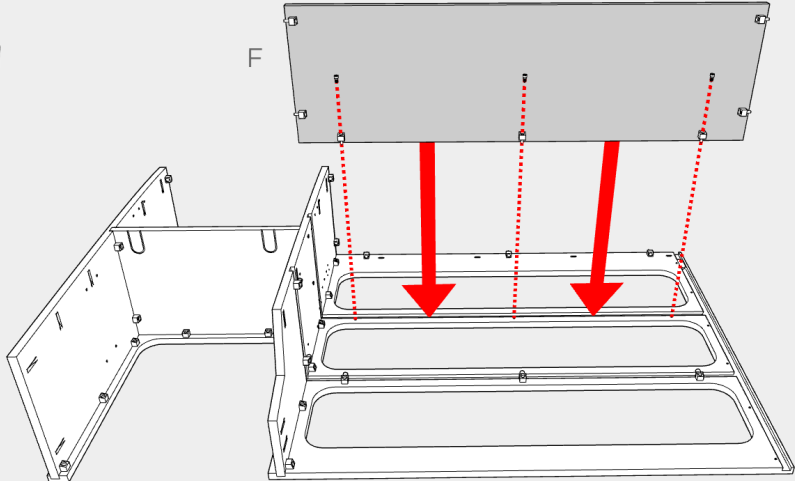
12

2x

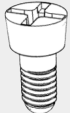


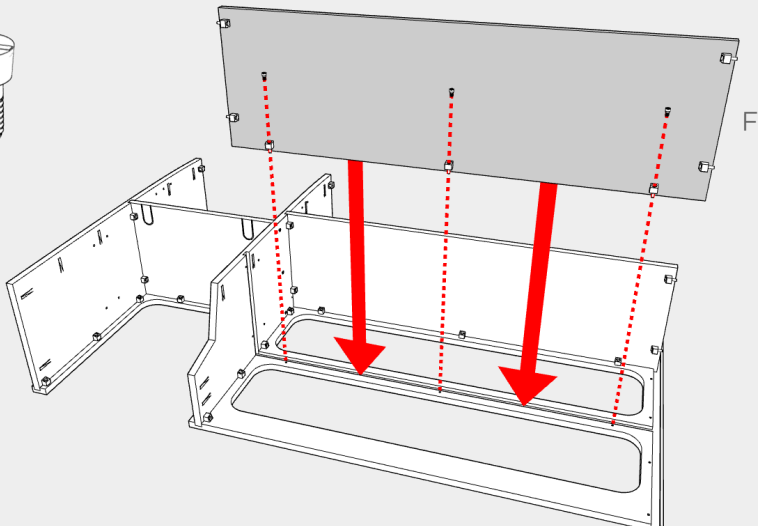
13

3x 




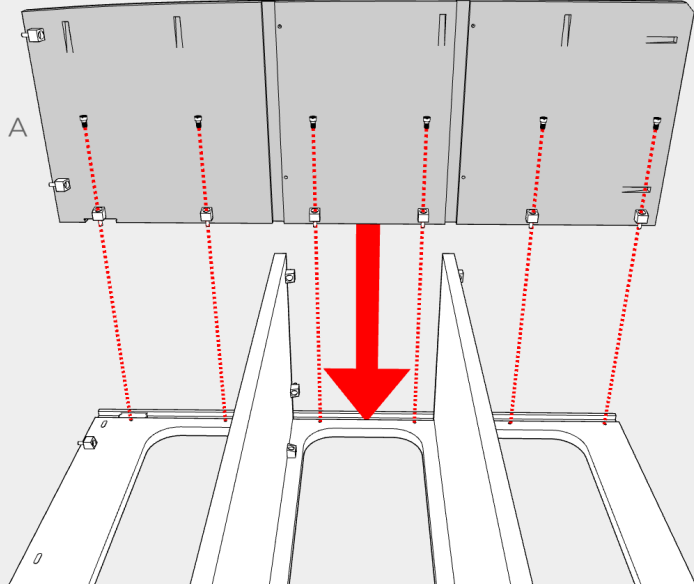
14

3x 

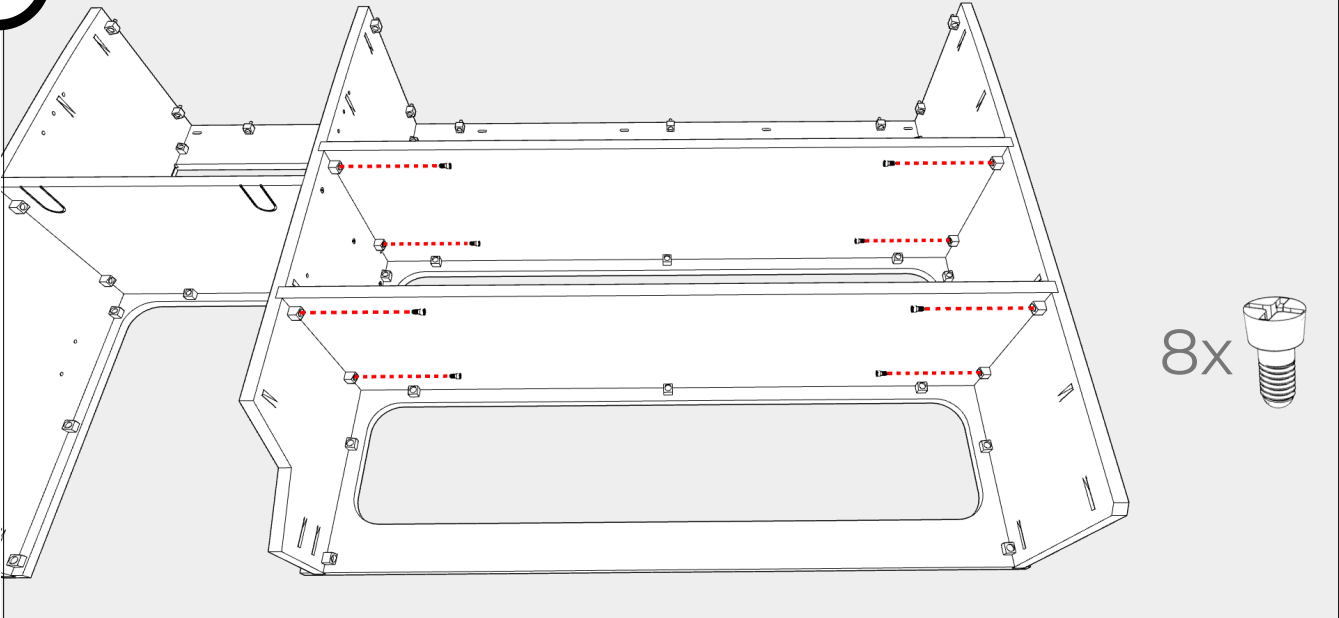


15

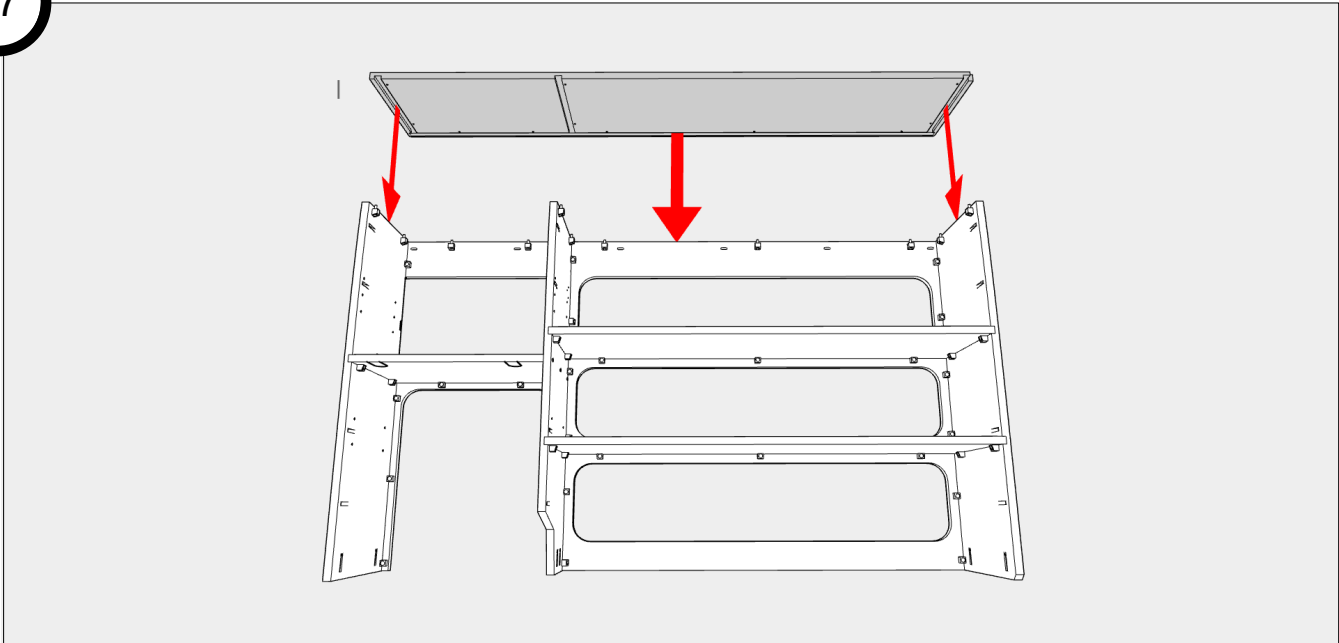
6x 



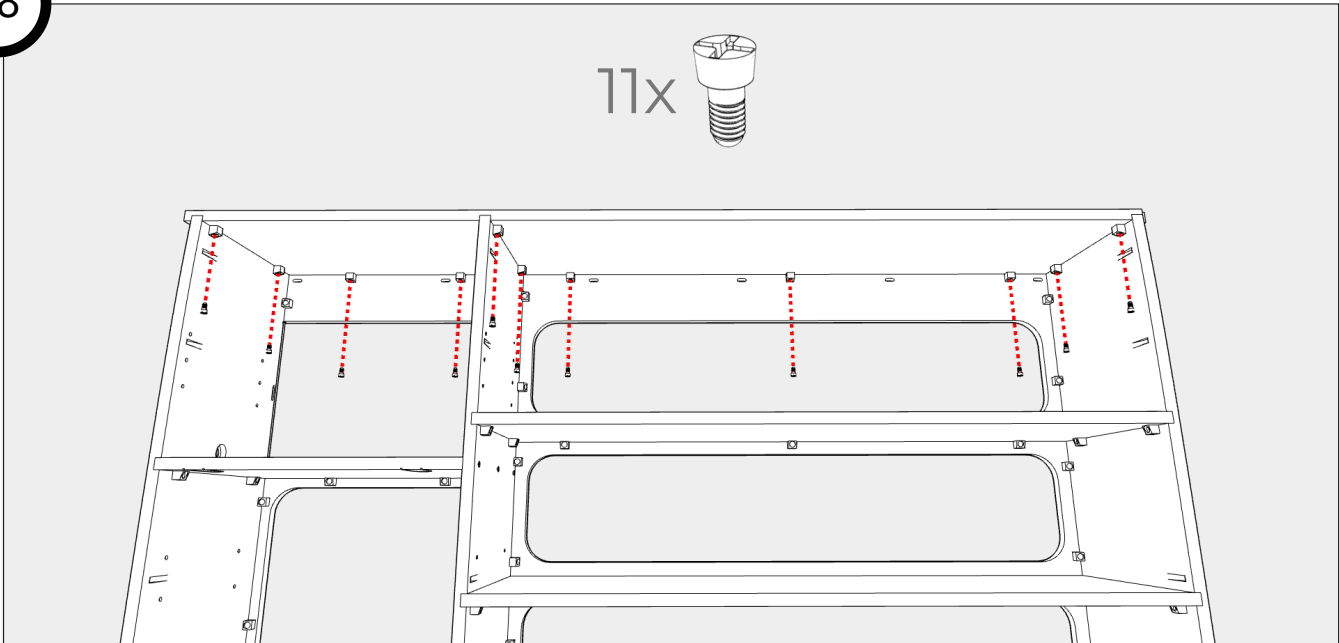
16



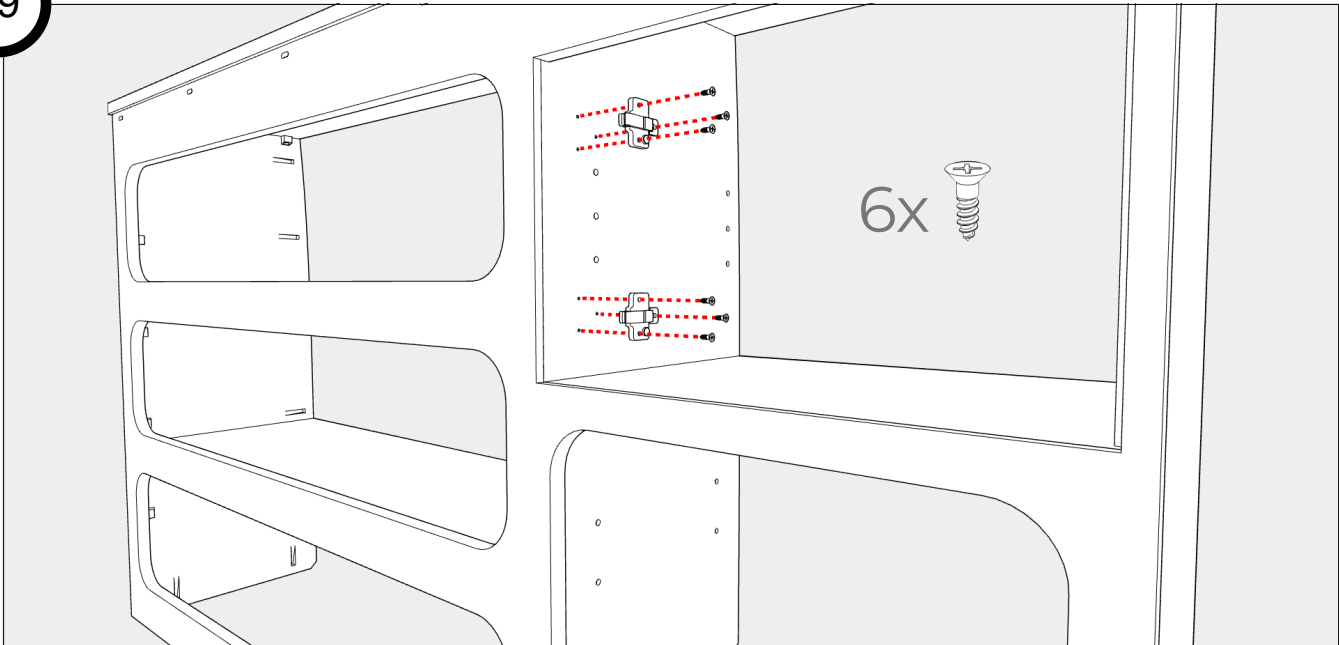
17



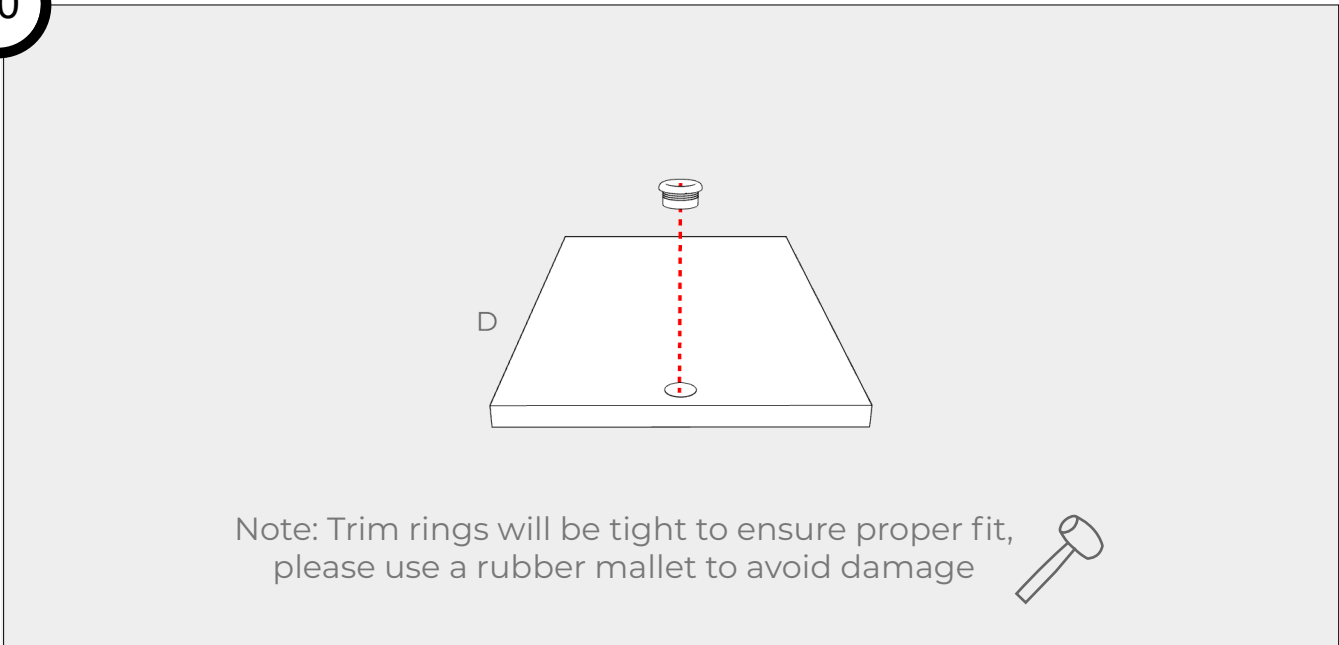
18



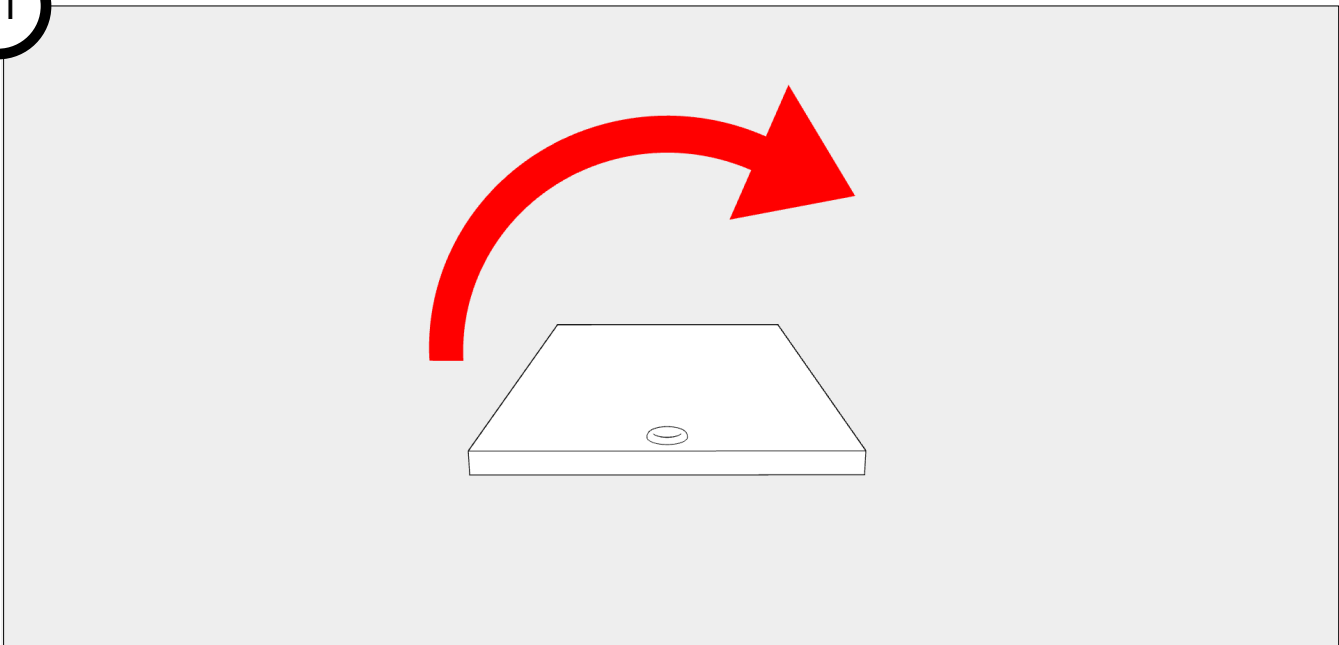
19

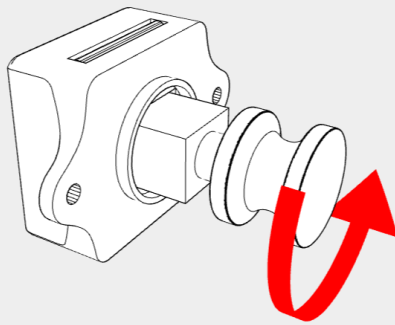


20

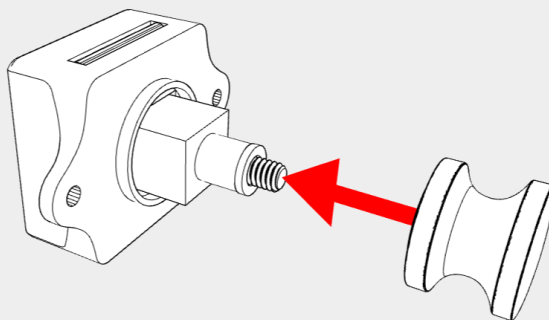
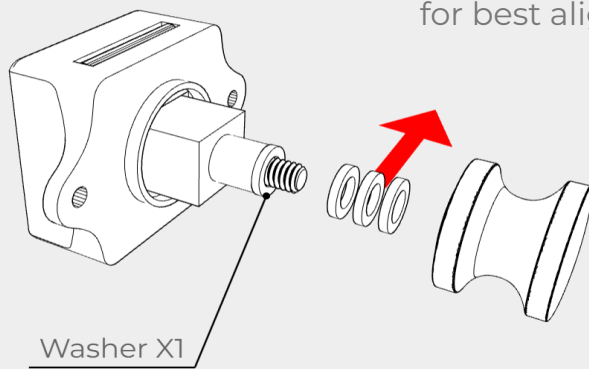


21

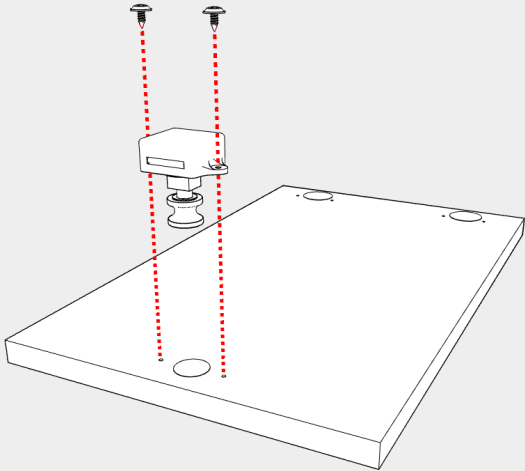




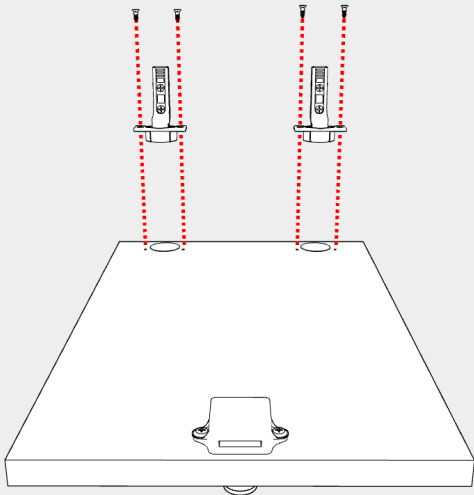
Set aside for later, you can add or subtract washers after assembly for best alignment



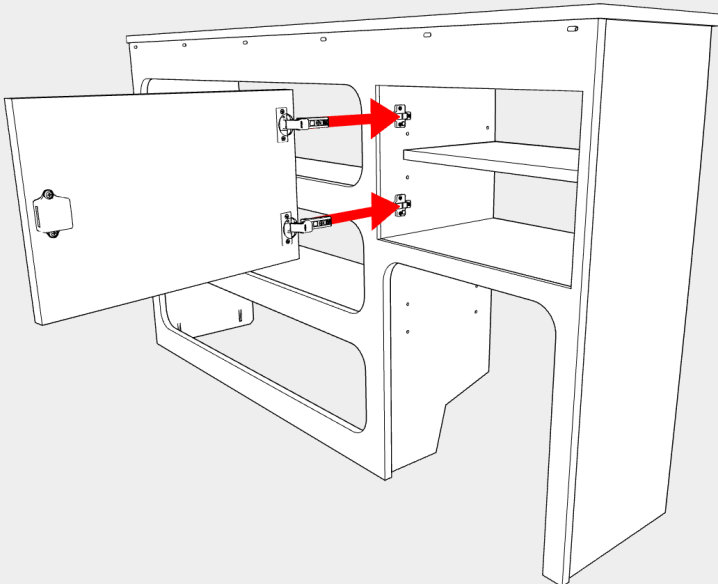
22

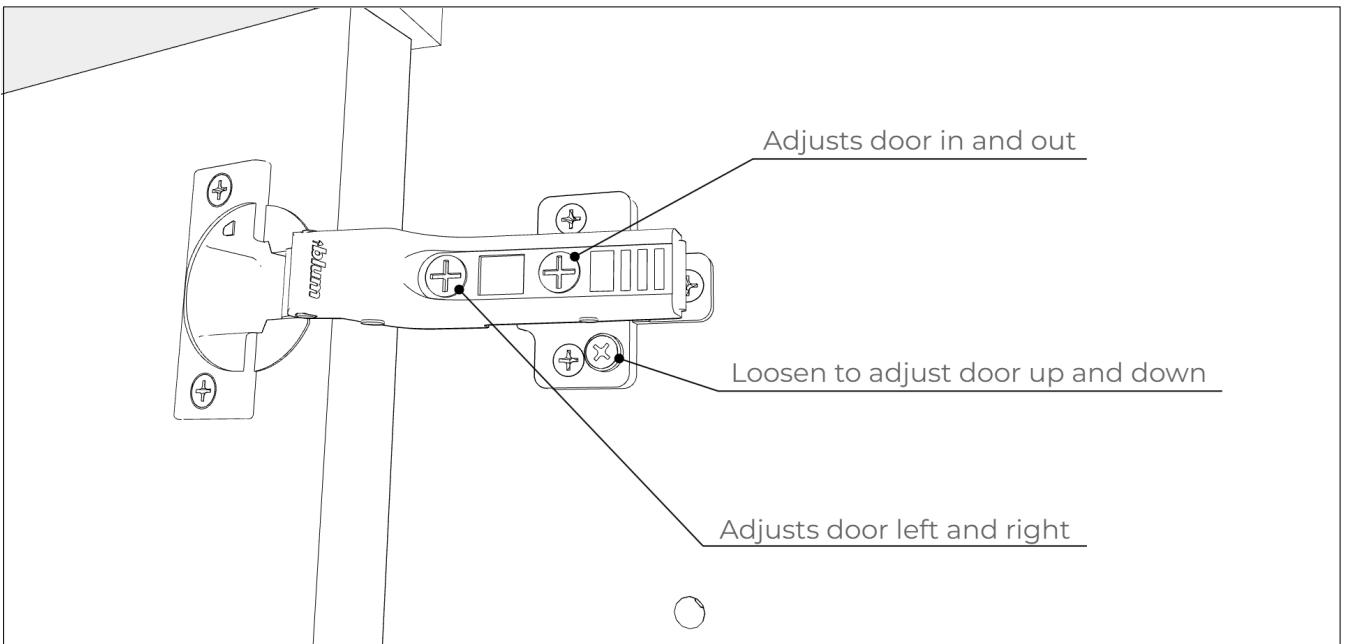
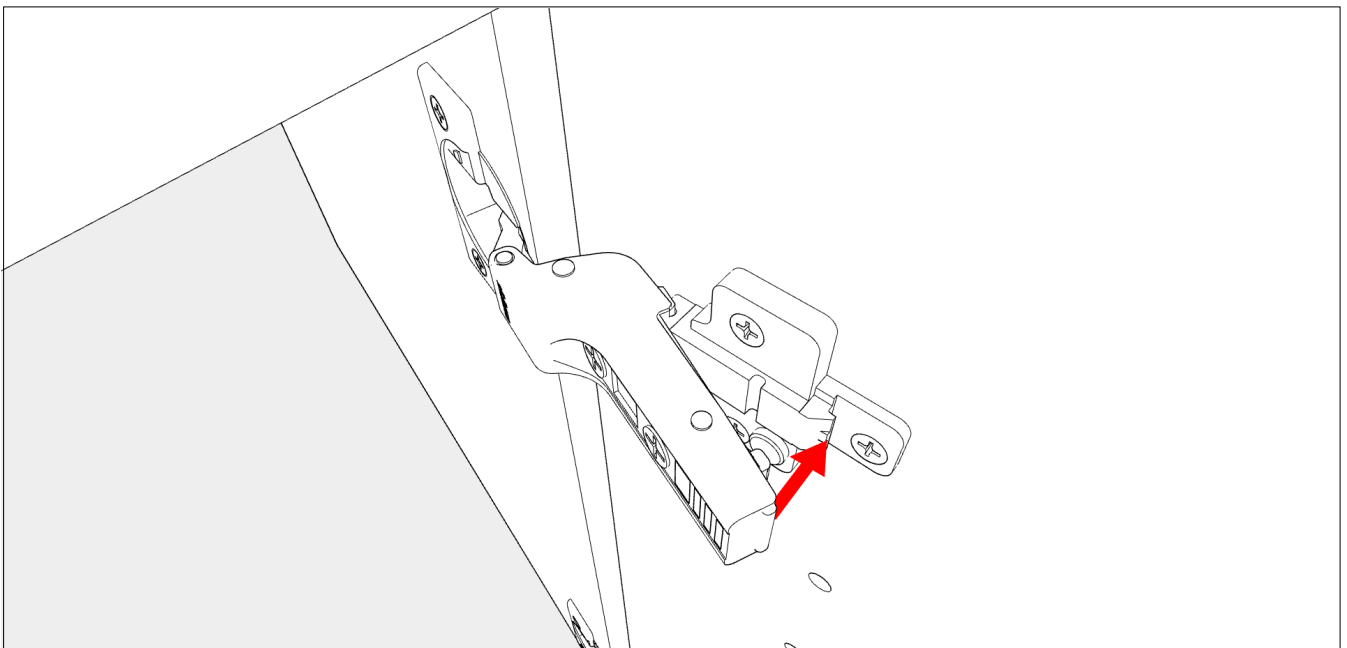
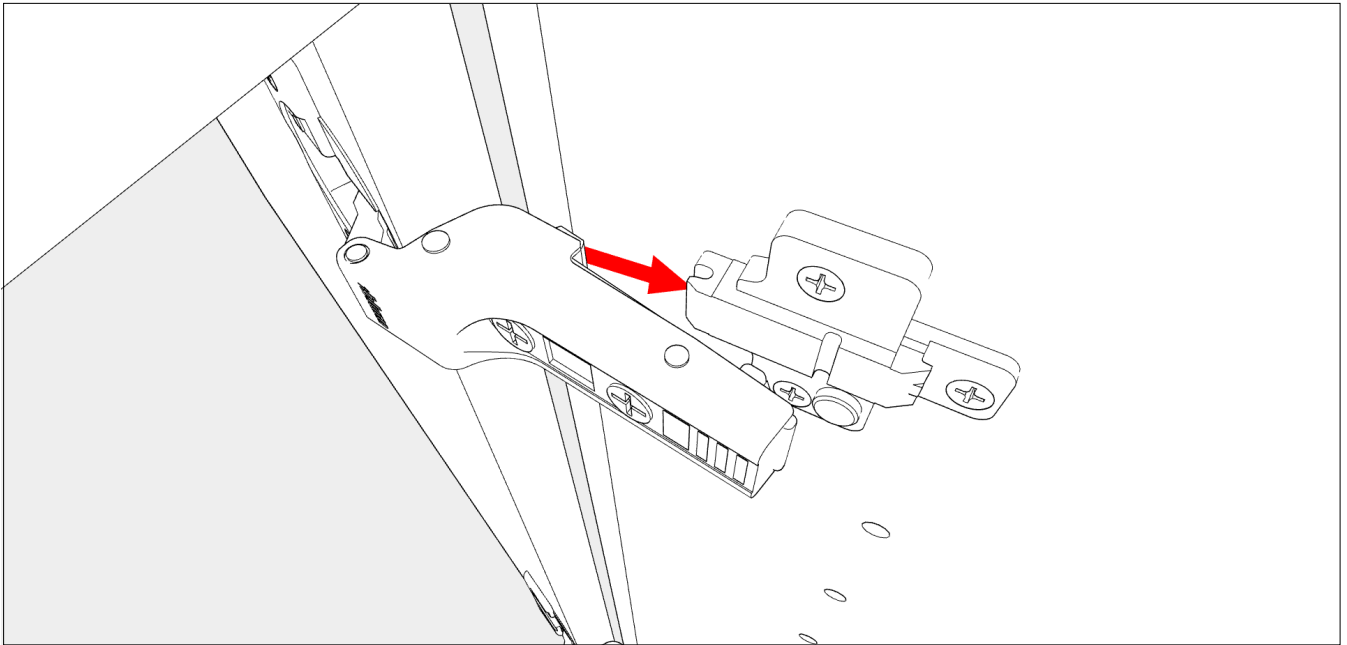


23

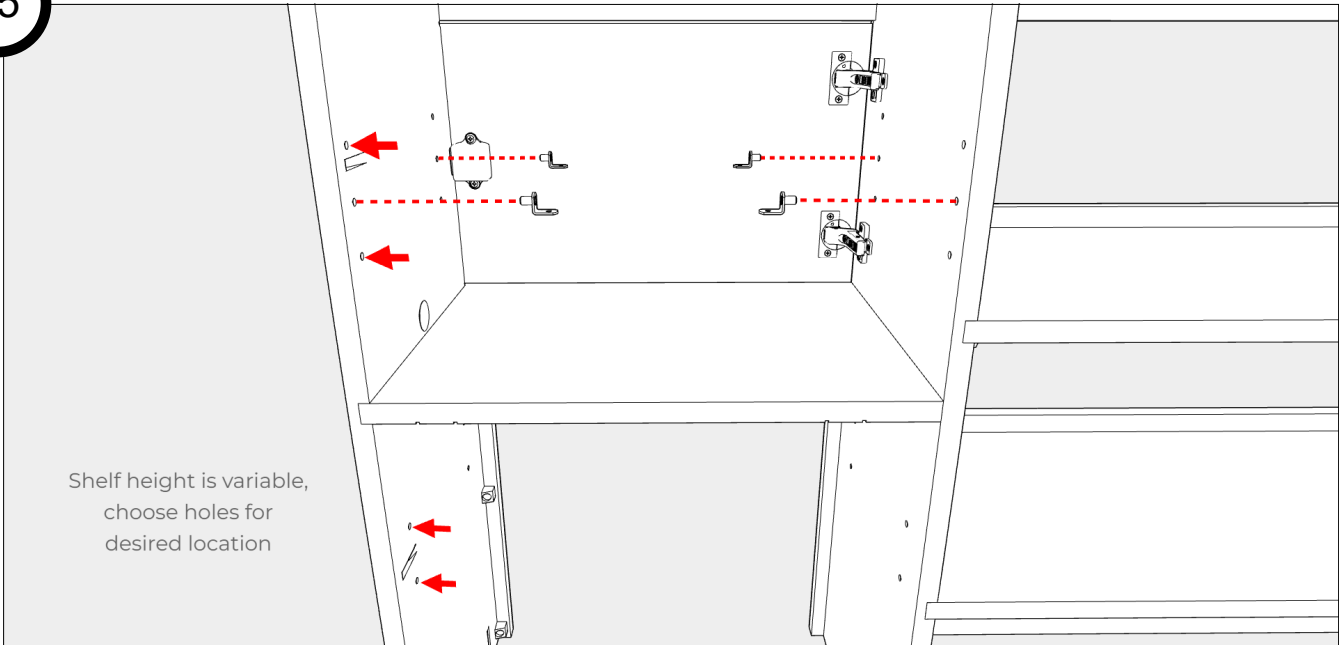


24

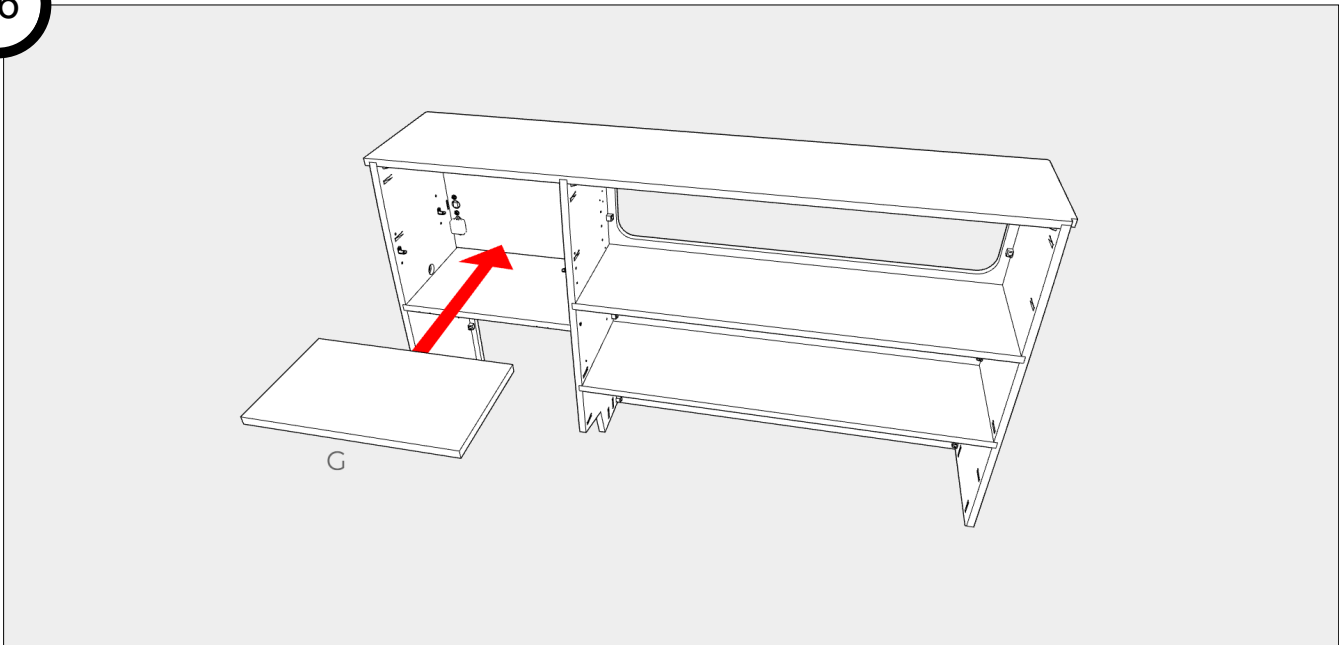




25

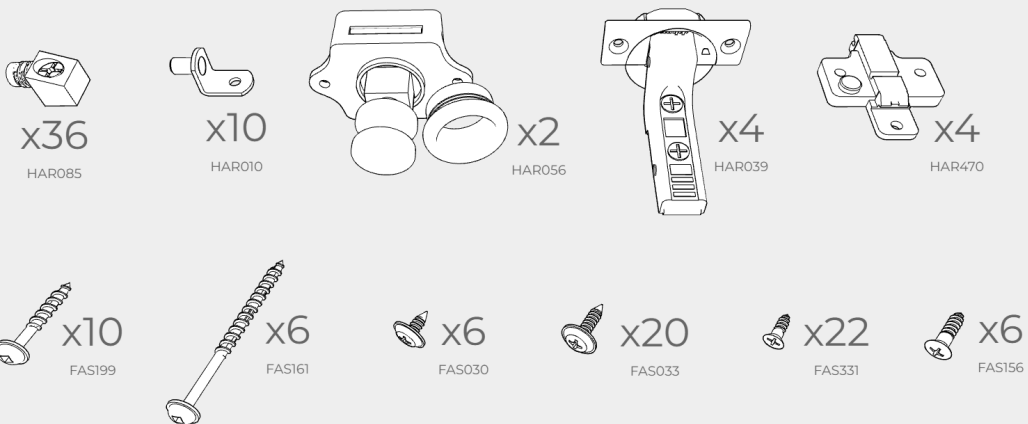
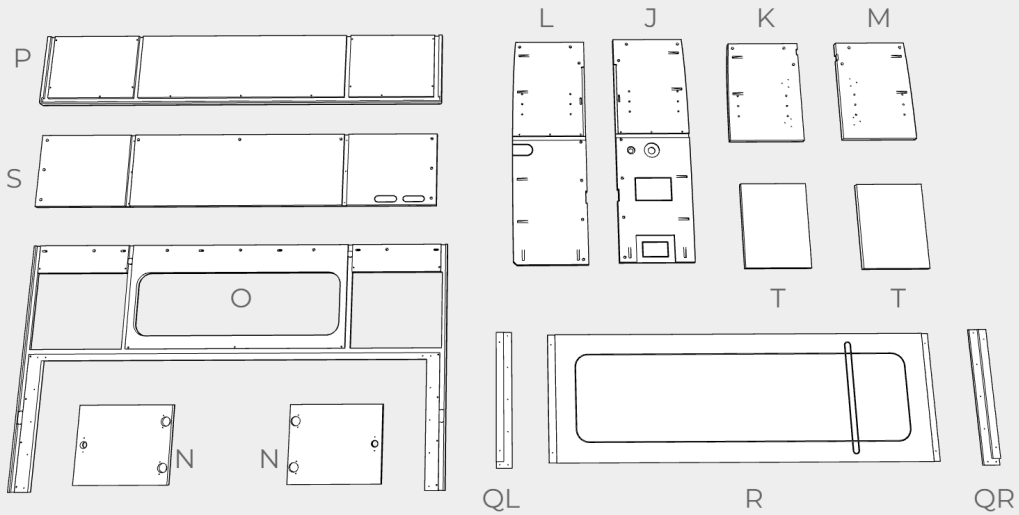
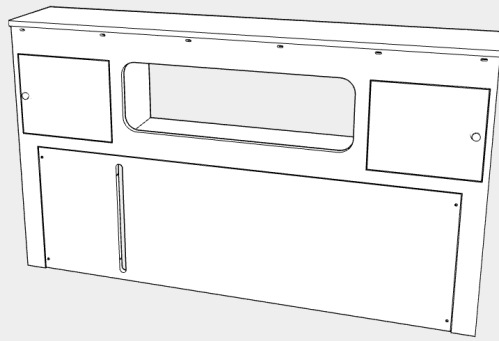
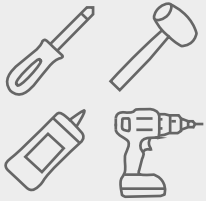


26



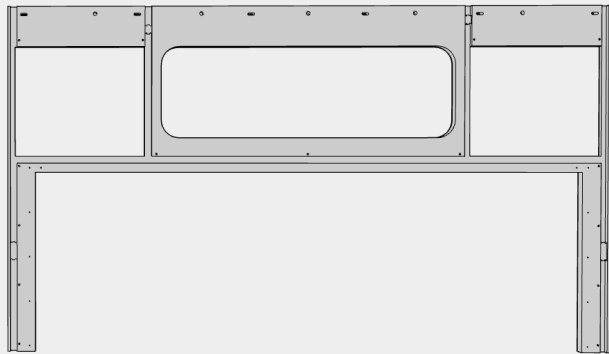
DIY WWC DRIVER CAB

TIMBER

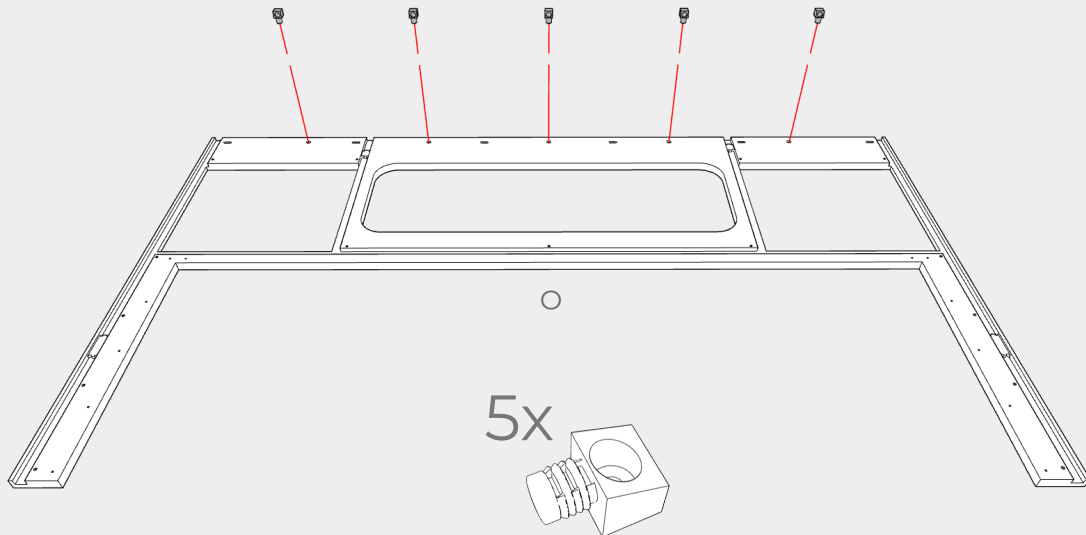


1

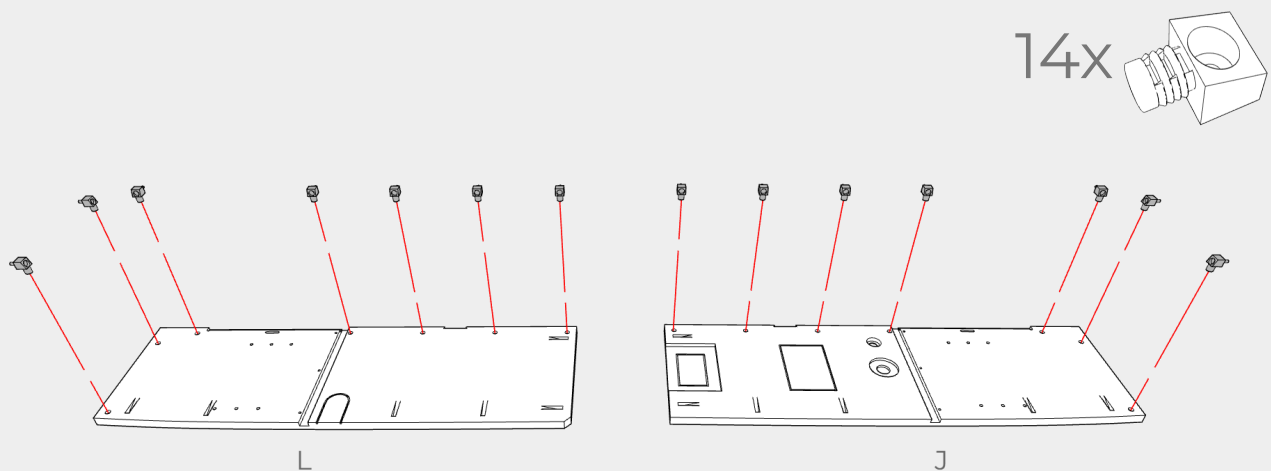
Before assembling:
sand all holes, channels, edges
and faces of wood panels to
remove imperfections and achieve
a smooth finish. This will help the
pieces fit together cleanly. The
more time spent sanding, the
better the end result will be.



2

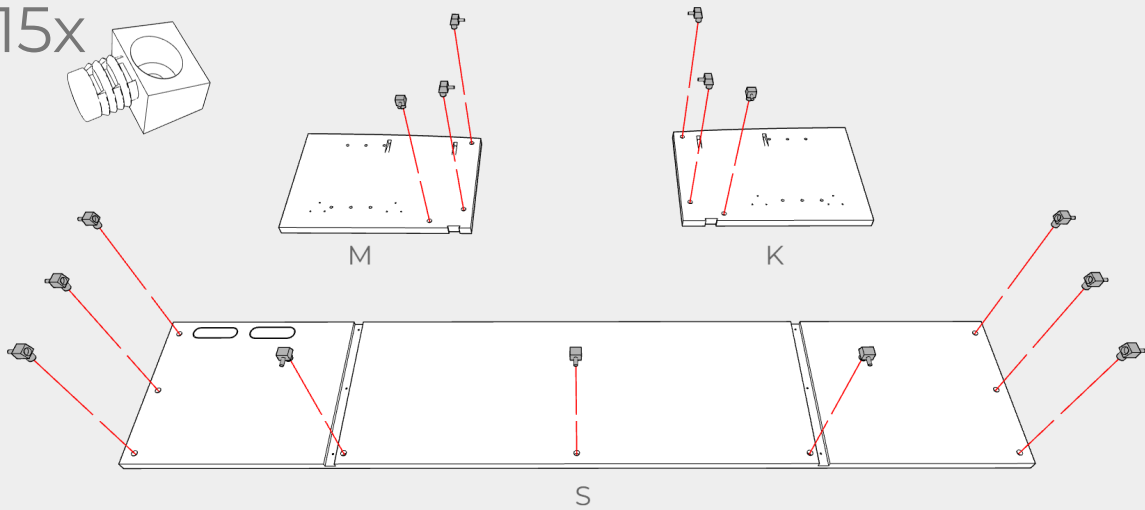


3



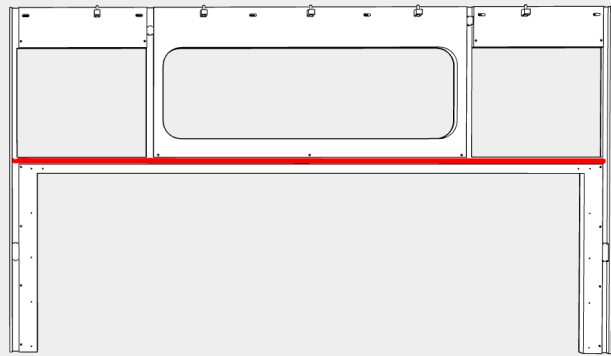
4

15x

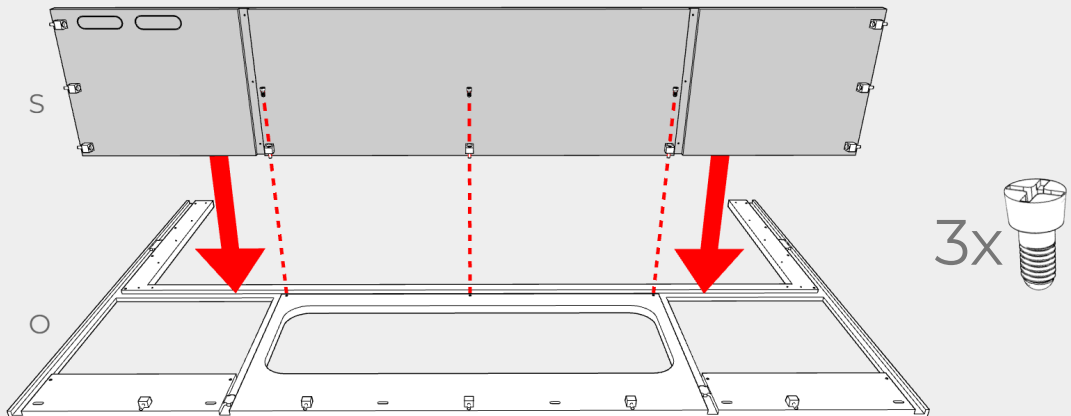


5

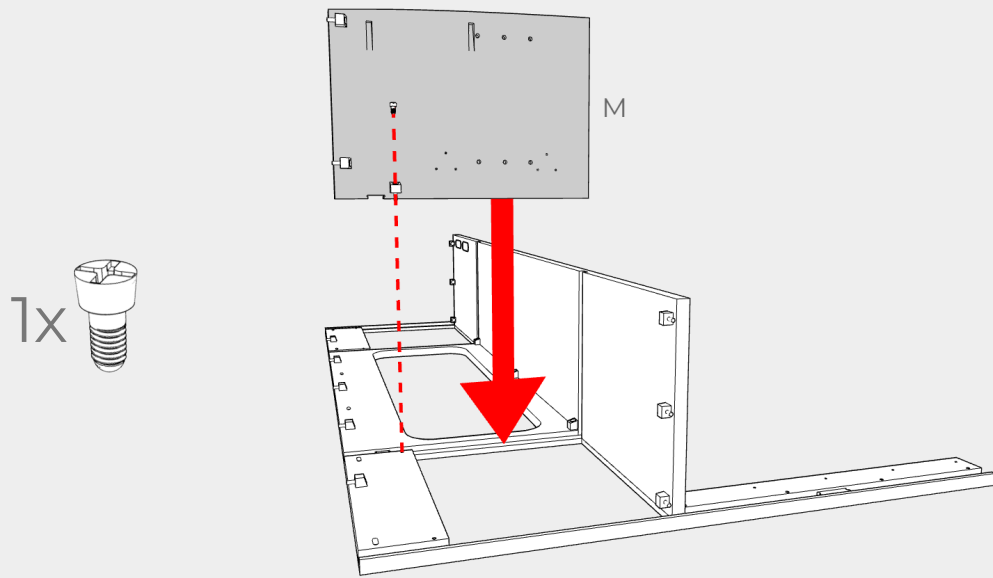
Note: We recommend dry-fitting wood panels before gluing to check the fit. Apply wood glue to channels where wood panels joint just before attaching. Repeat this for all wood joint pieces as you progress through your assembly.



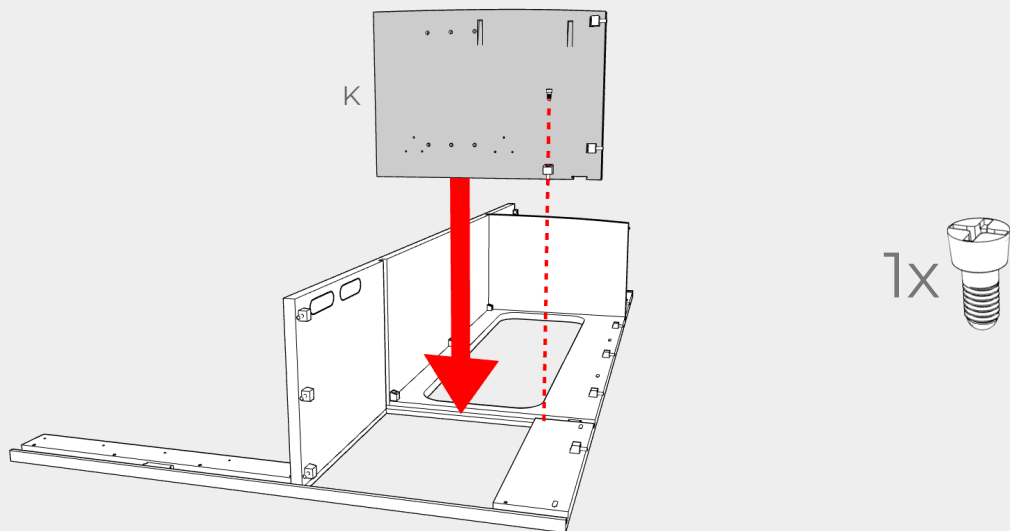
6



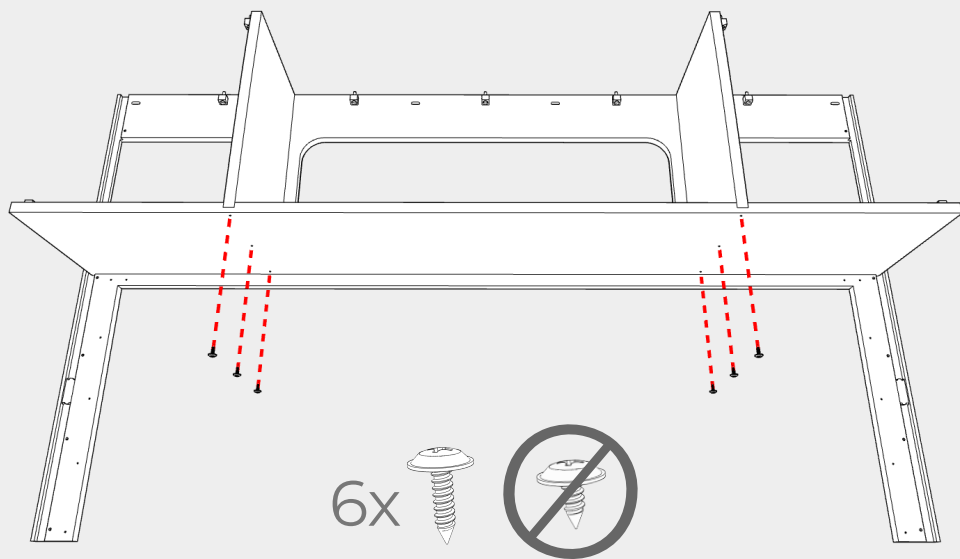
7



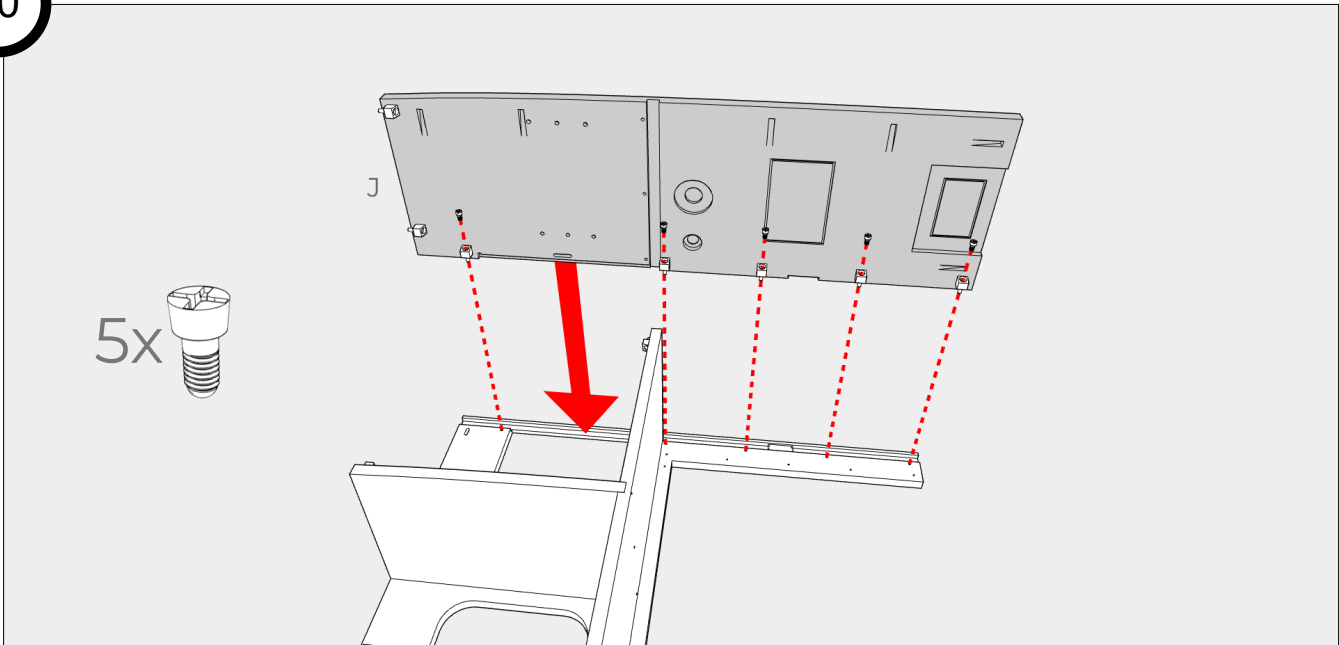
8



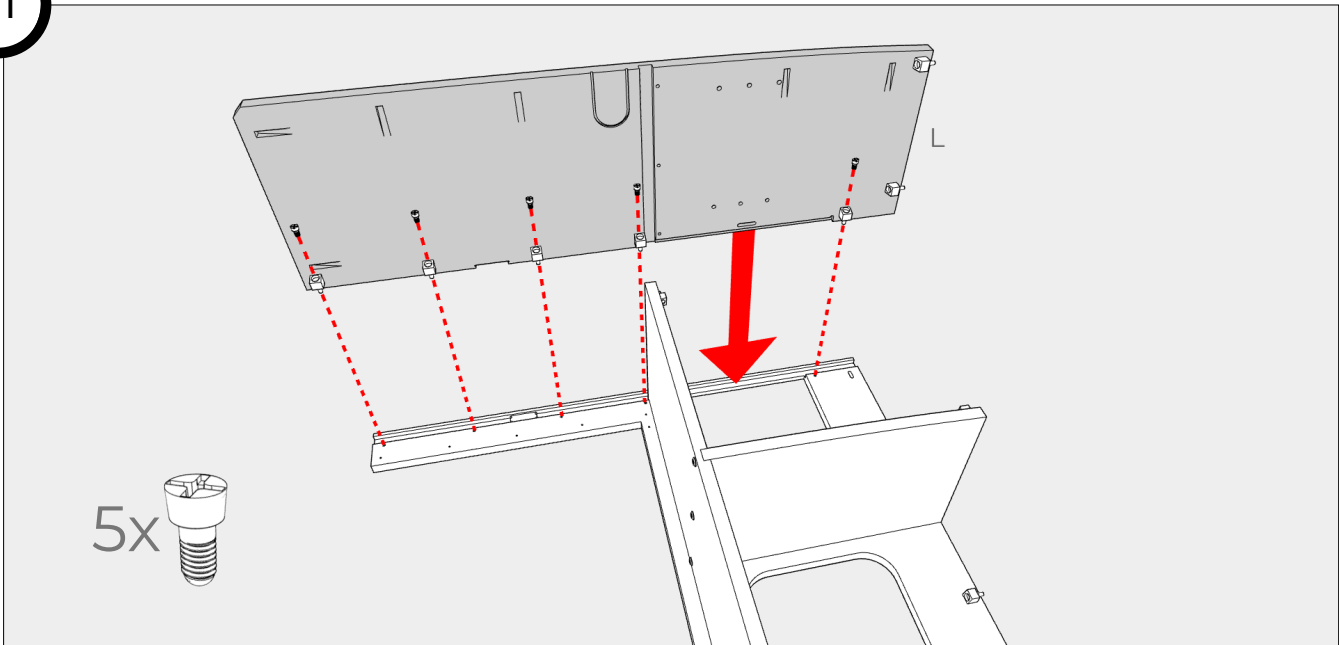
9



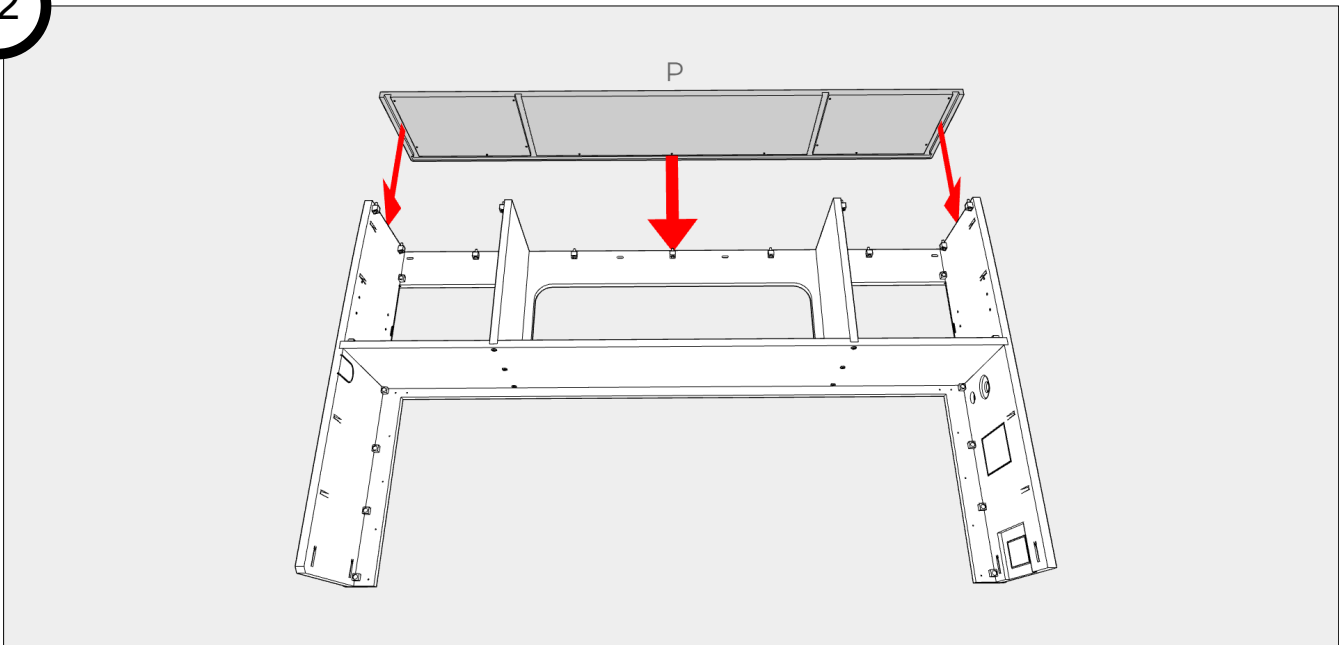
10



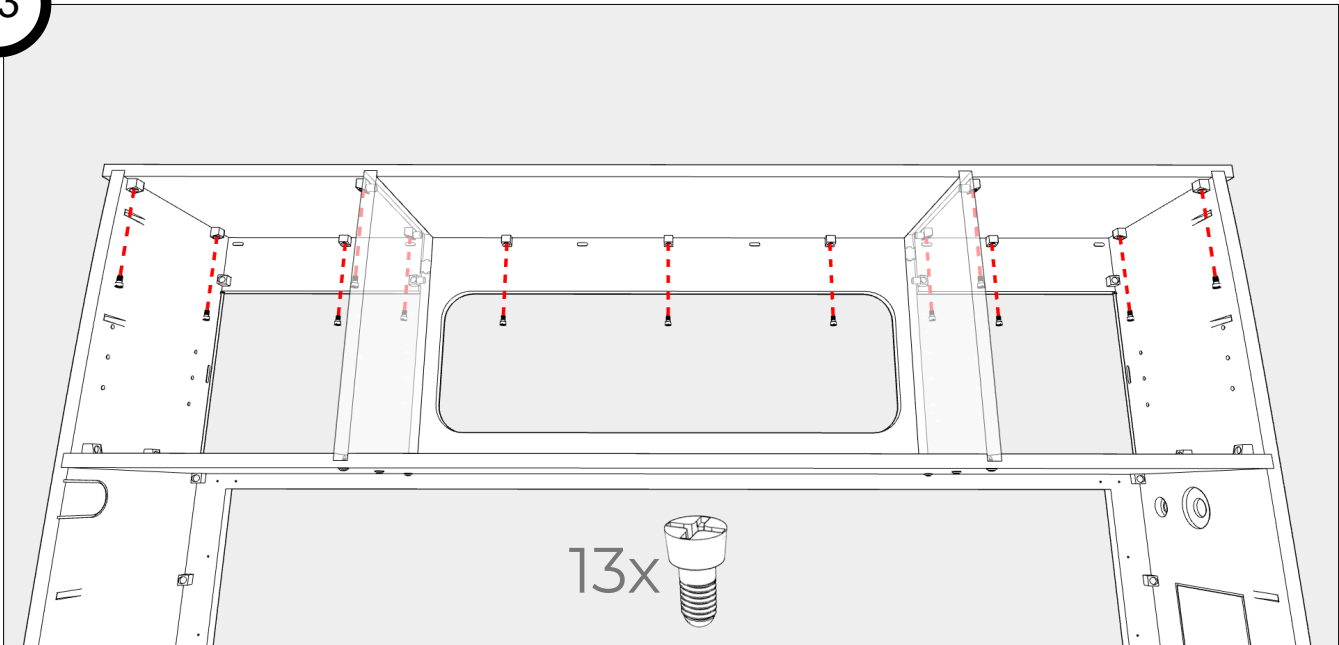
11



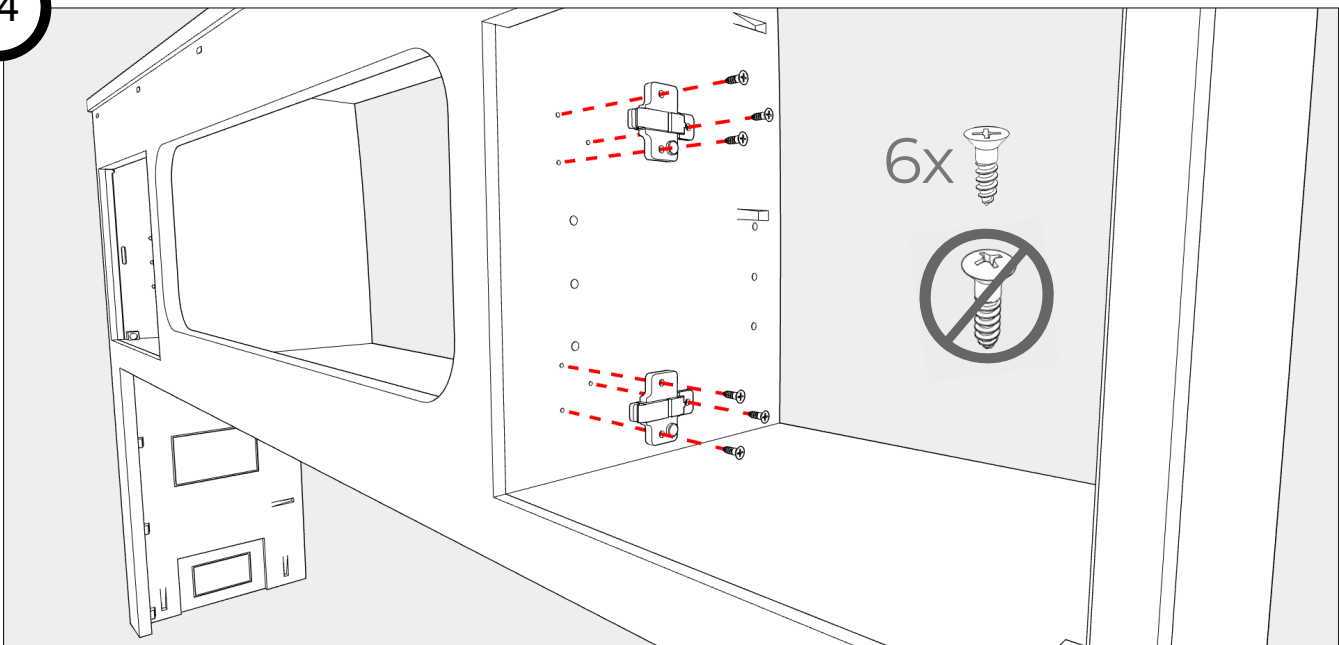
12



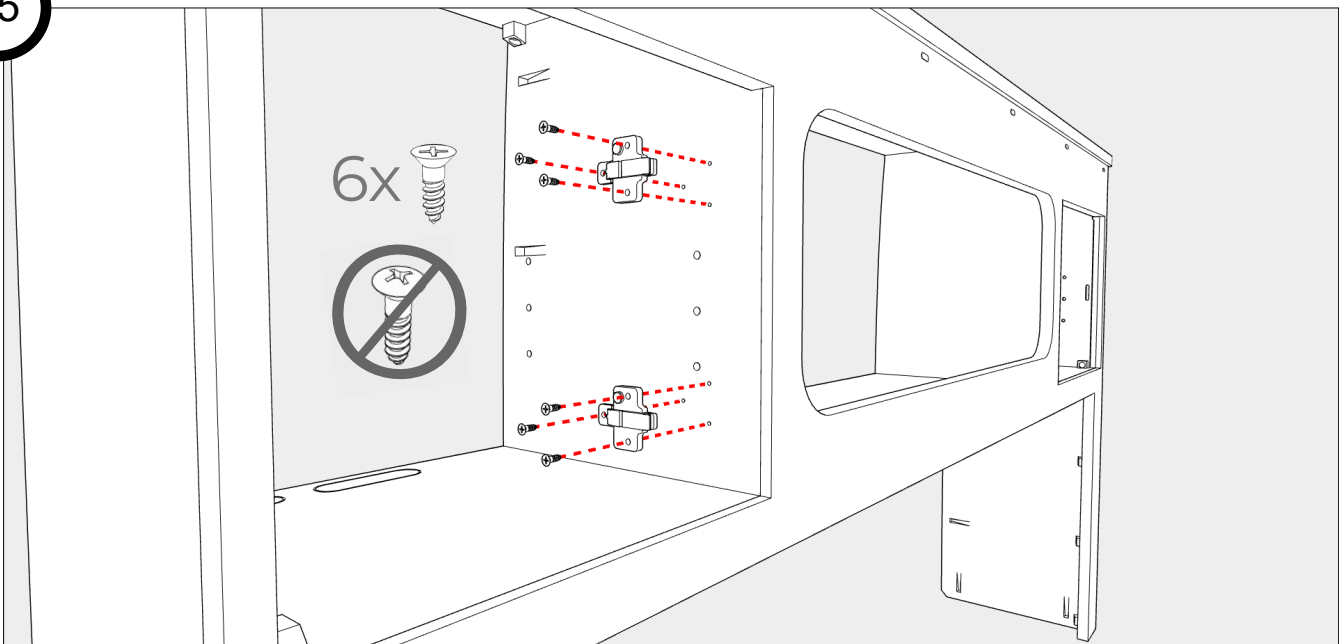
13



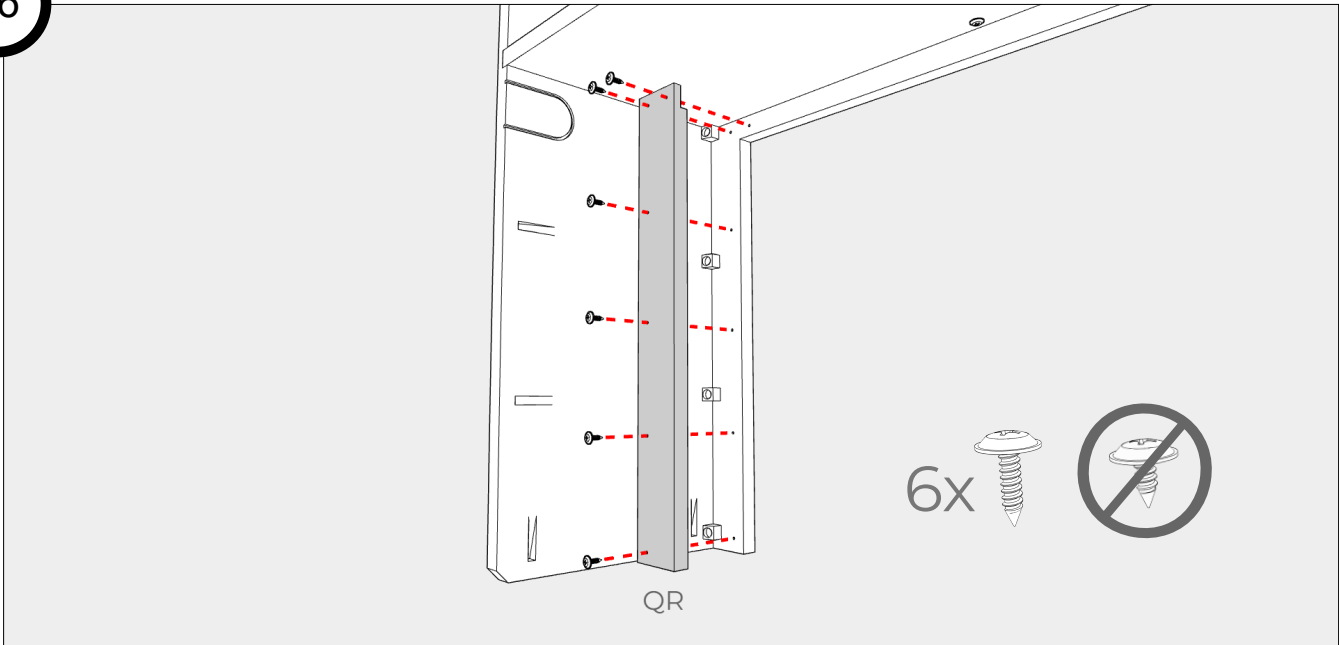
14



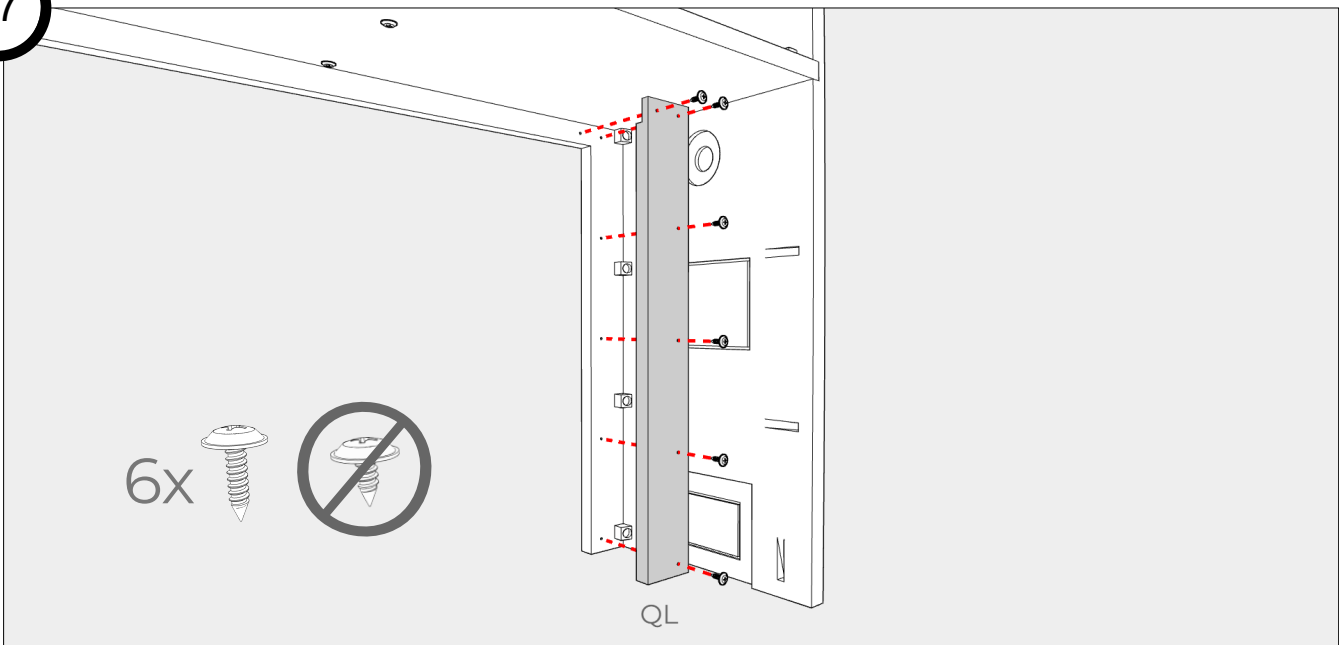
15



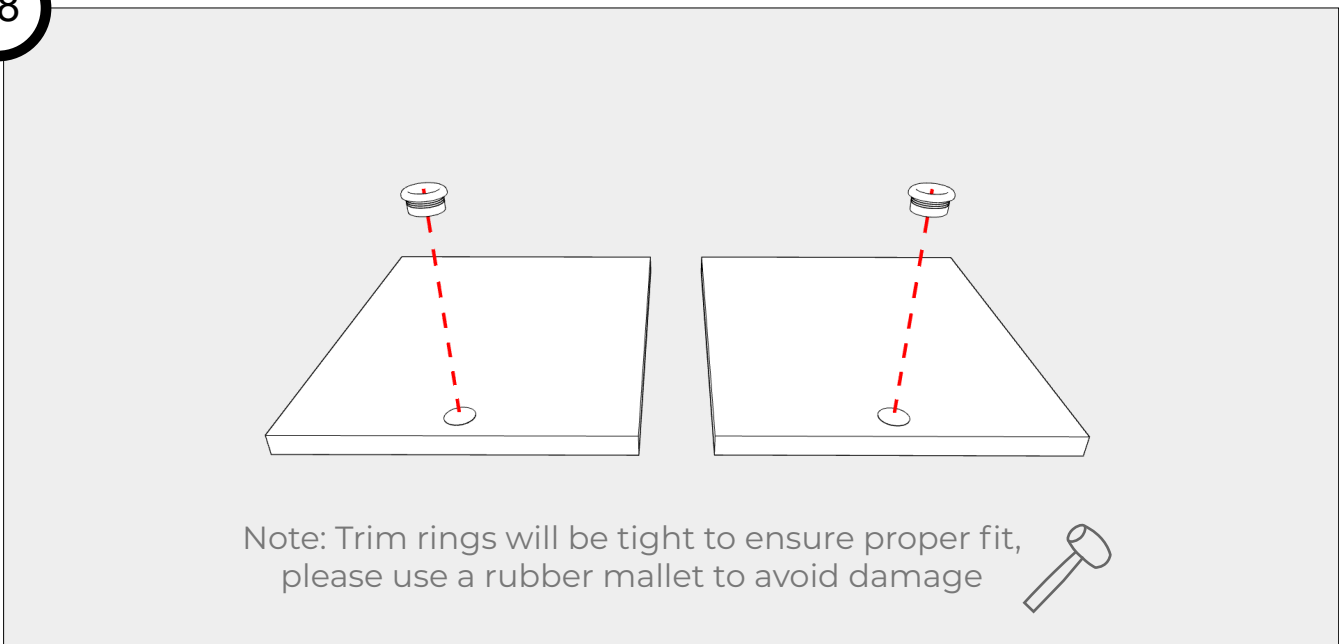
16

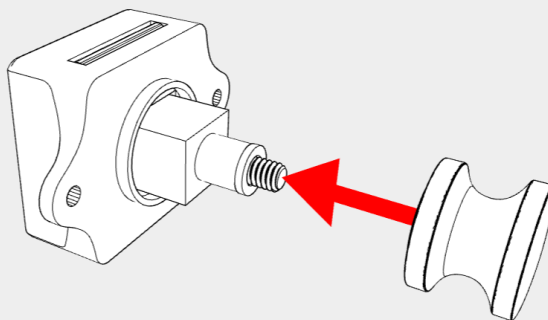
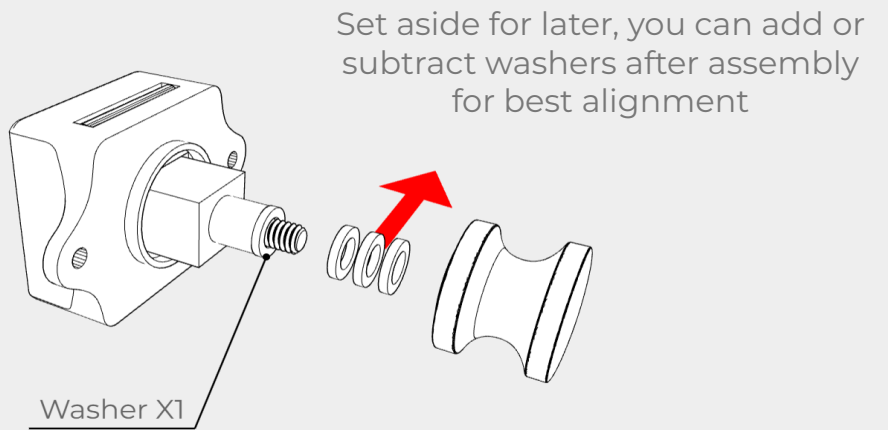
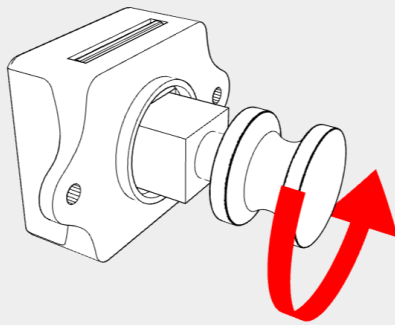


17

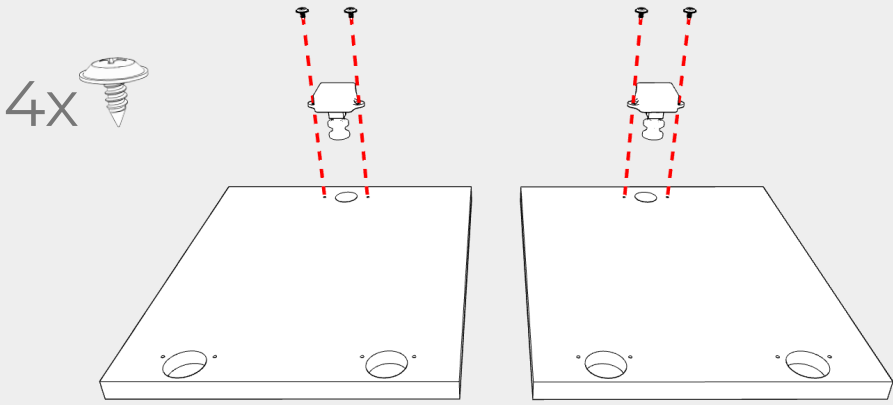


18

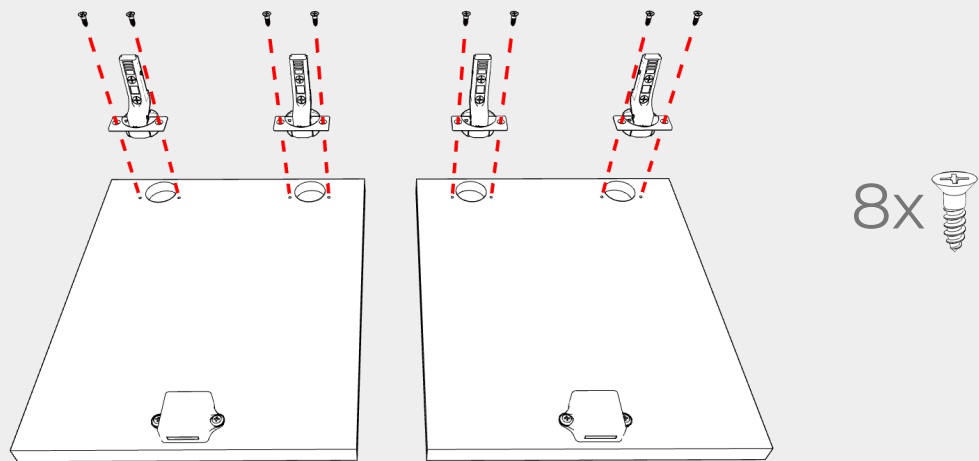




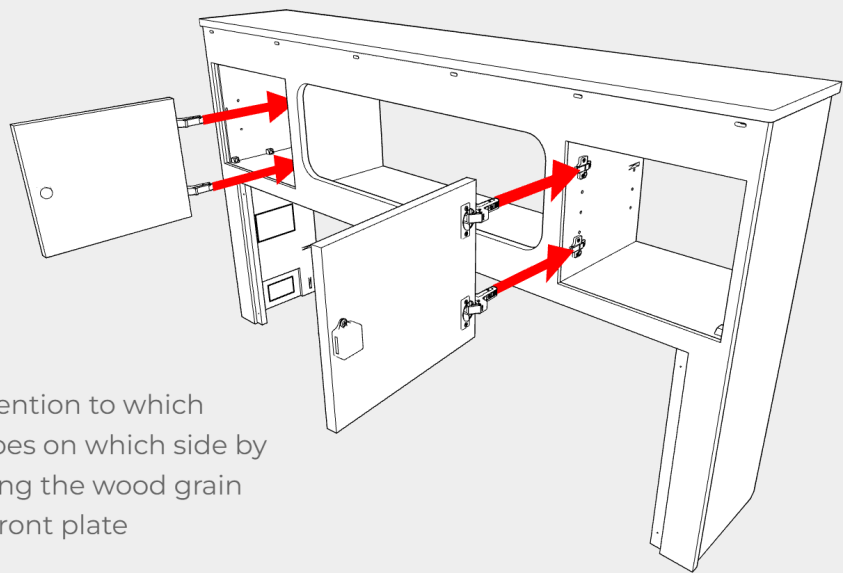
19



20

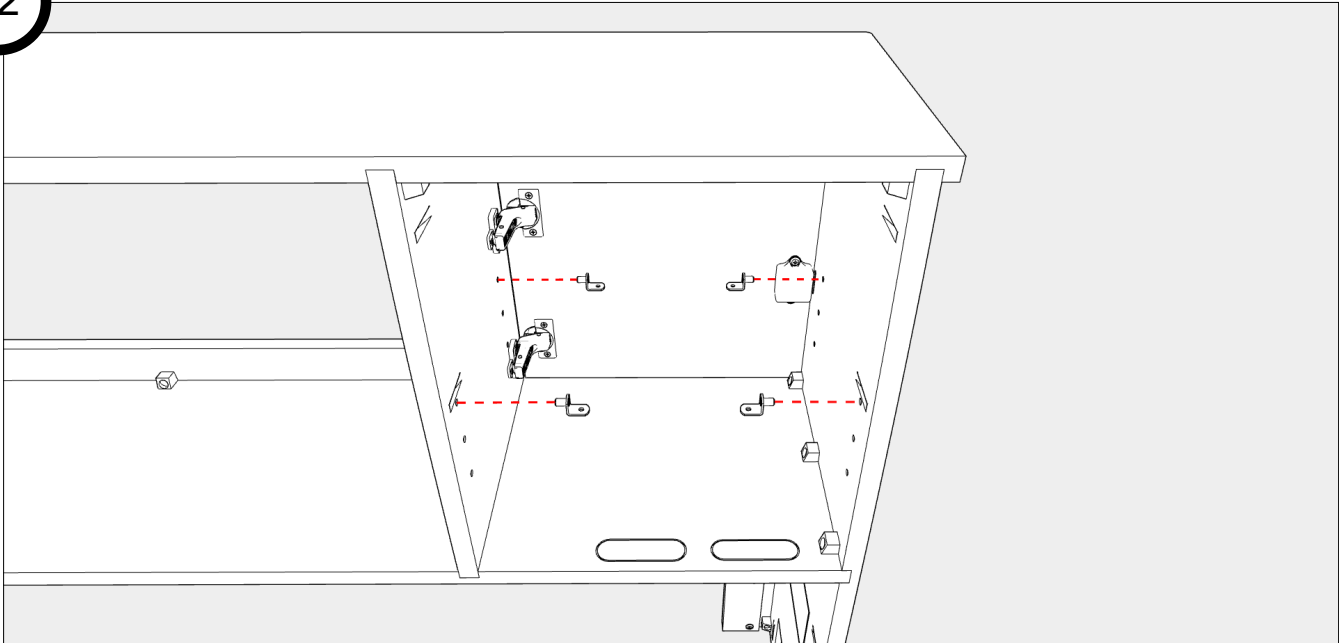


21

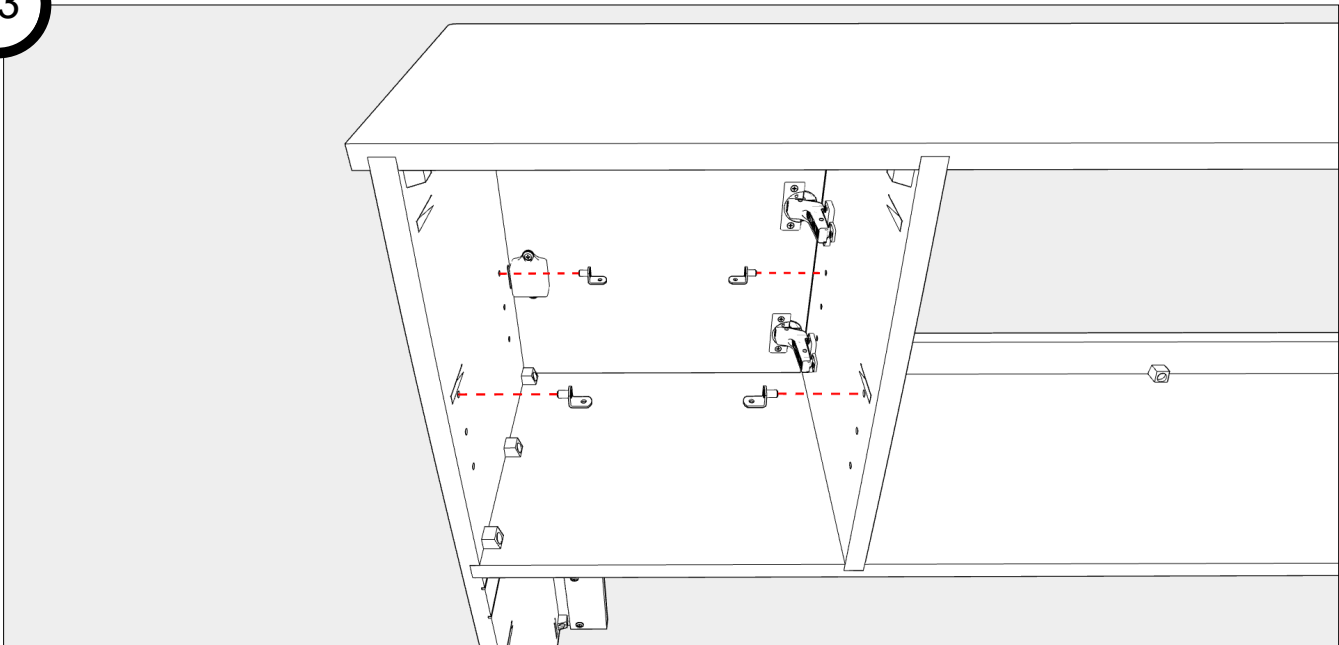


Note:
Pay attention to which door goes on which side by matching the wood grain to the front plate

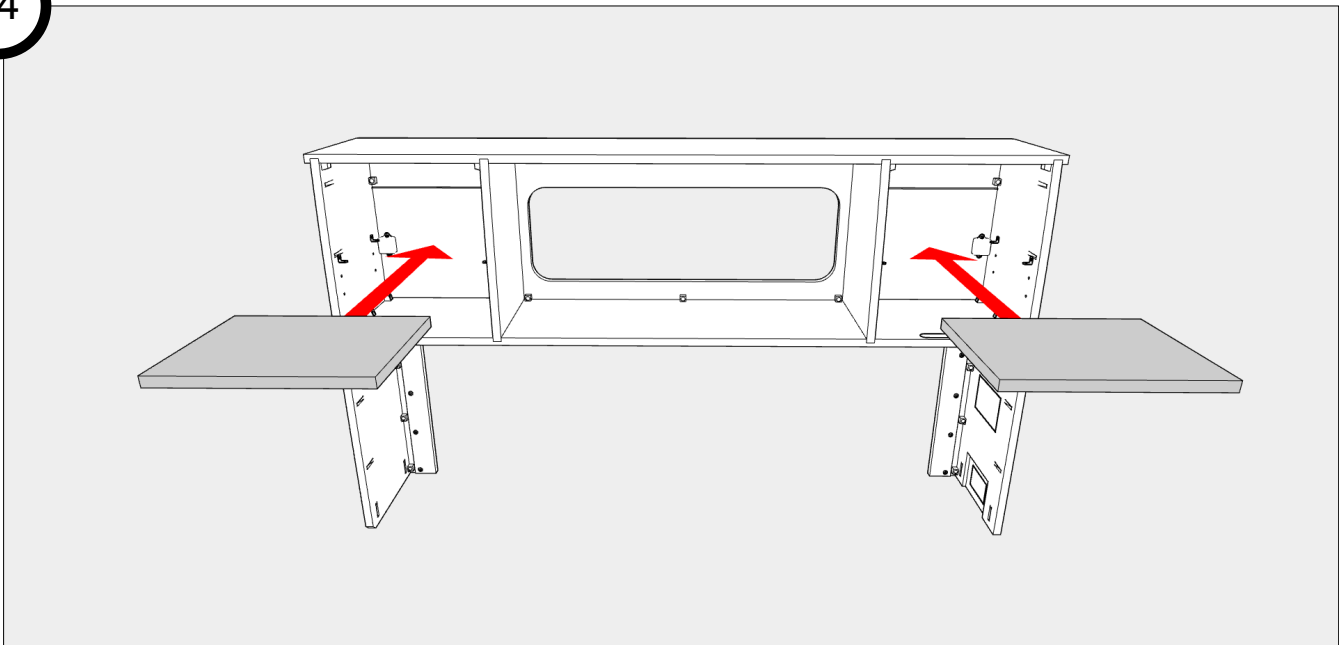
22



23

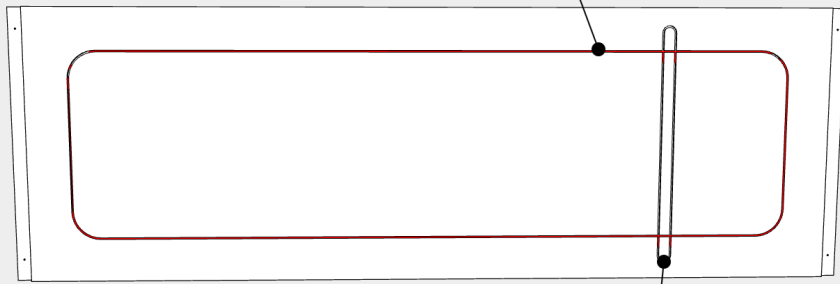


24



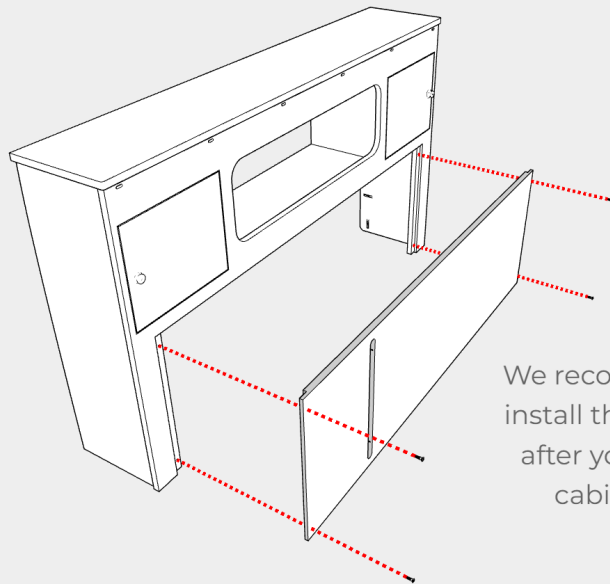
25

Tank Cover can be modified for your desired look, cut along guide to turn into a wheel well storage cubby



OR, if you want to use this space for a water tank, you can cut along this guide to have a view of how much water is in the tank

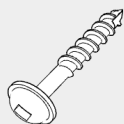
26



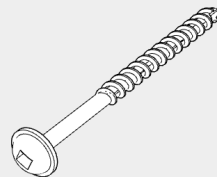
We recommend waiting to install this cover plate until after you've screwed the cabinet to your van

27

Make note of these screws to be used in van installation, and set aside. Driver and passenger wheel well cabs should be installed AFTER bi-slide bed assembly



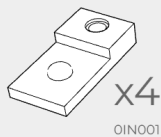
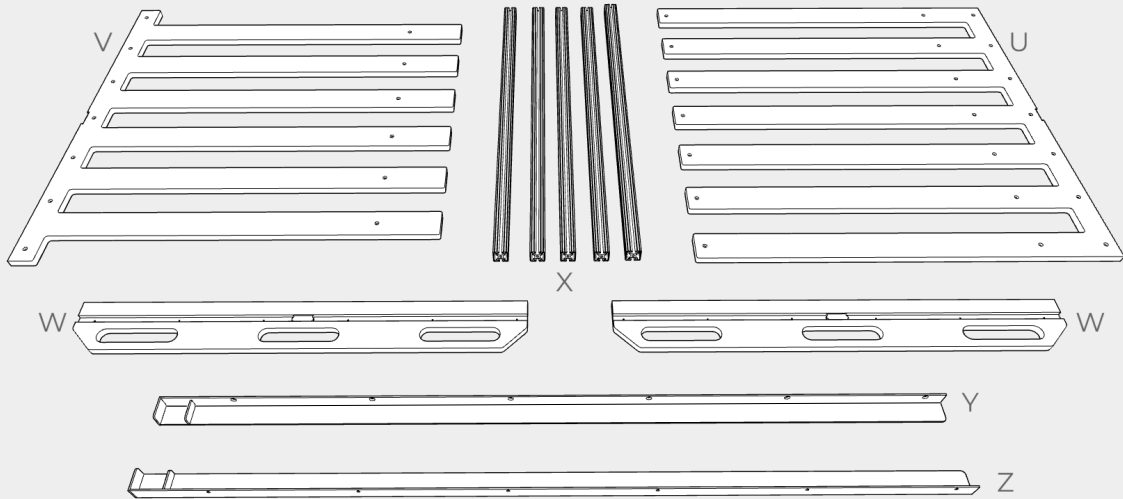
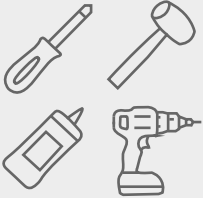
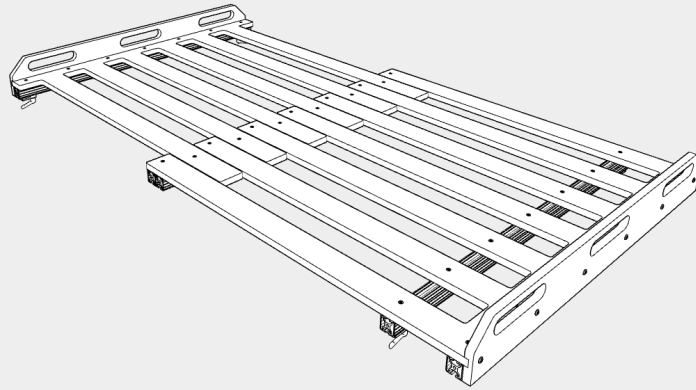
Screw horizontally to attach cab to wall



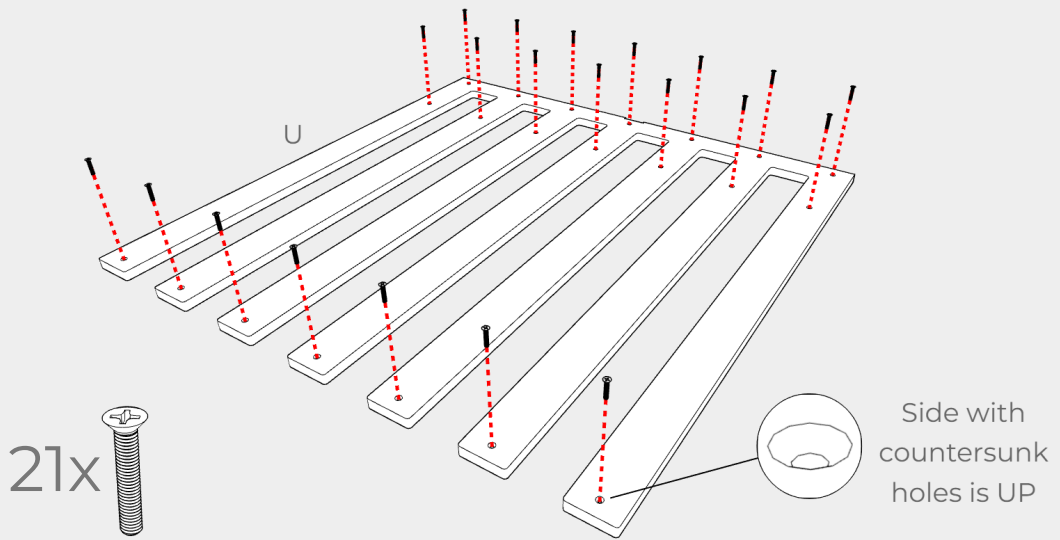
Screw vertically to attach cab to floor

DIY WWC BI-SLIDE BED

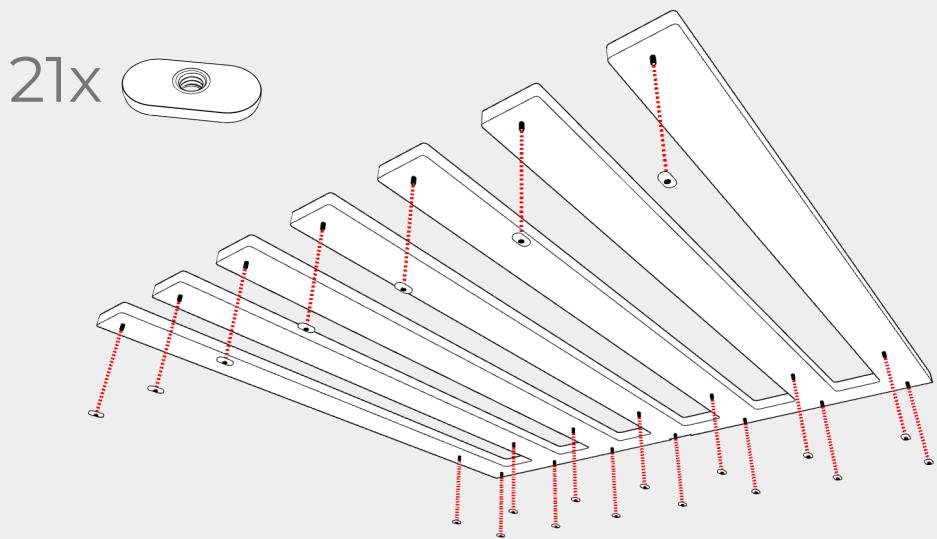
TIMBER



1

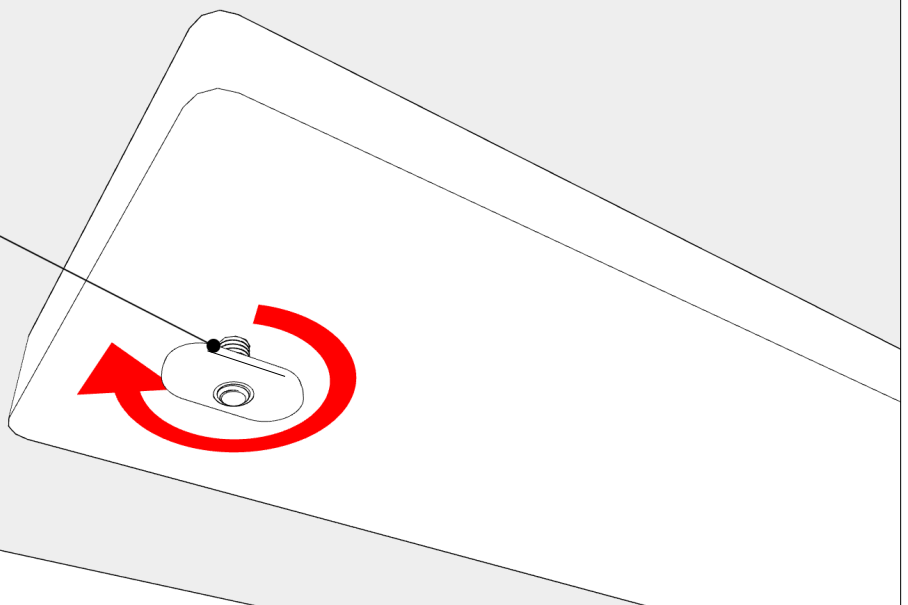


2

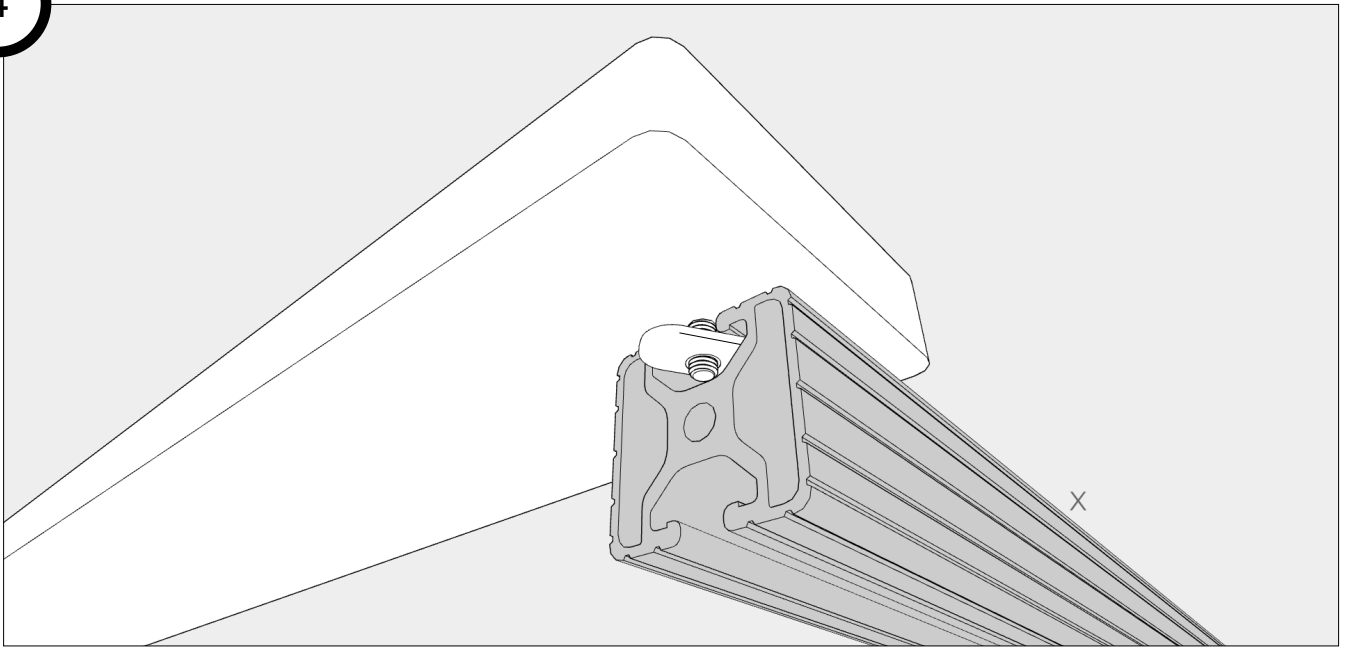


3

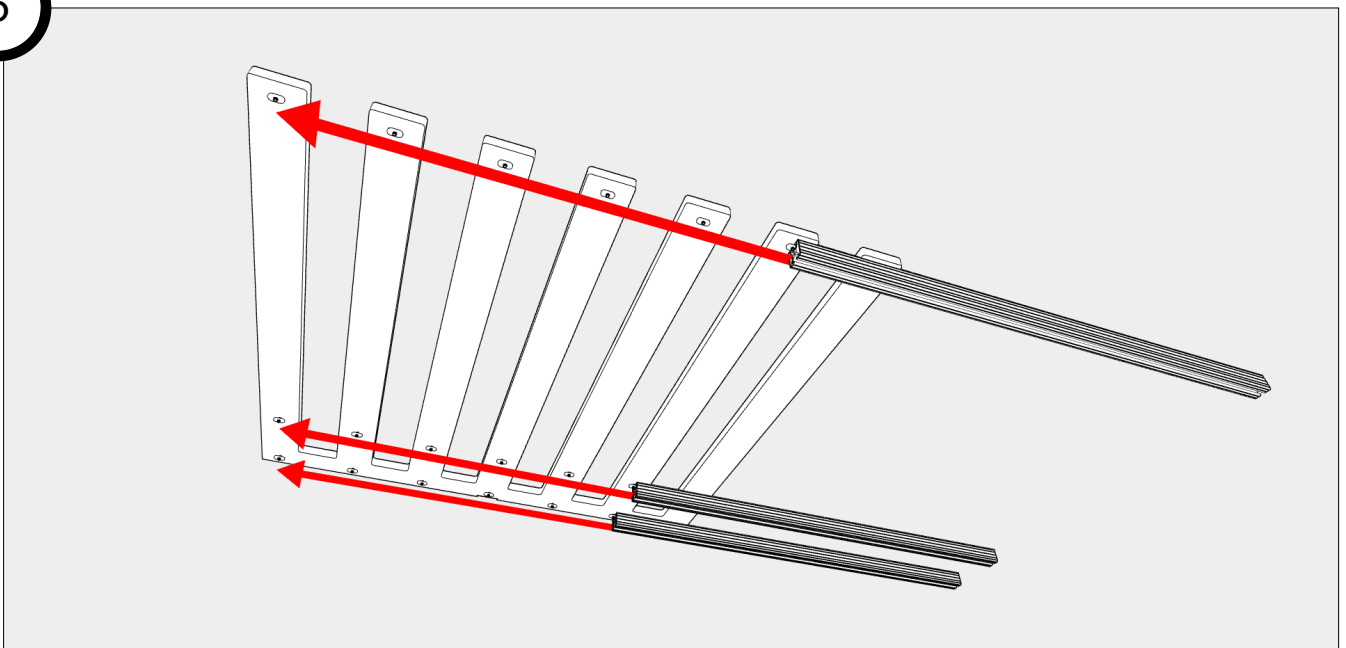
Leave room between T-nut and wood for cross-bar to slip through



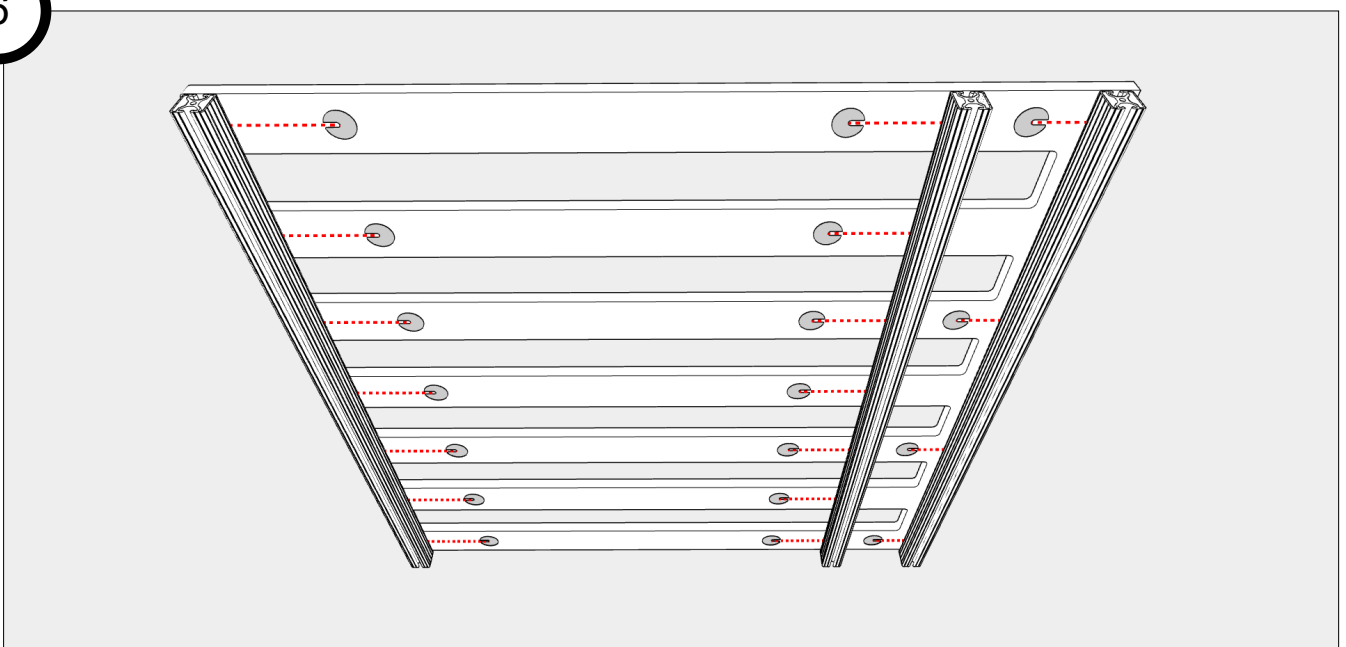
4



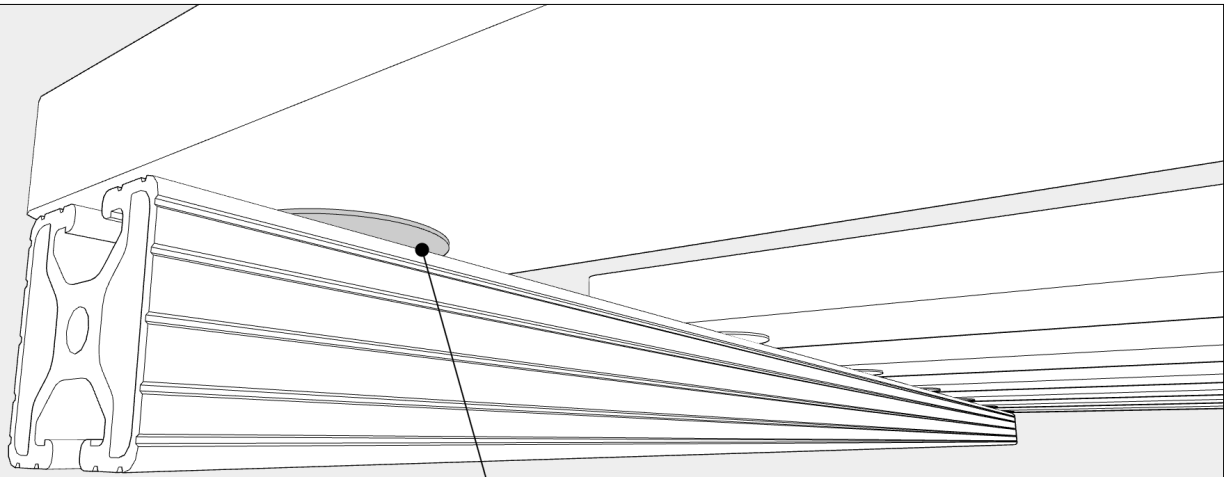
5



6



7



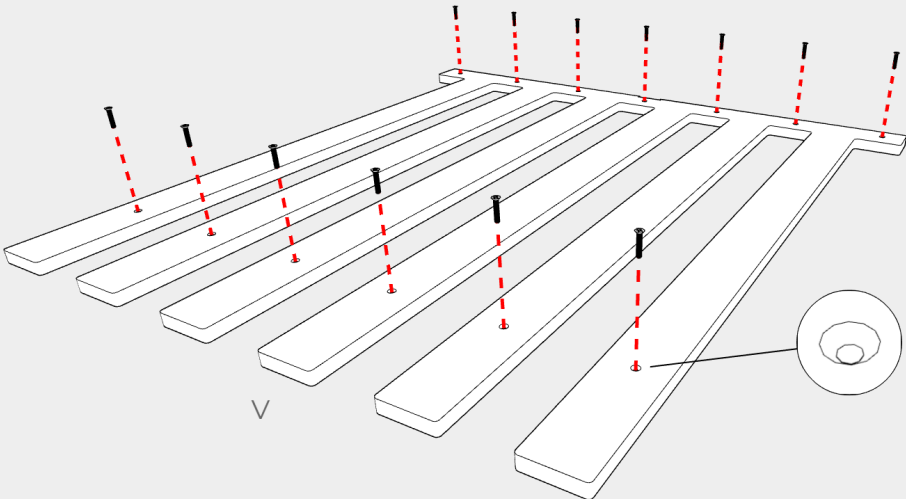
Washer should push almost all the way in, you may need to loosen screws on the top

8



ALL

9

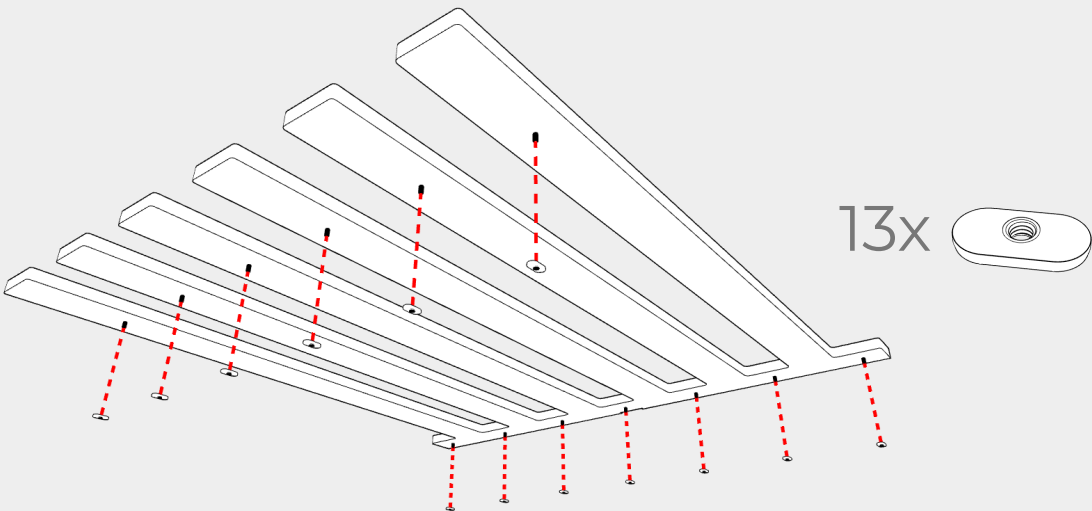


13x

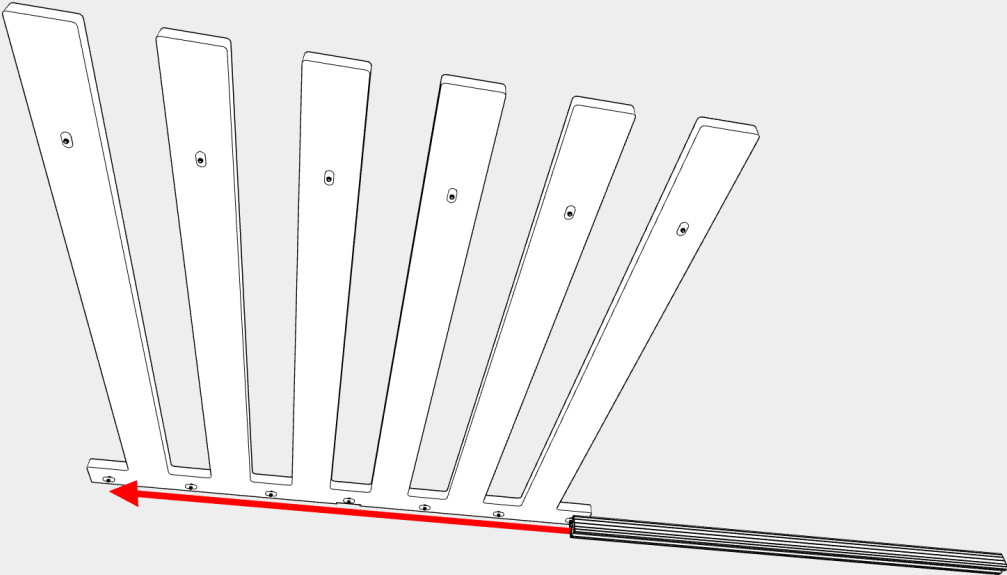


Side with countersunk holes is UP

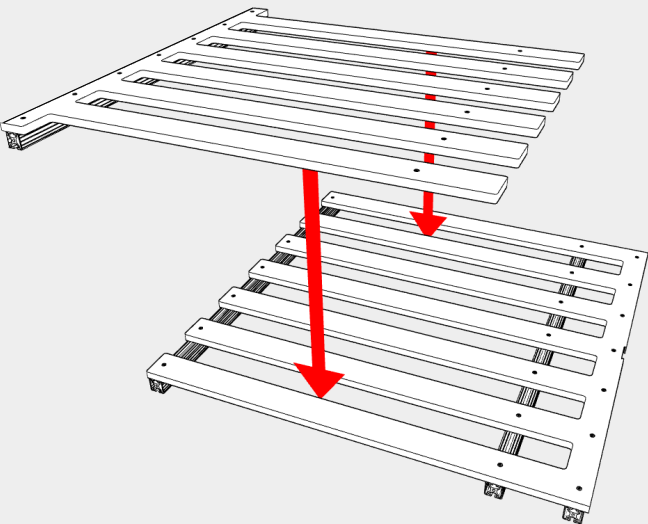
10



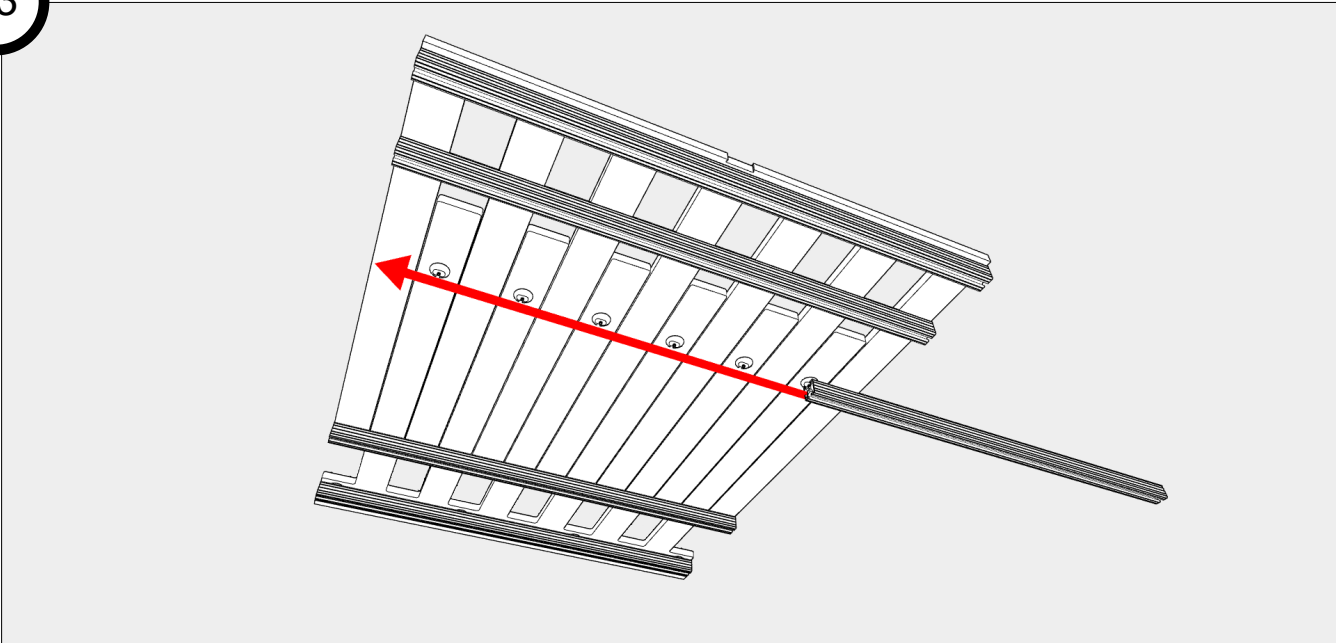
11



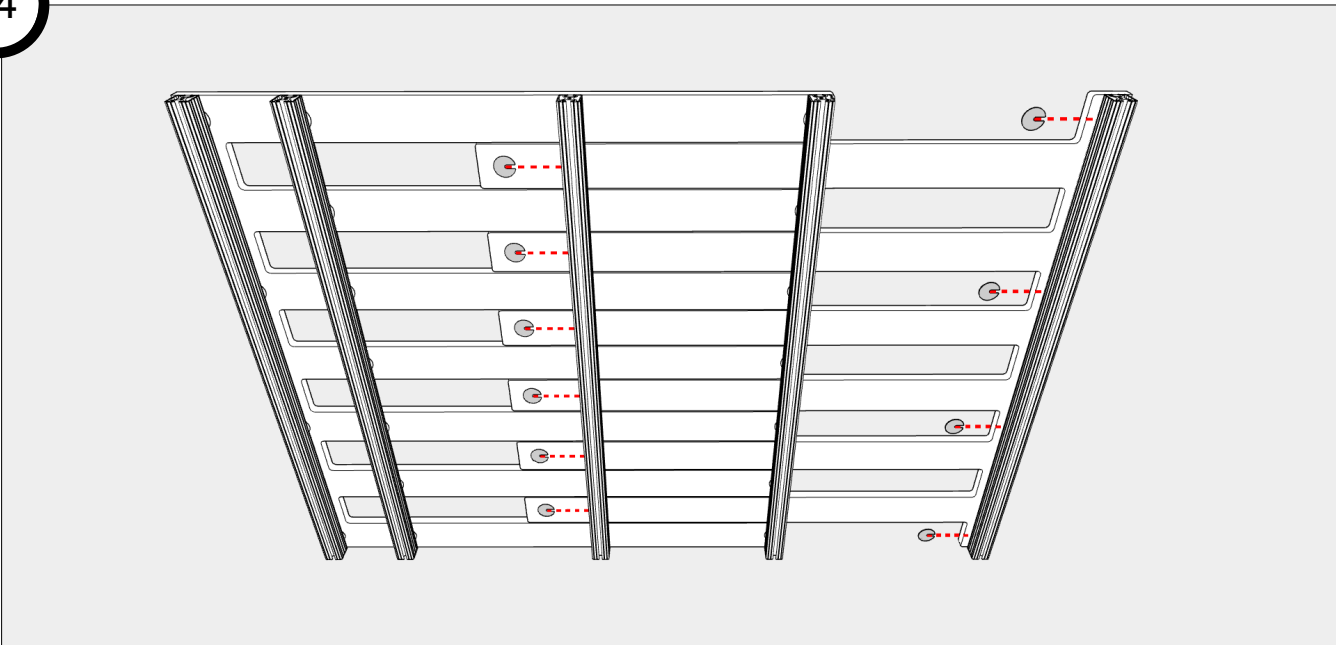
12



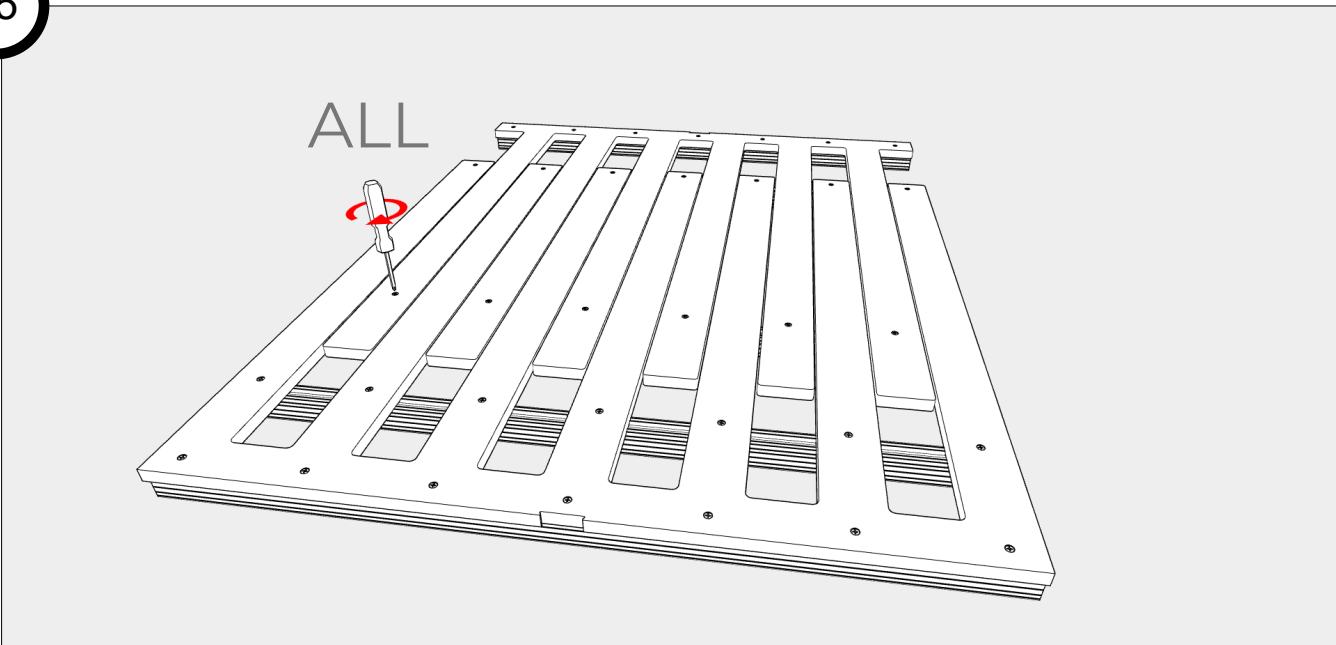
13



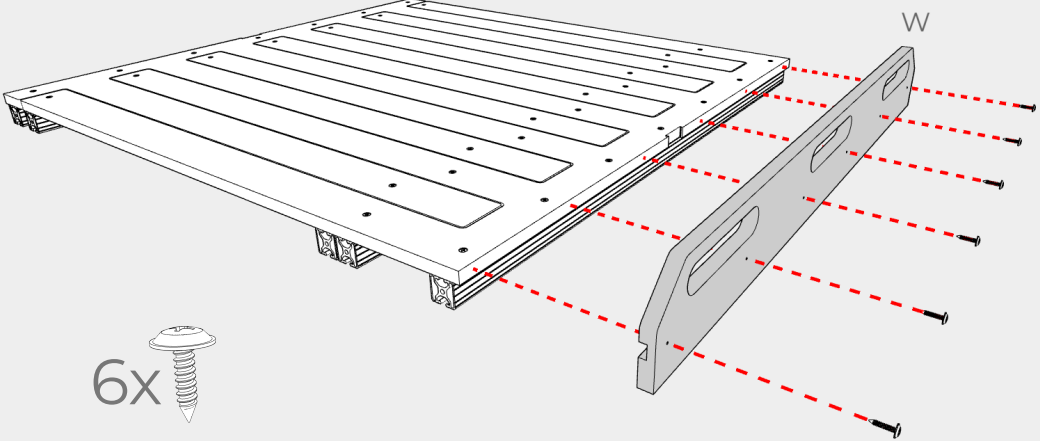
14



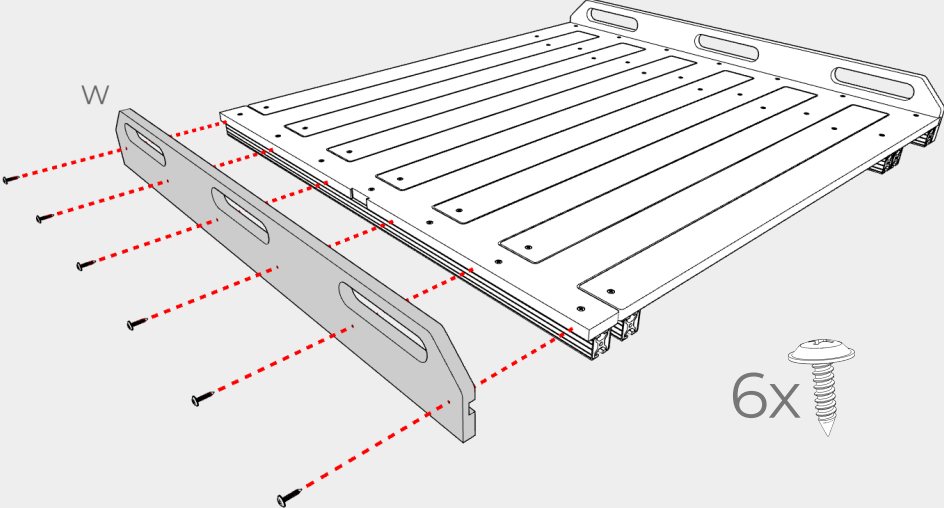
15



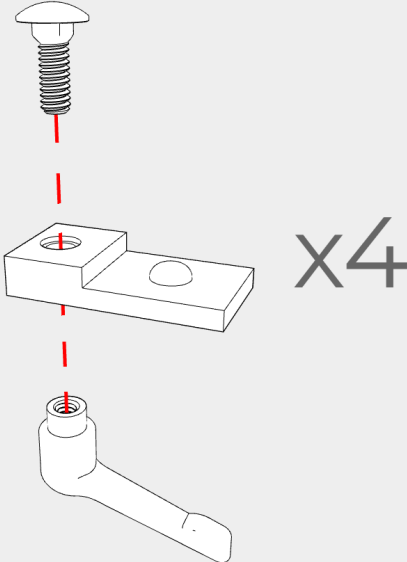
16



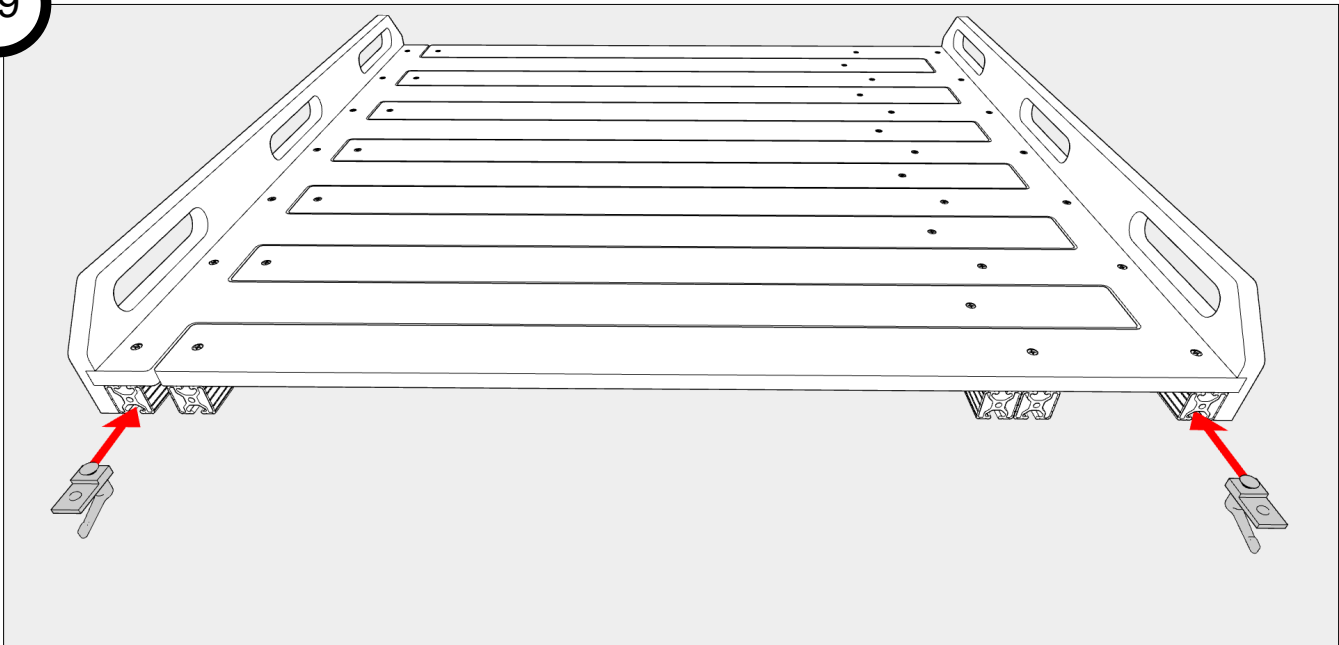
17



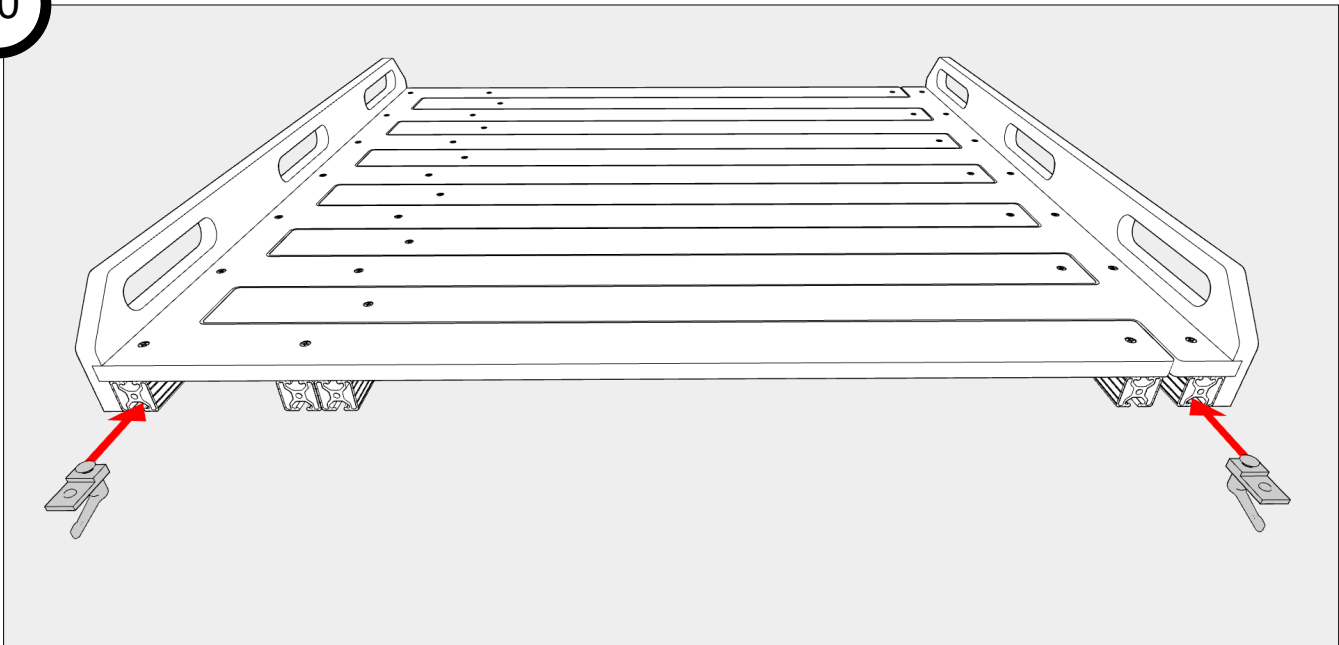
18



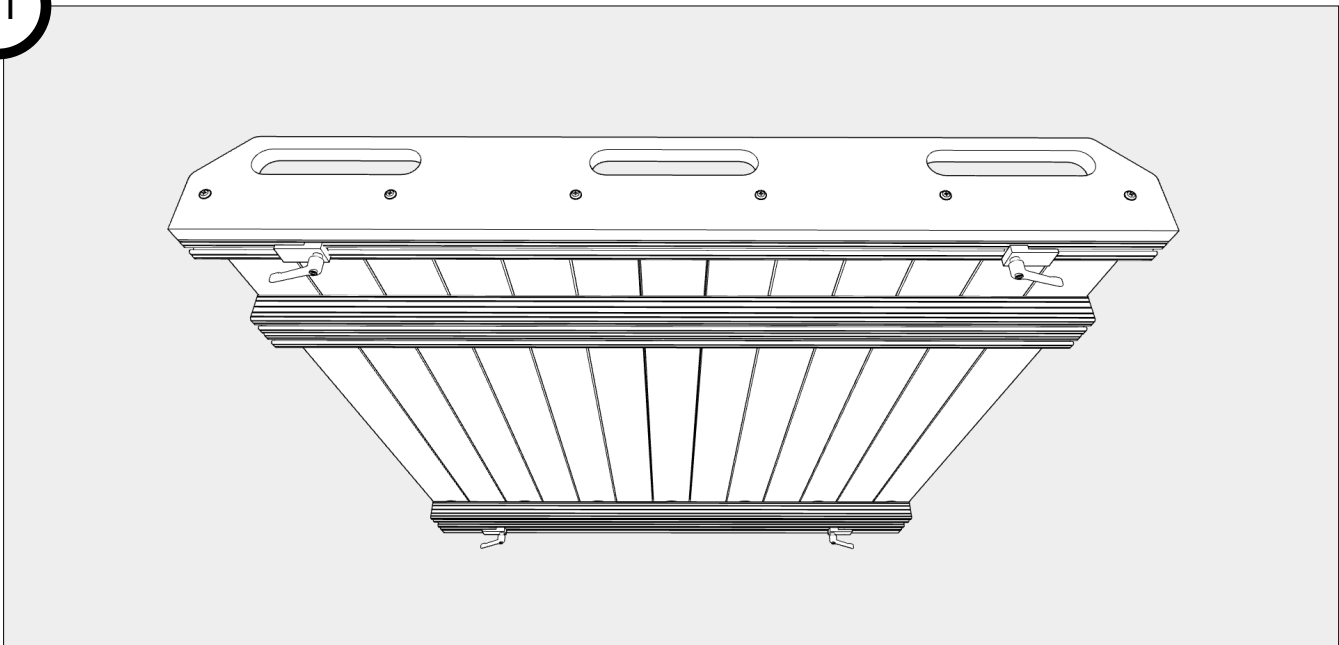
19



20



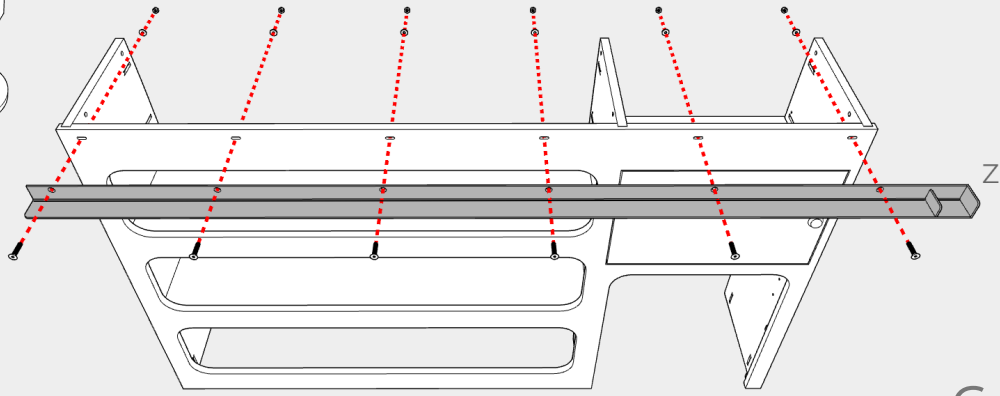
21



22

6x 

6x 



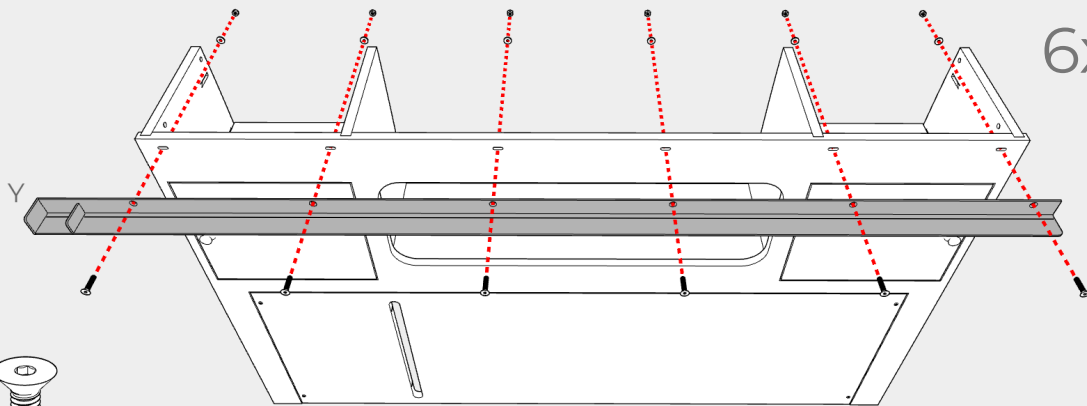
6x 

*Top of cabinet hidden for clarity

23

6x 

6x 



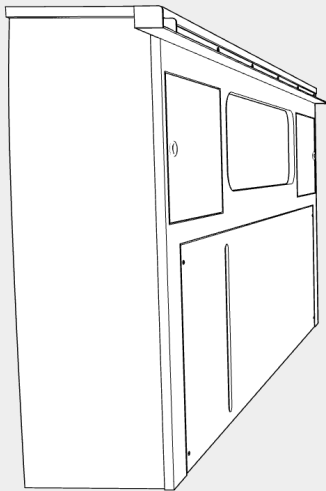
6x 

*Top of cabinet hidden for clarity

24

Driver Side

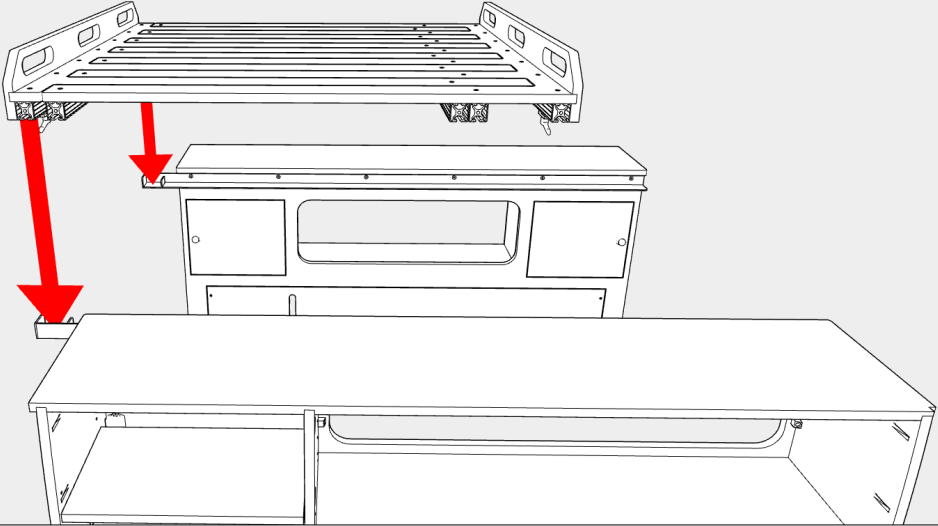
Passenger Side



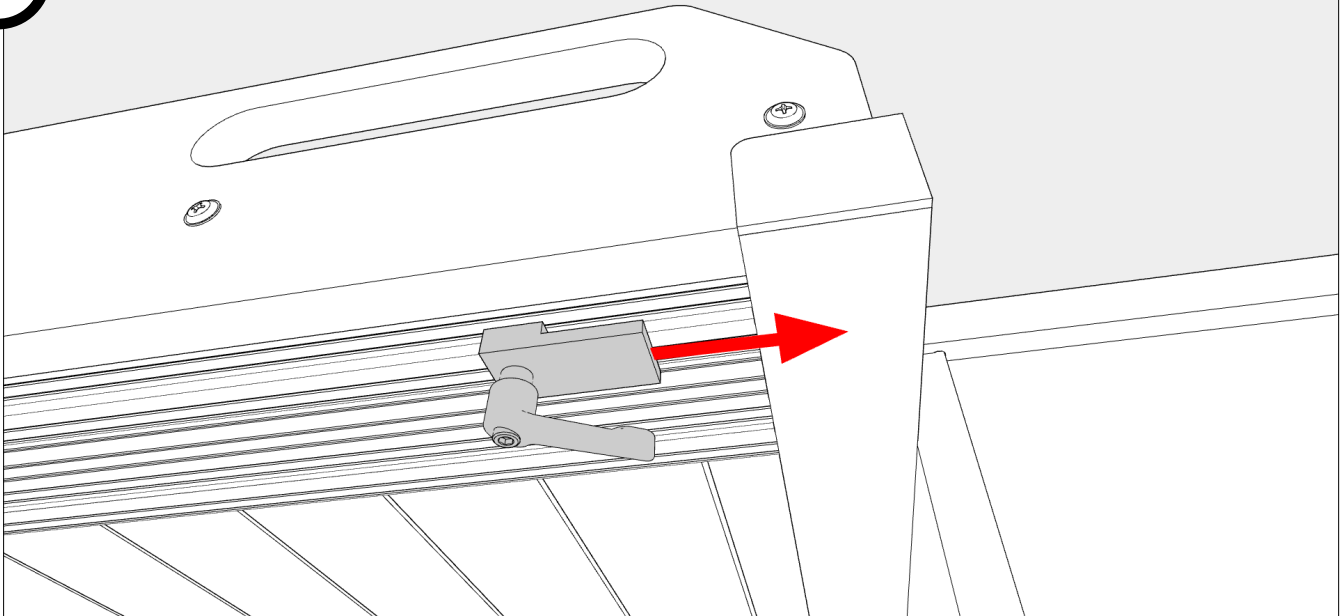
Install Wheel Well Cabinets in van before proceeding (see install PDF)

25

Note bed orientation upon insertion onto rails

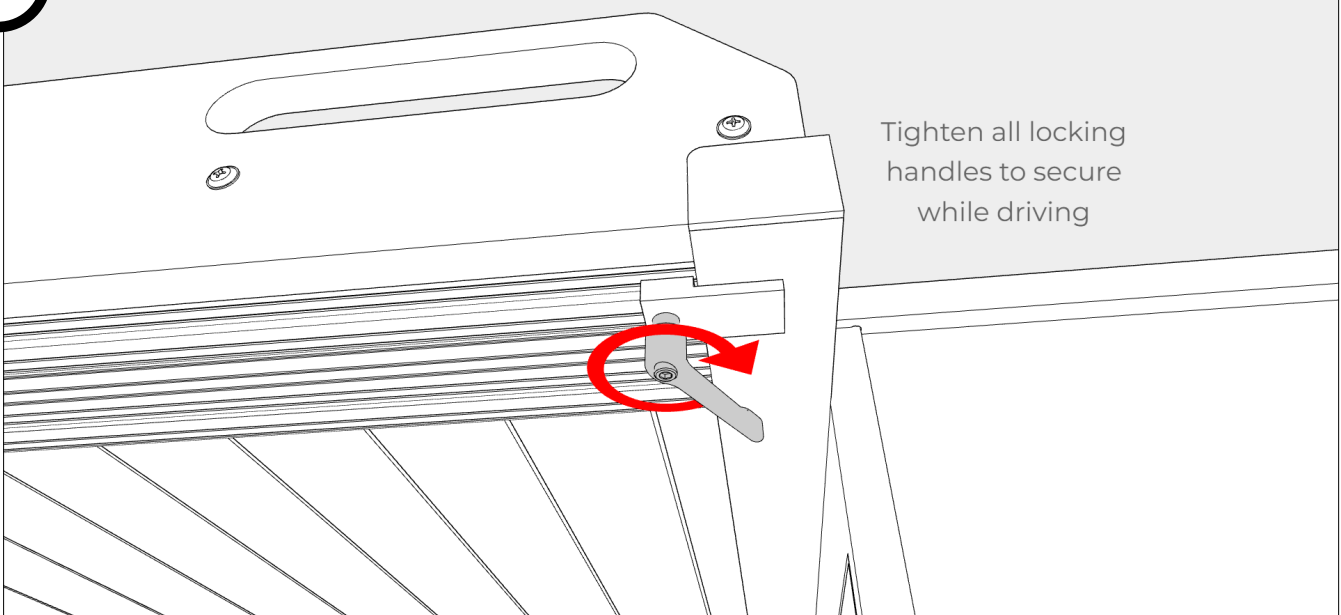


26

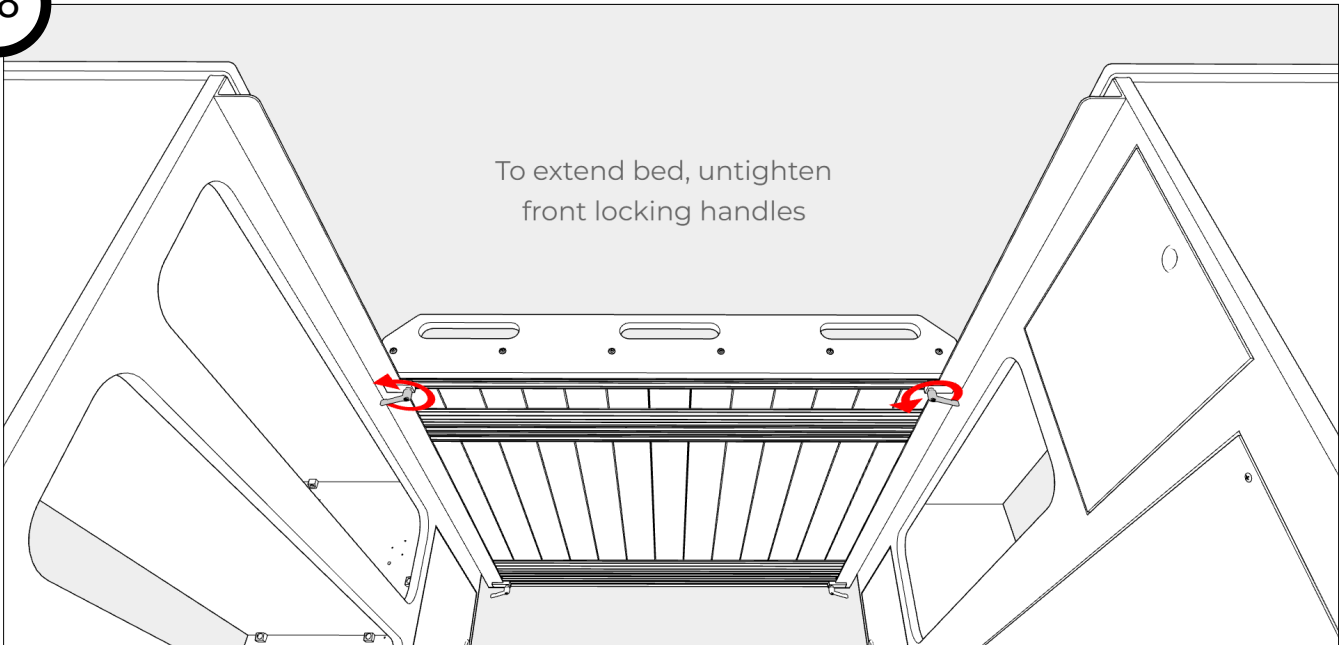


27

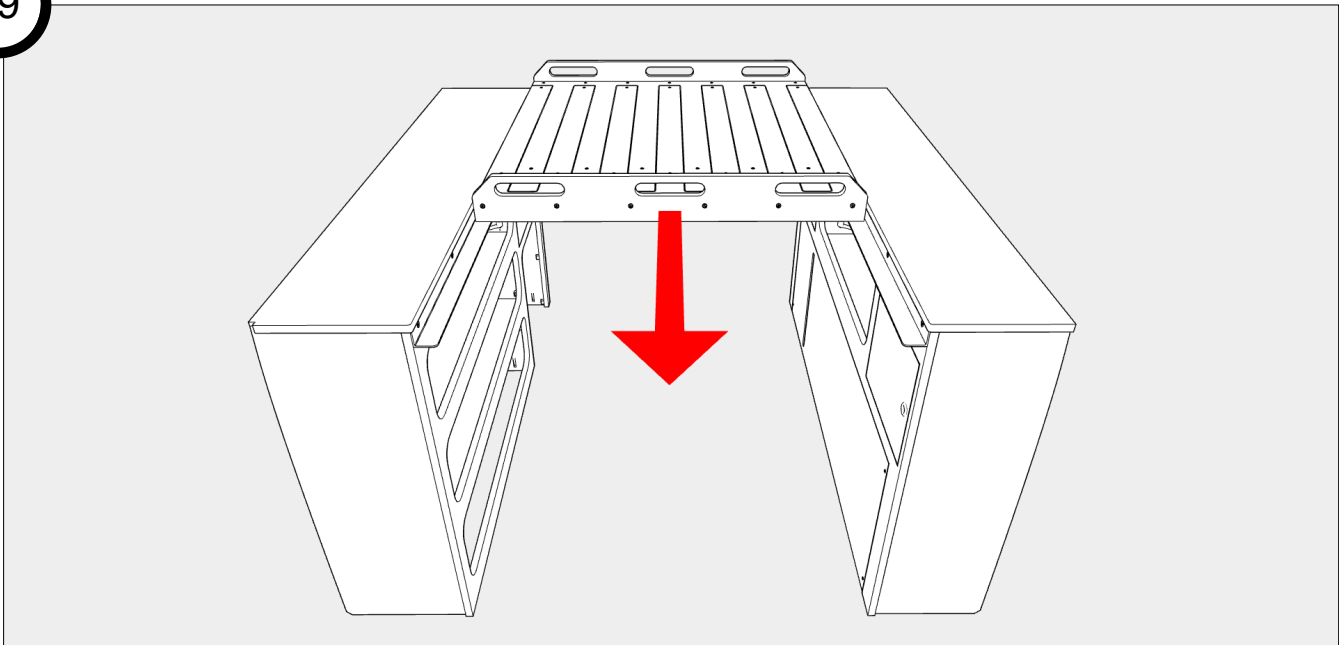
Tighten all locking handles to secure while driving



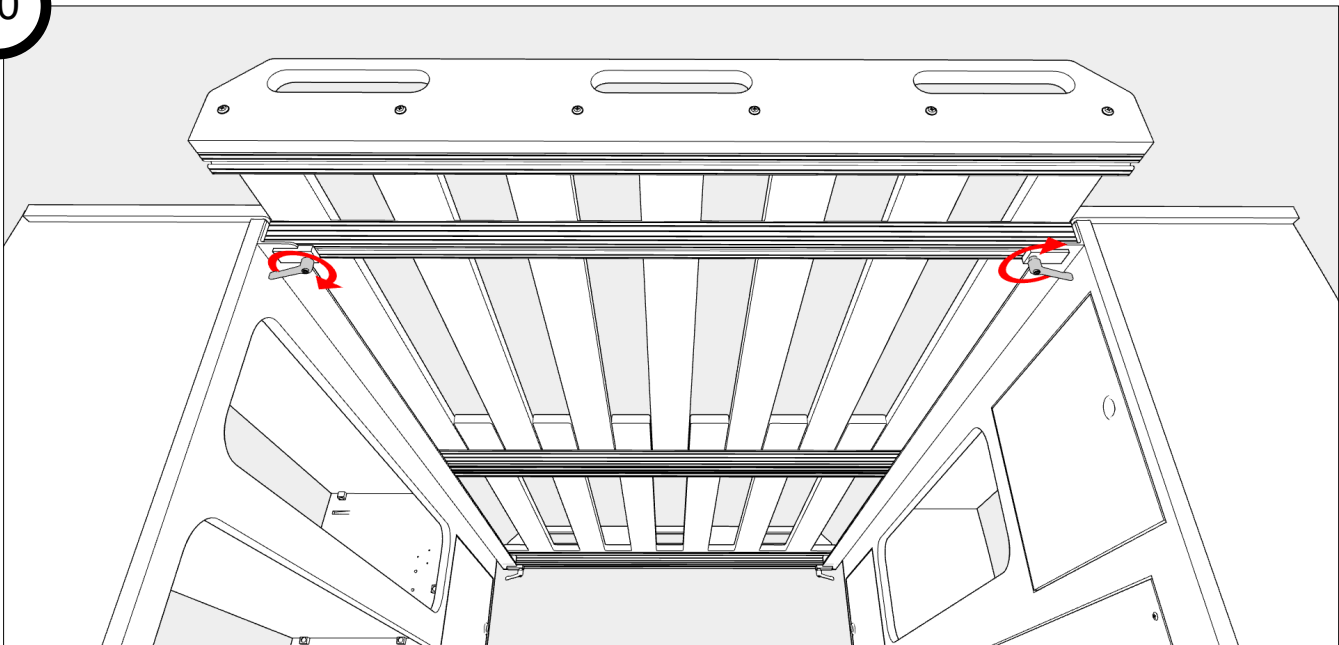
28



29

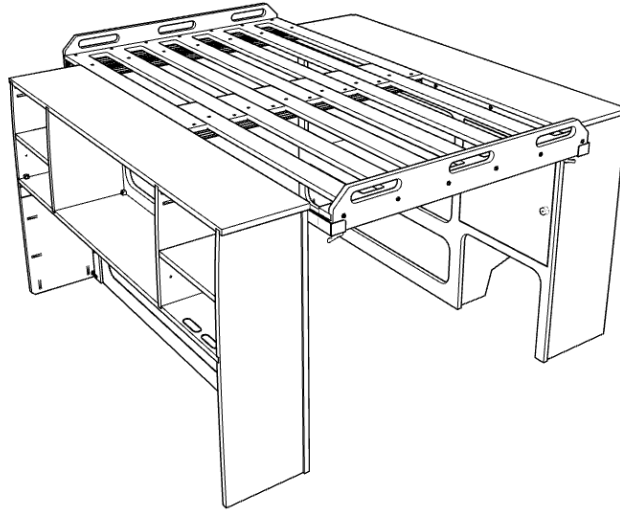


30



TIMBER

WWC & Bed Assembly Complete
Congratulations!



We'd love to see your finished wood cabinet in its new home! Share your photos on social media using the hashtag #TimberVanKits, and don't forget to tag us. Your creations inspire us, and we believe they will inspire others too.

Thank you once again for choosing Timber Van Kits. Your dedication and craftsmanship have brought our product to life, and we look forward to being a part of your future adventures!

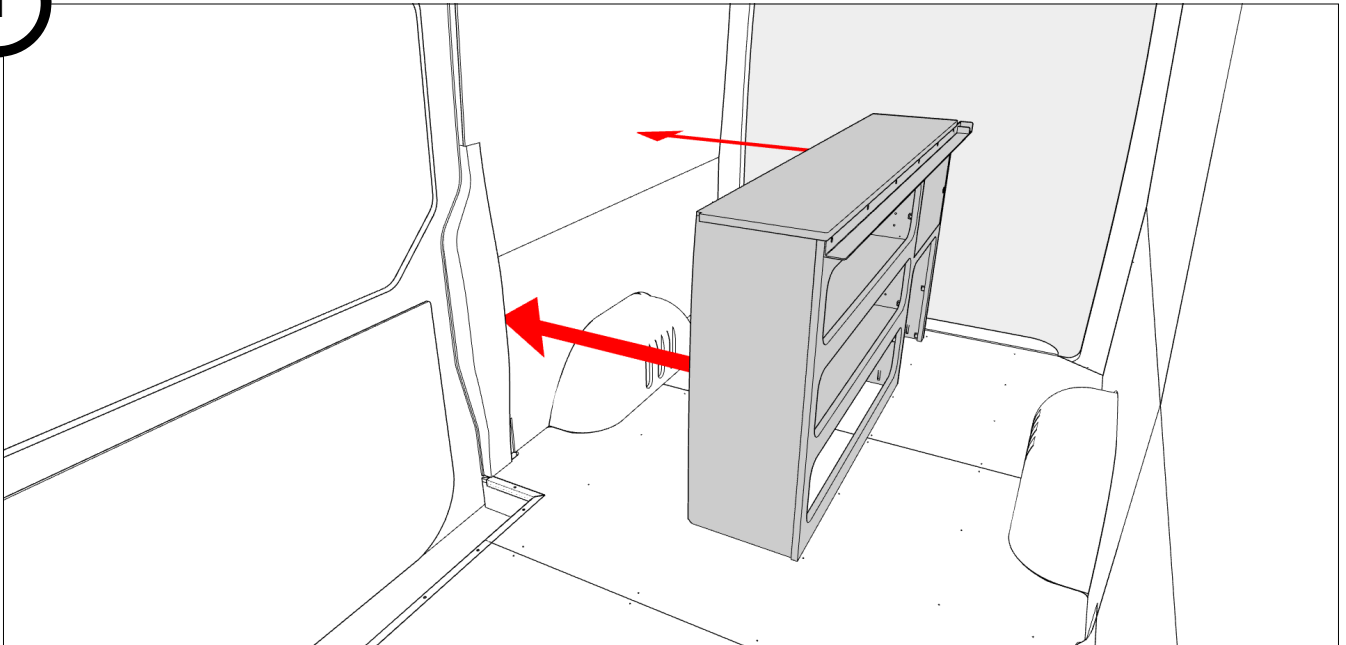
[TIMBERVANKITS.COM](https://www.timbervankits.com) • 720-282-5075

Have a question or issues with your product? Feel free to call us or send a message via the [contact page](#) on our website. If you call us and we can't get to the phone please leave us a message and we'll get back to you as soon as we can.

 facebook.com/timbervankits

 instagram.com/timbervankits

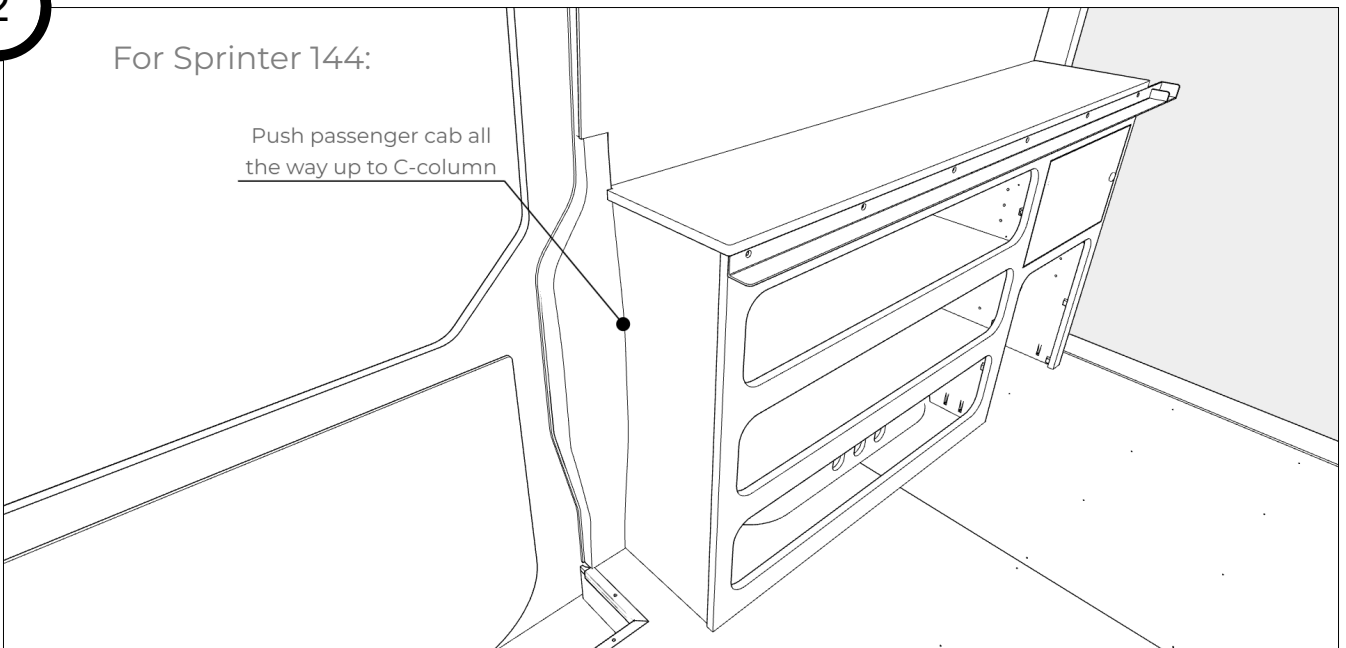
1



2

For Sprinter 144:

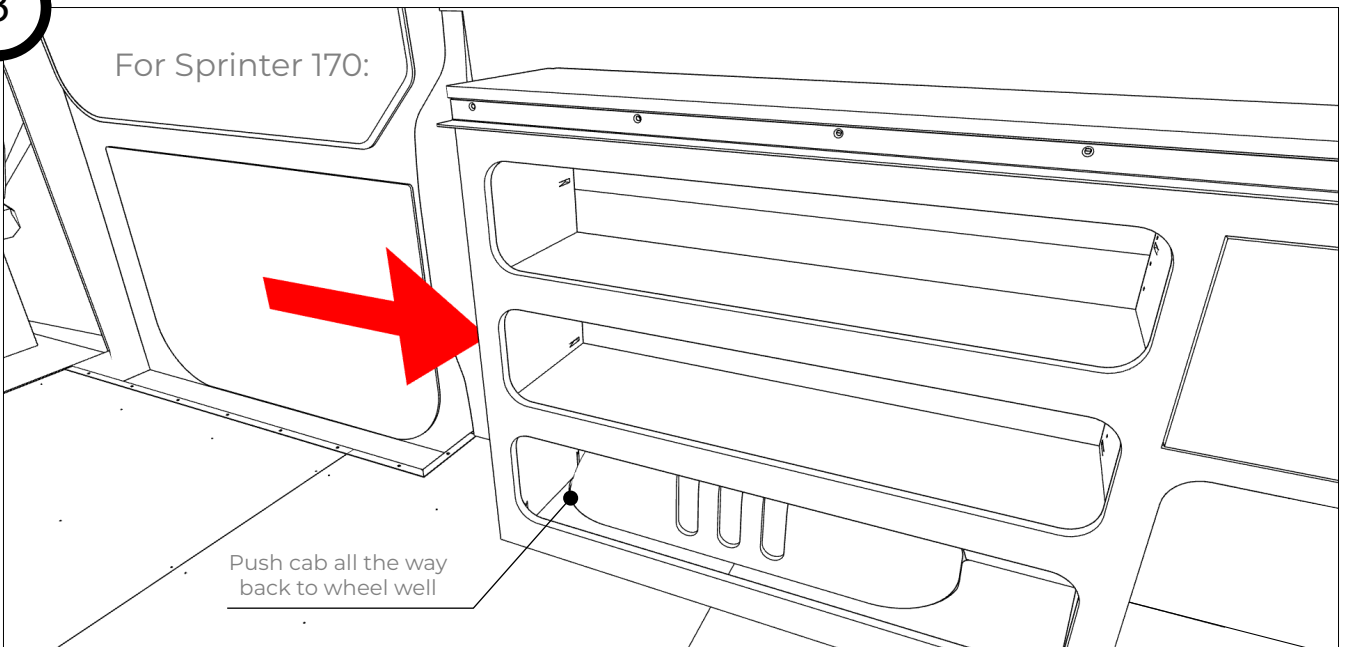
Push passenger cab all the way up to C-column



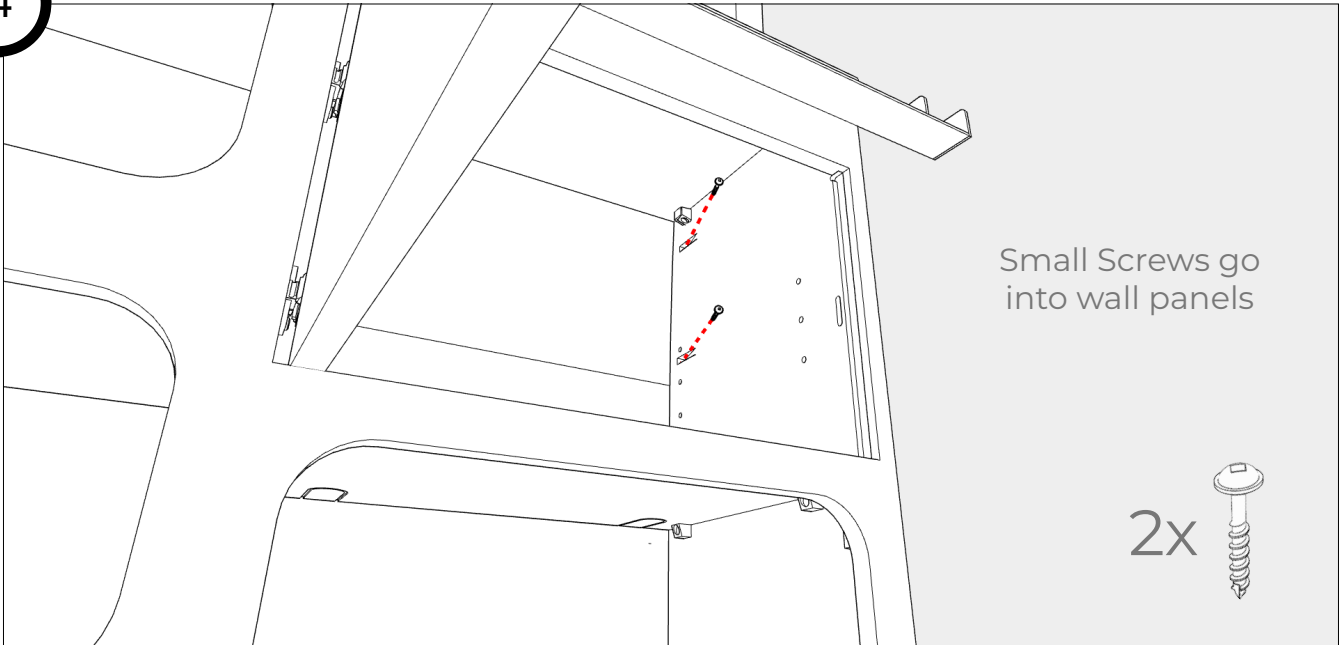
3

For Sprinter 170:

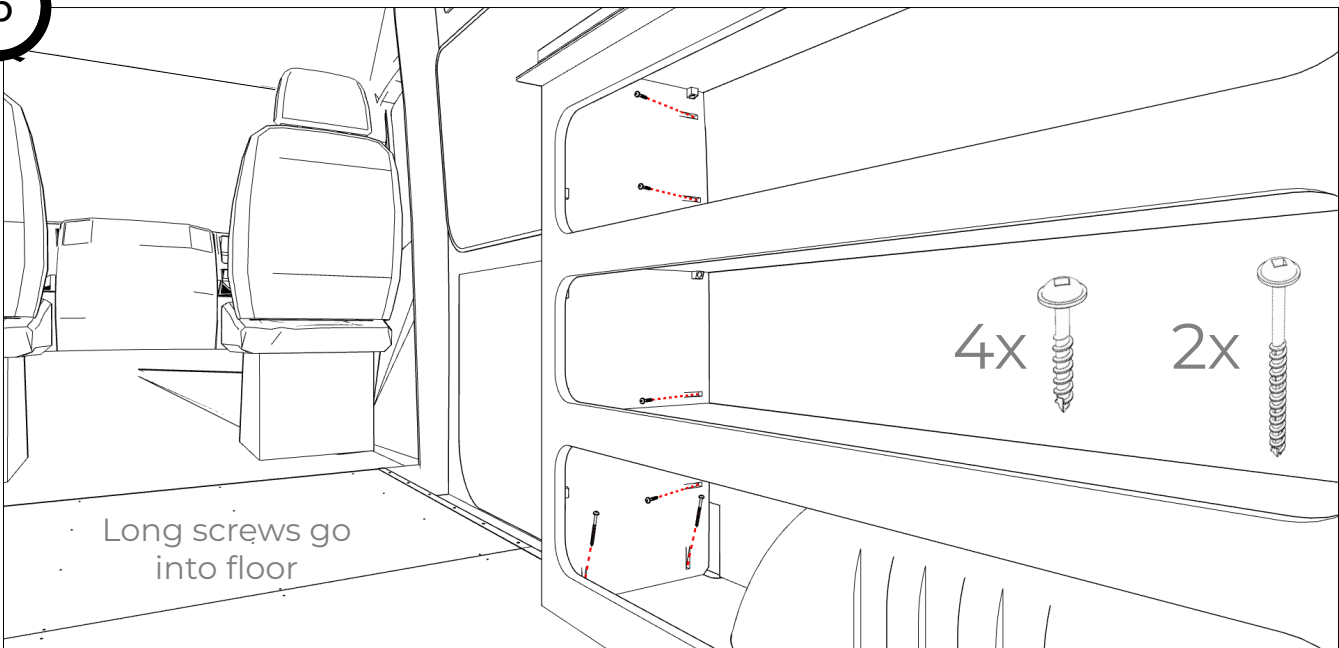
Push cab all the way back to wheel well



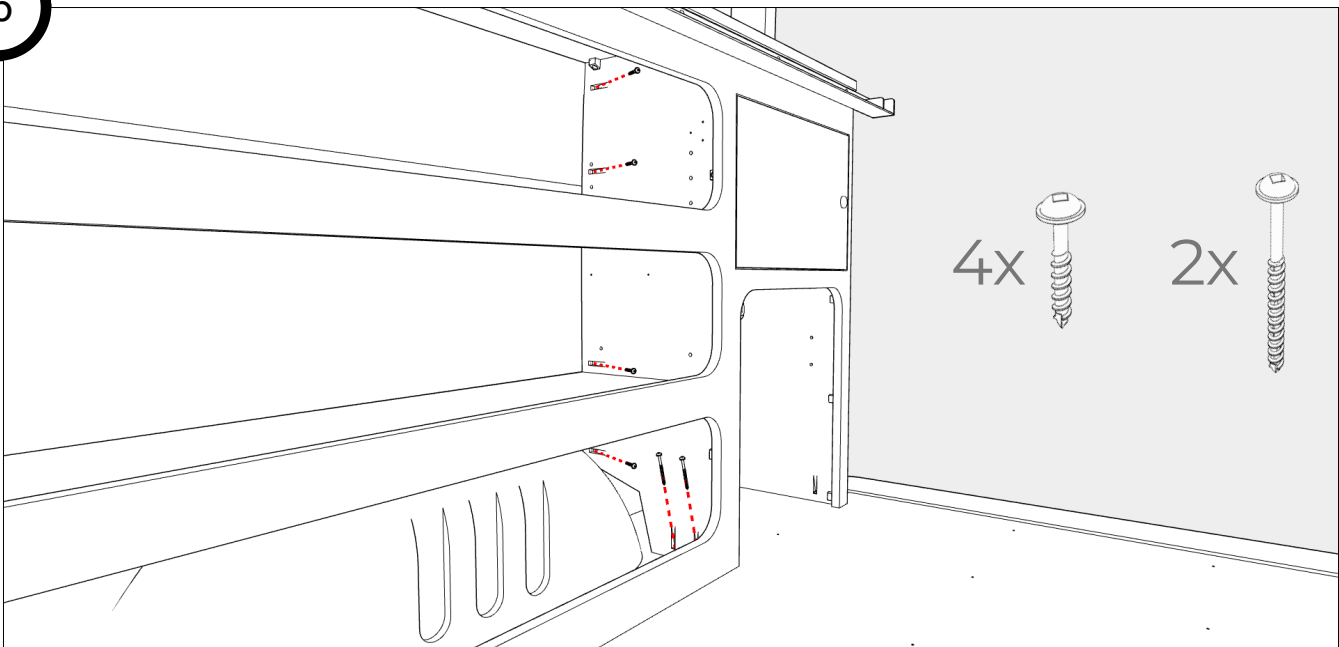
4



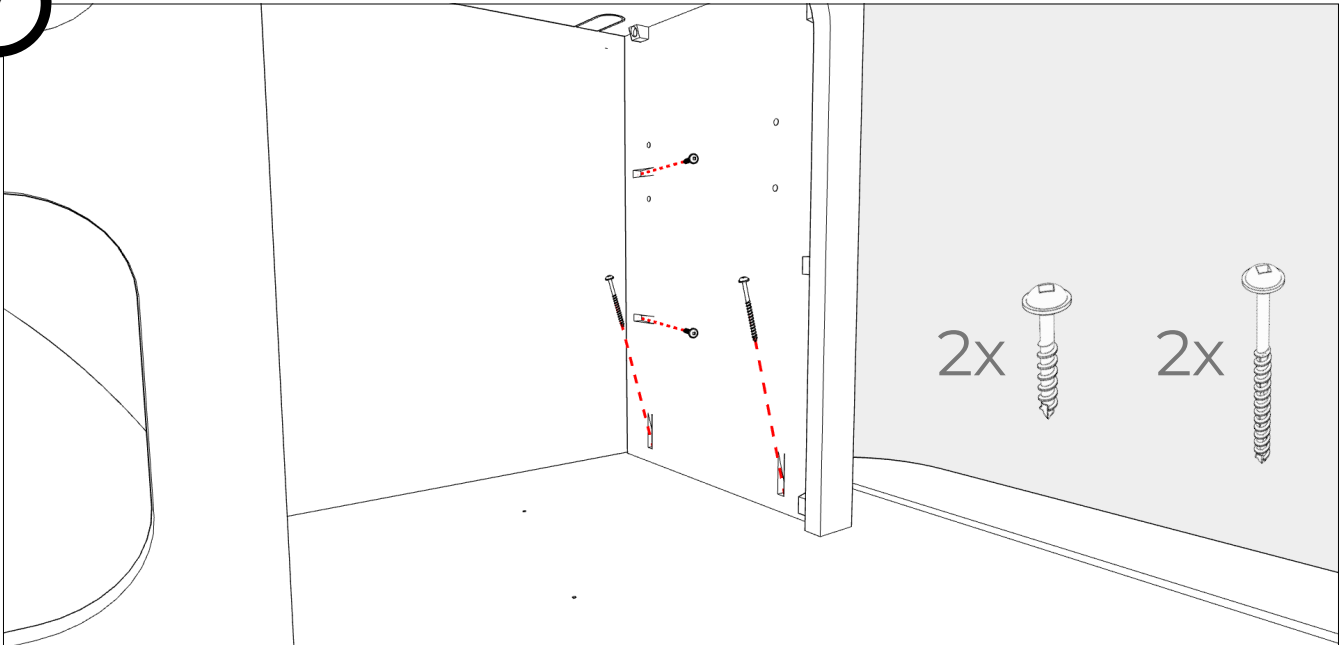
5



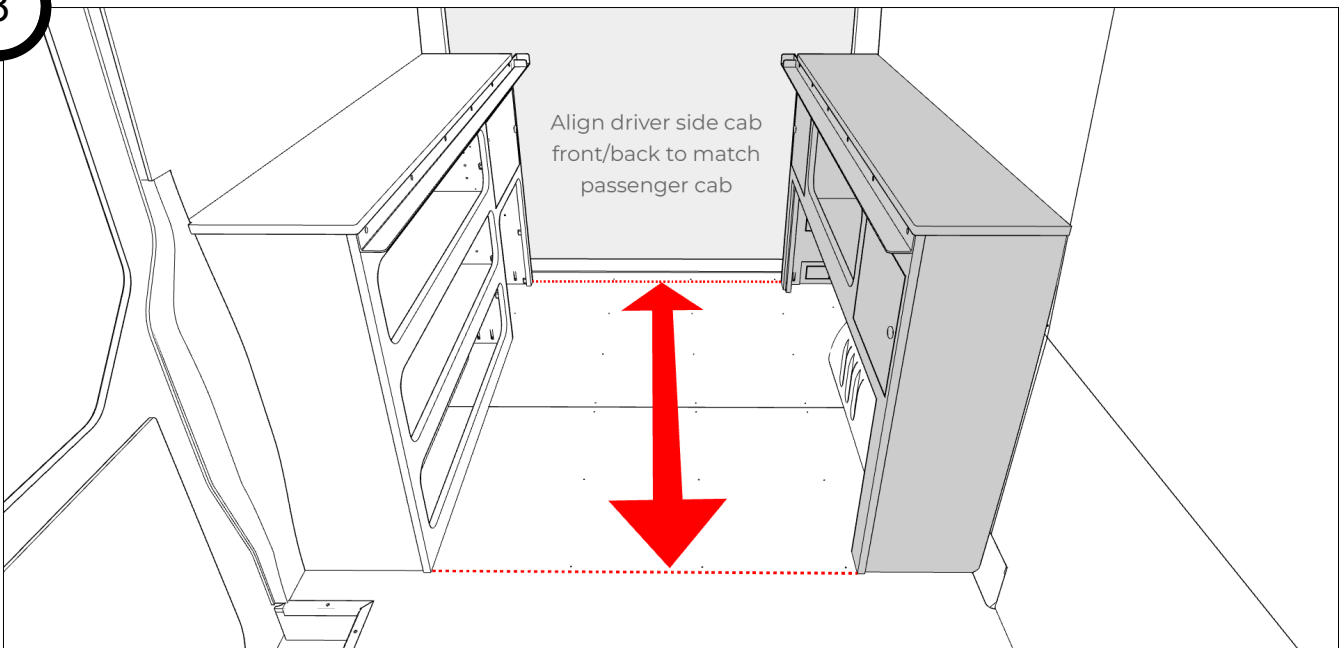
6



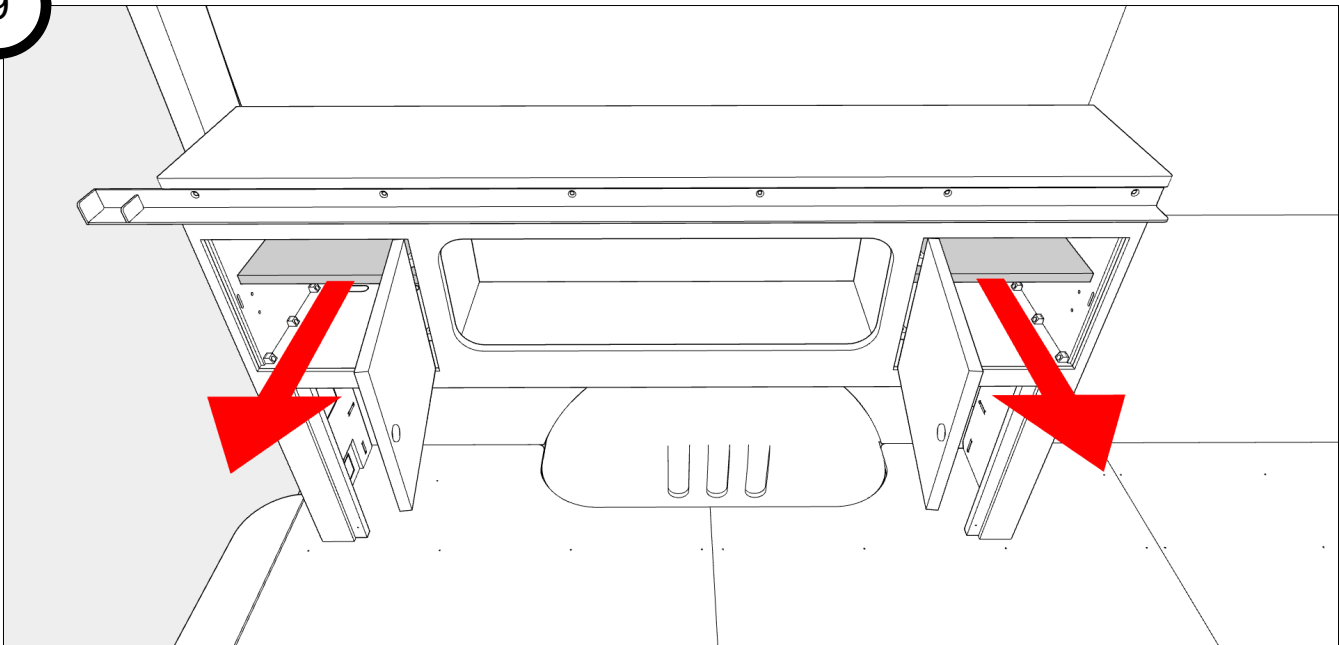
7



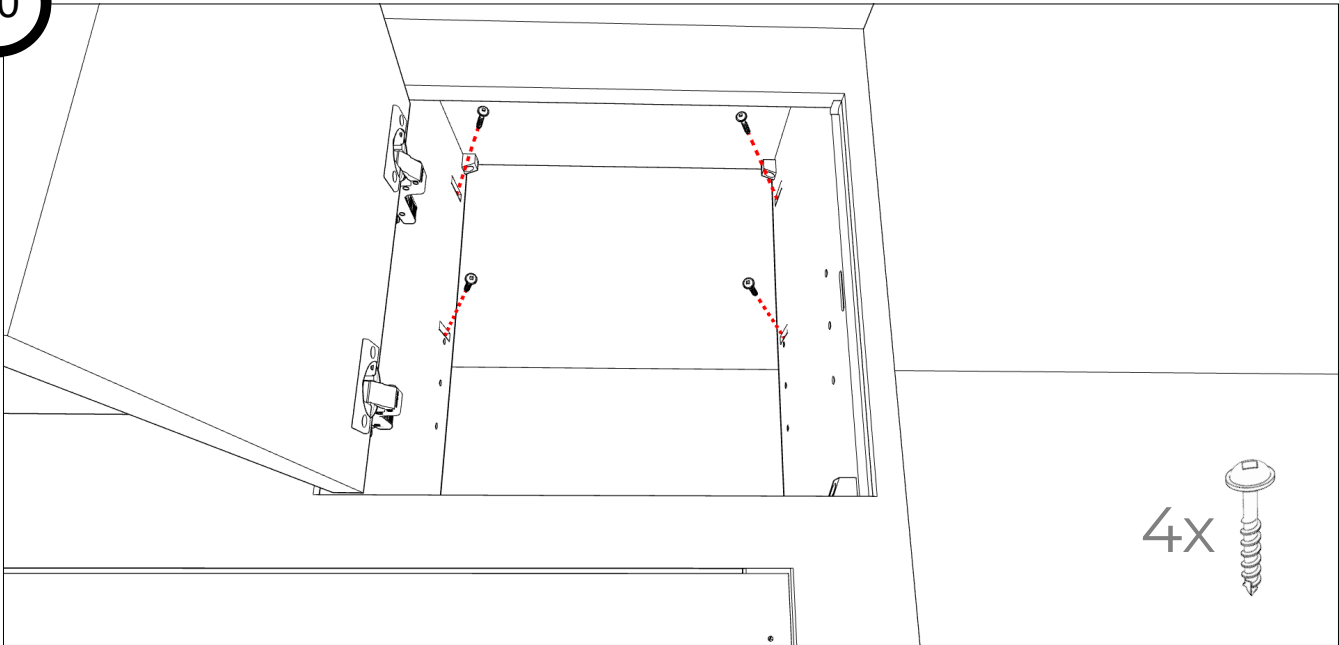
8



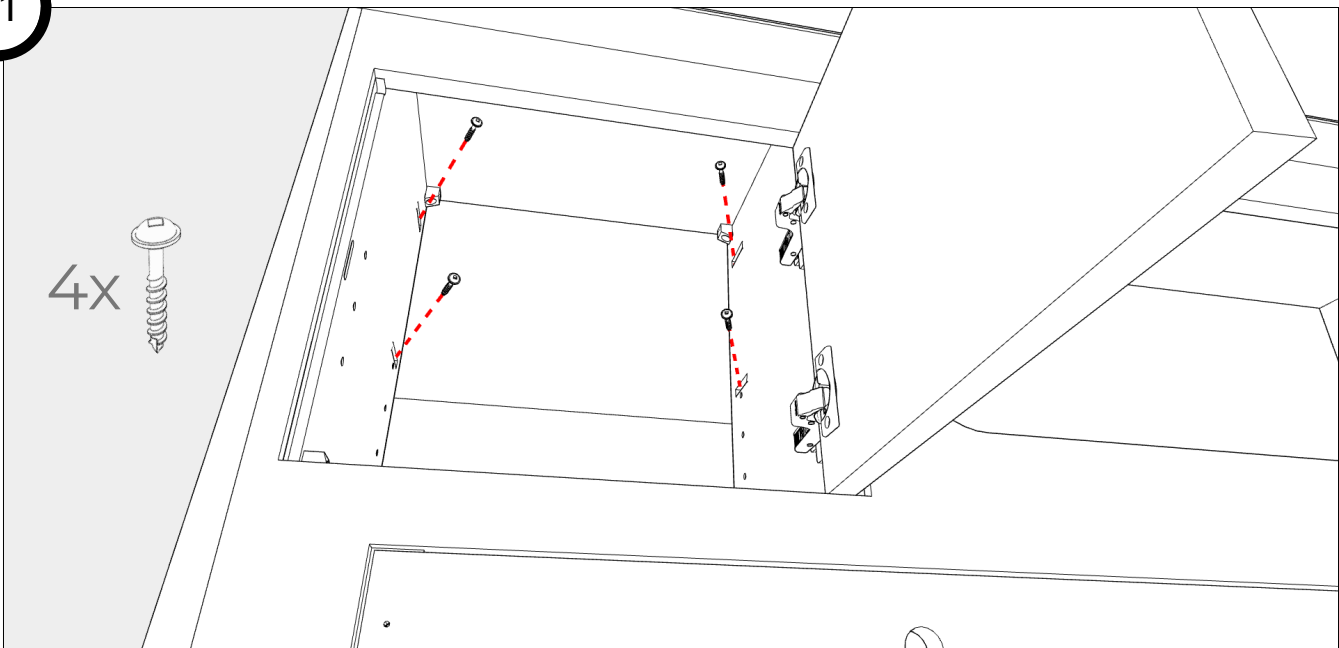
9



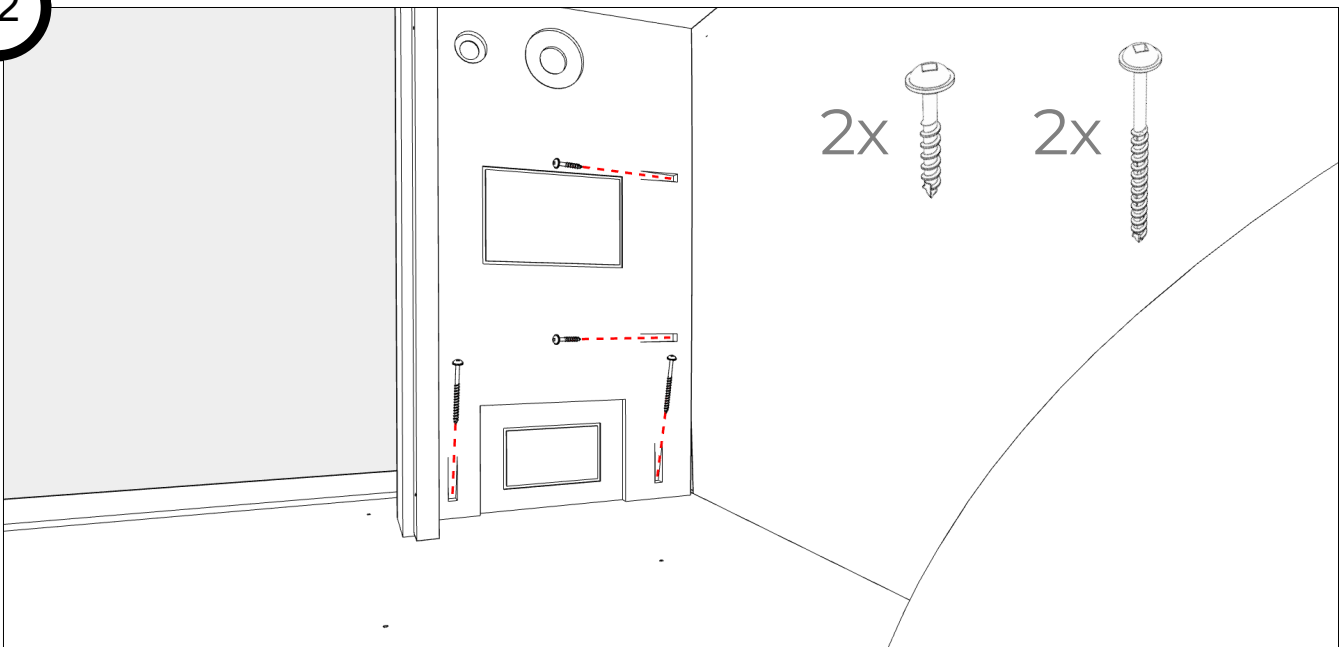
10



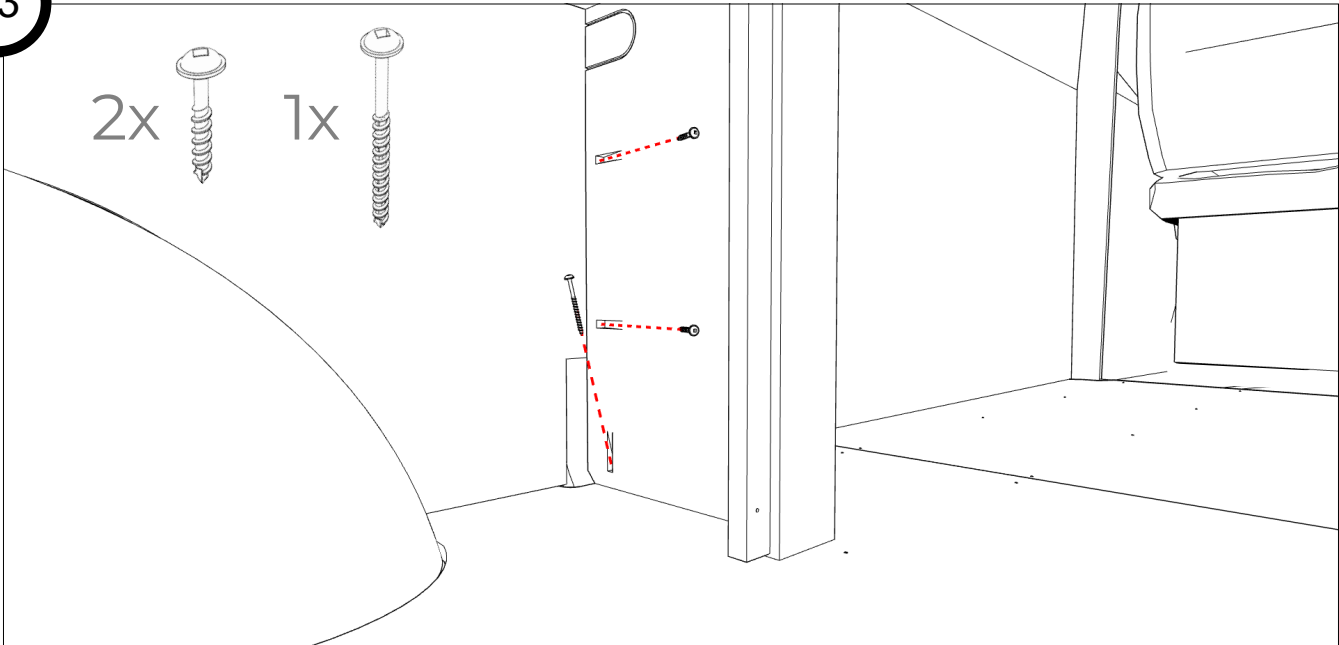
11



12



13



14

