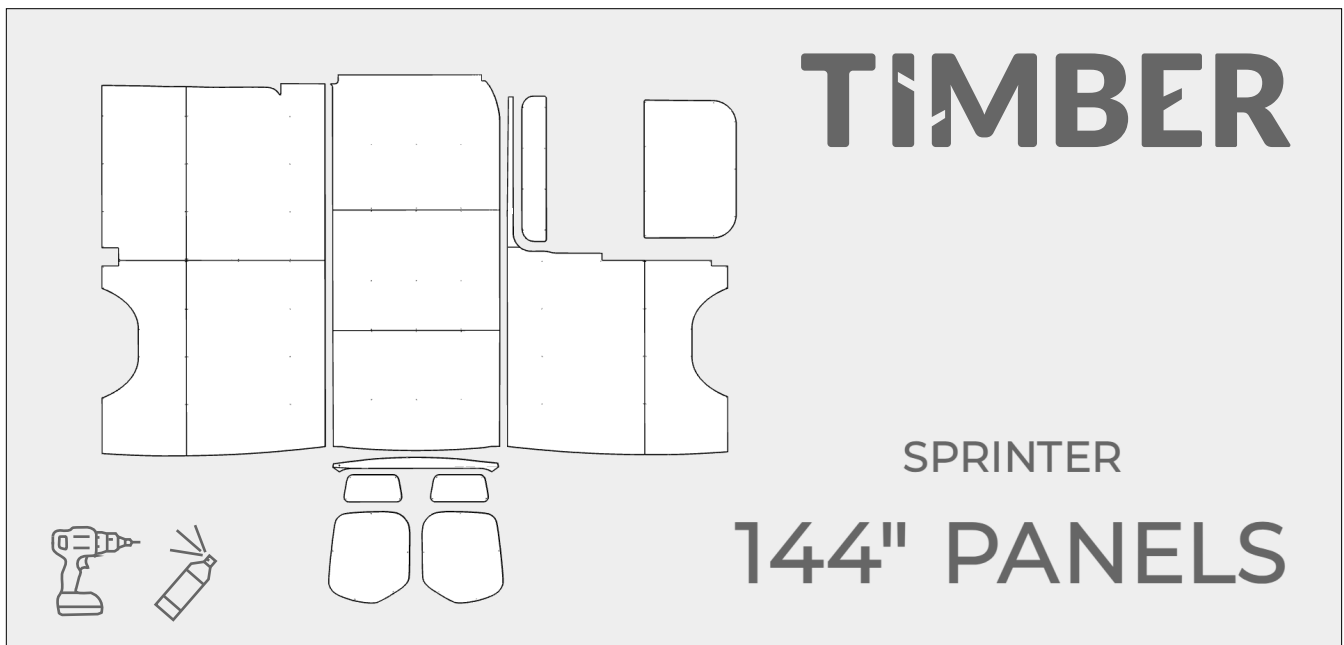


⚠ IMPORTANT SAFETY WARNING

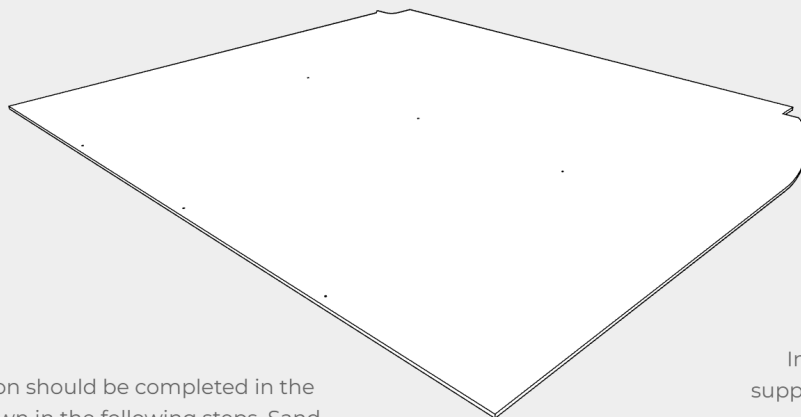
Before proceeding with the installation of your van kits, please read and understand the following safety instructions. Failure to follow these guidelines may result in personal injury, property damage, or other hazards. By installing this kit, you acknowledge and accept all associated risks.

1. This installation is intended to be completed with two people, or with the use of third-arm tools. Before starting the installation, ensure that the van is parked on a level surface.
2. Use the correct tools and equipment as specified in the instruction manual. Failure to use the proper tools may result in damage to the wood or van.
3. Ensure that the installation is properly secured to the van's interior structure. Failure to do so may result in instability and potential falling/tipping hazards while driving.

Disclaimer: This manual provides general guidelines for van installation. However, individual van configurations may vary. It is your responsibility to assess your specific situation and make informed decisions. Timber Van Kits and its affiliates cannot be held liable for any accidents, injuries, or damages resulting from improper installation, misuse, or neglect.



1

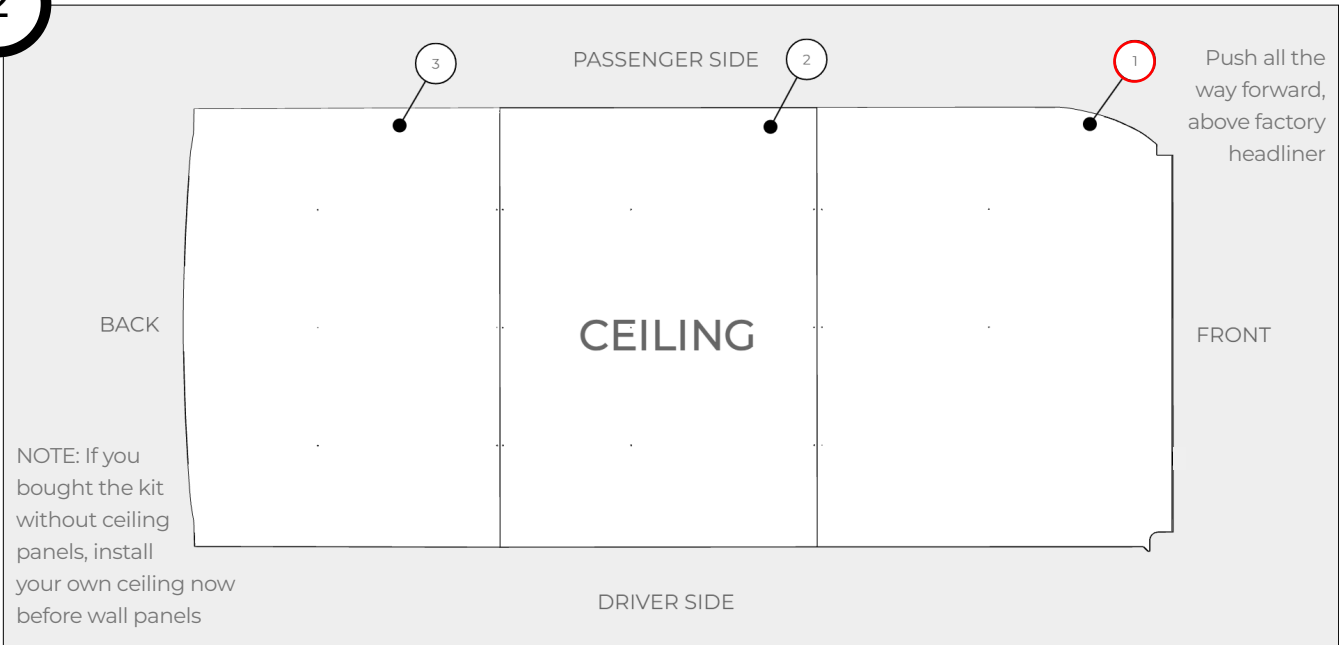


Installation should be completed in the order shown in the following steps. Sand and apply desired finish before install

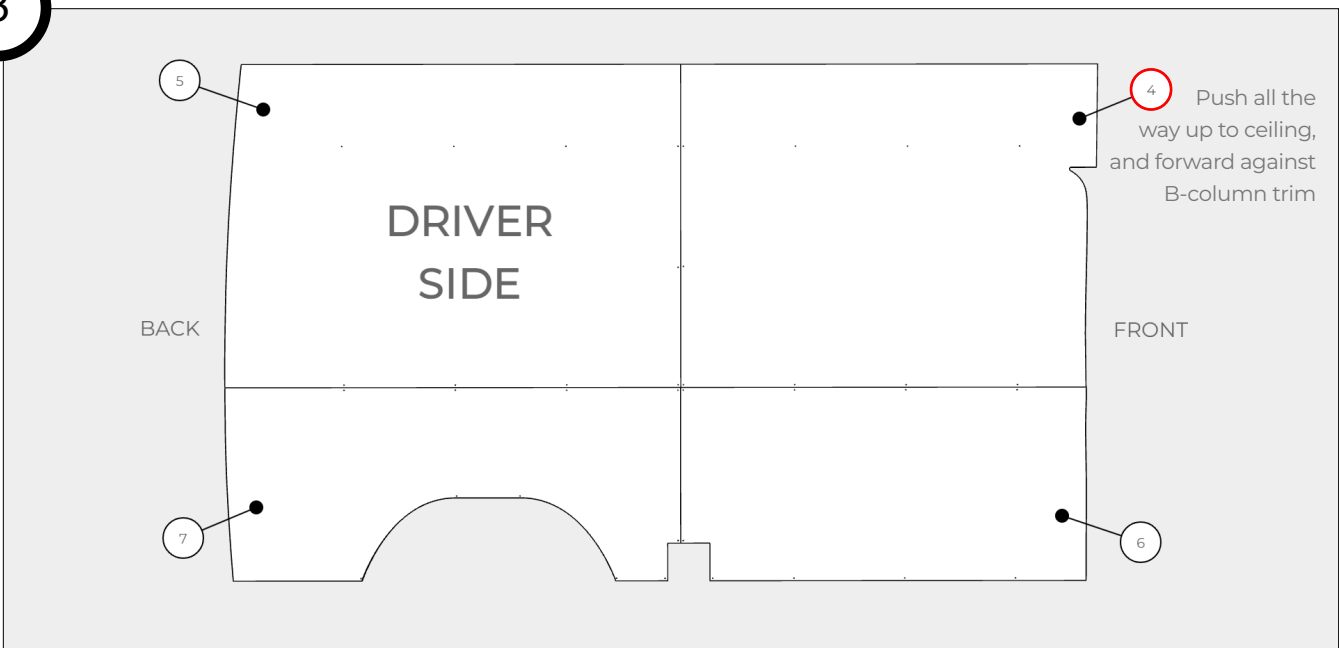
Some panels require more work to install than others, these panels will be shown in detail

Install each panel using the supplied 1" truss head self-tapping screws in the pre-drilled holes.
NOTE: Your panels may look slightly different based on the year of your van

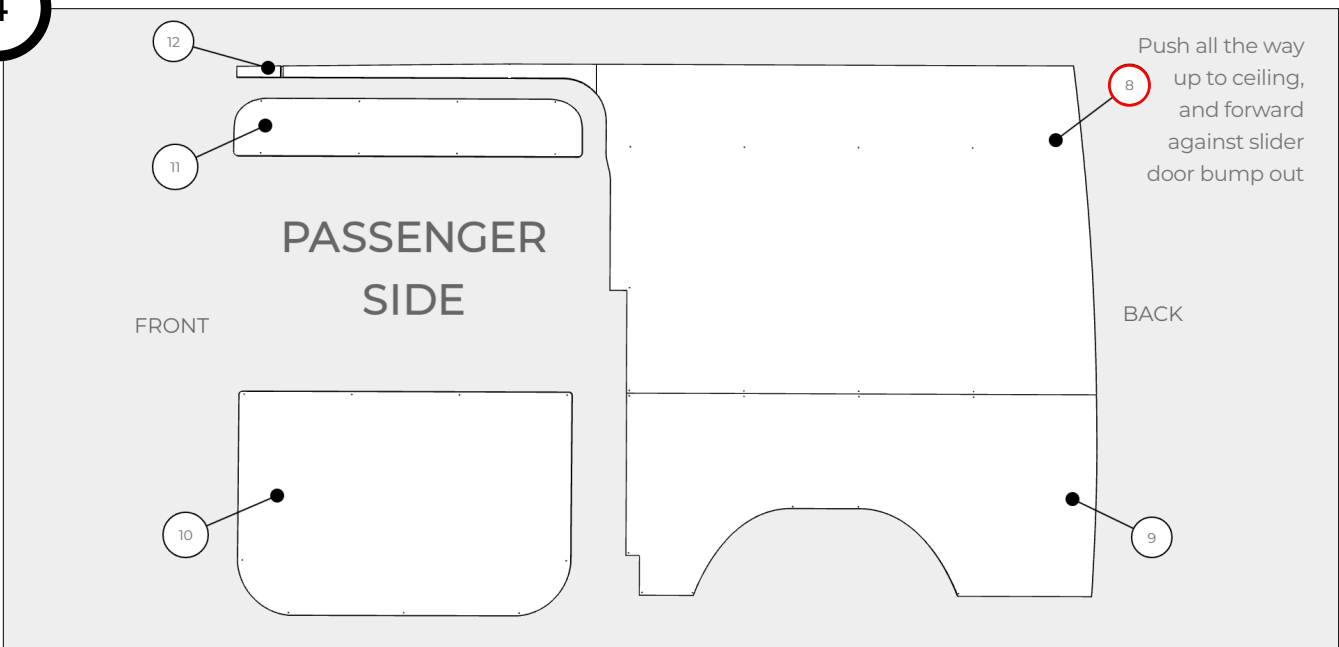
2



3

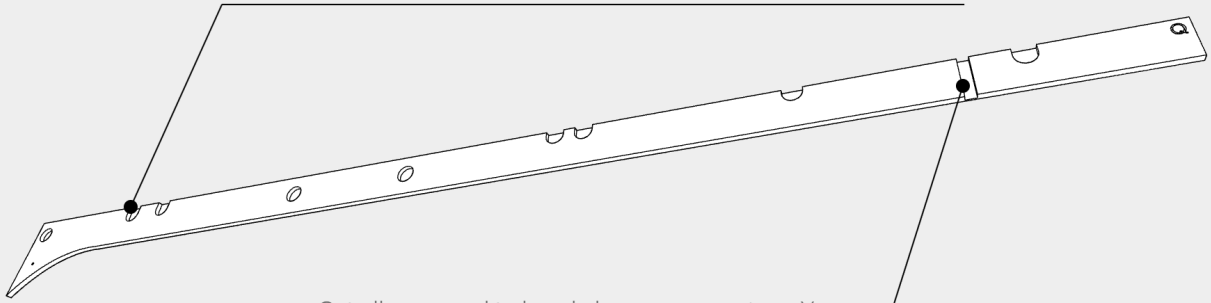


4



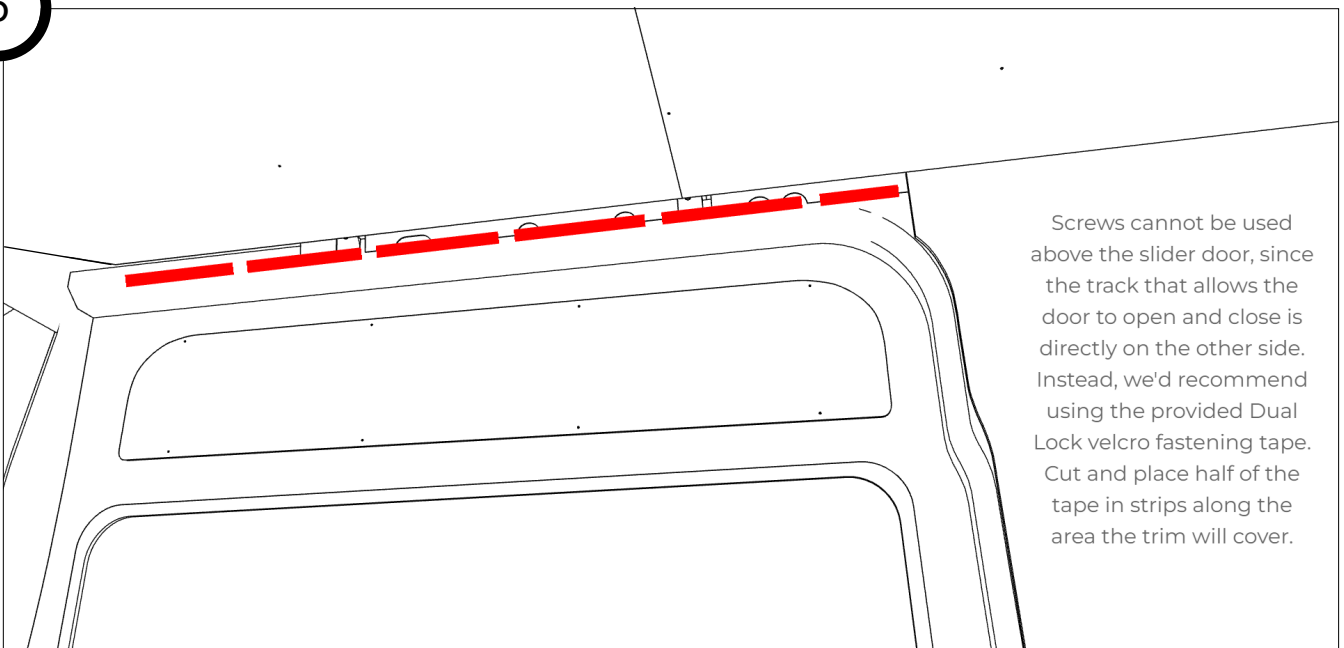
5

These cutouts make room for slider door track bolts inside the van. While not necessary, it's highly recommended you grind down the ends of these bolts to achieve the best look for this panel



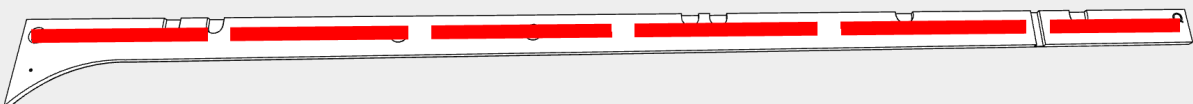
Cut allows panel to bend along van curvature. You may need to score and carefully "snap" the wood (don't break it off fully!)

6



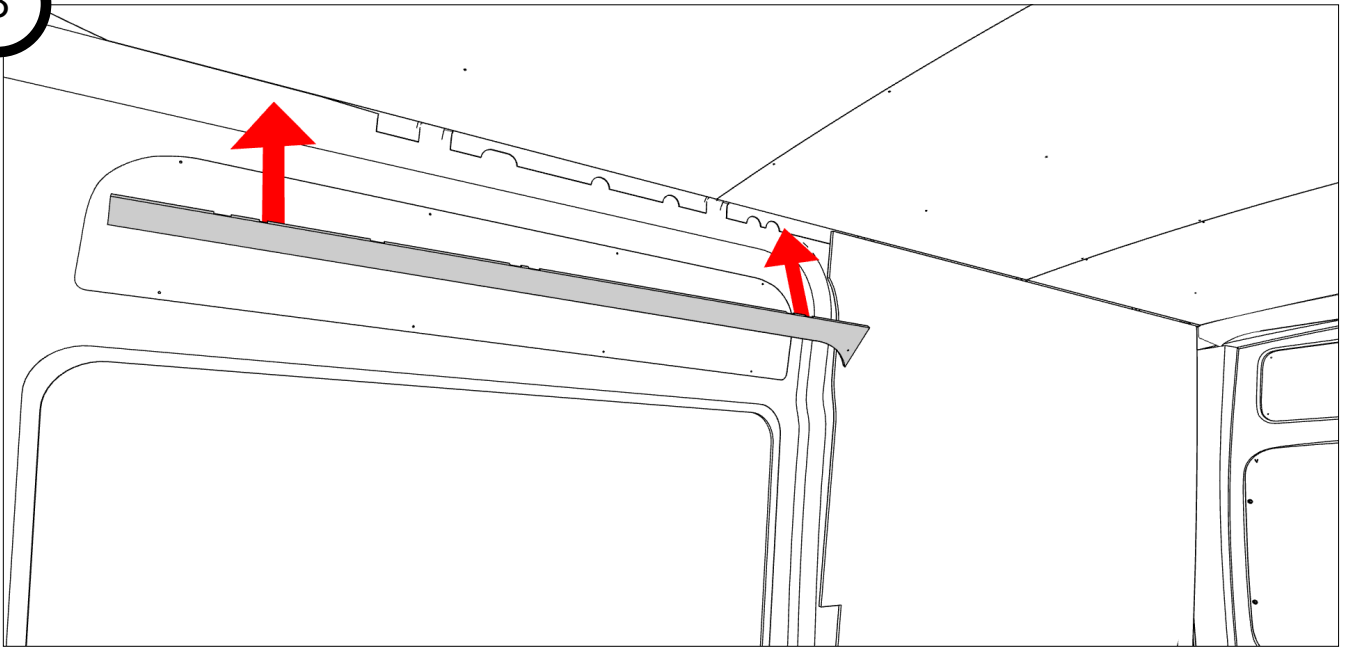
Screws cannot be used above the slider door, since the track that allows the door to open and close is directly on the other side. Instead, we'd recommend using the provided Dual Lock velcro fastening tape. Cut and place half of the tape in strips along the area the trim will cover.

7

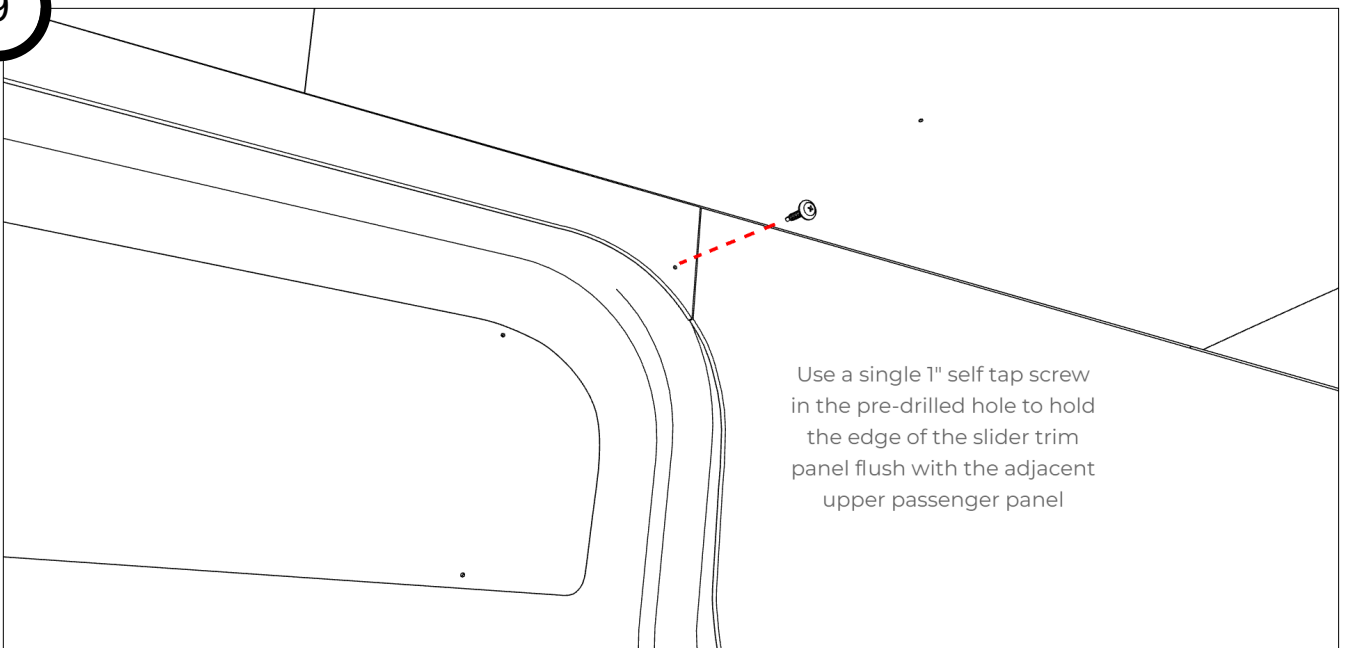


Dual Lock will not stick permanently to plywood out of the box. Spray the entire back side of the upper slider door trim with contact adhesive, then apply the other half of the Dual Lock to match the spots you put in the van.

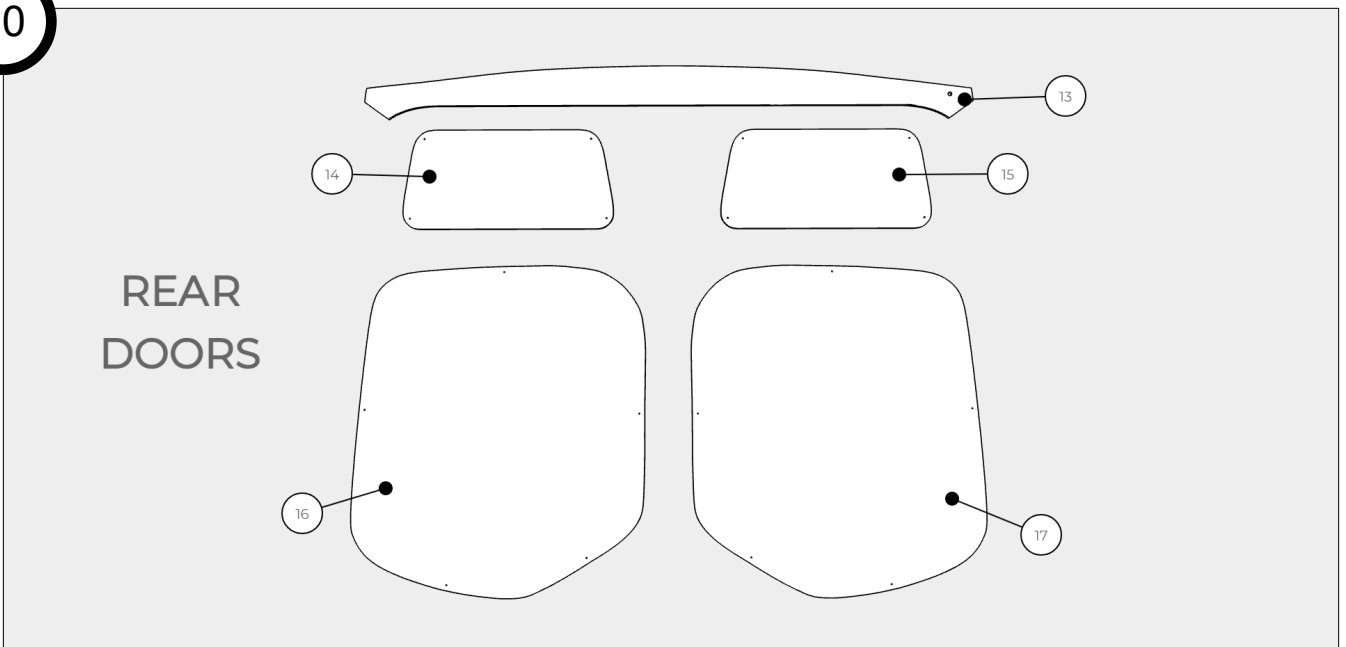
8



9



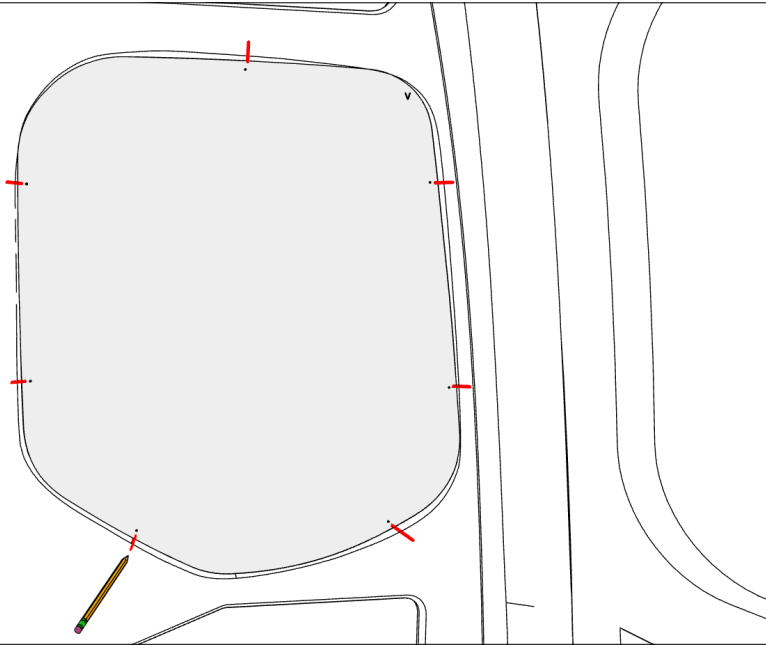
10



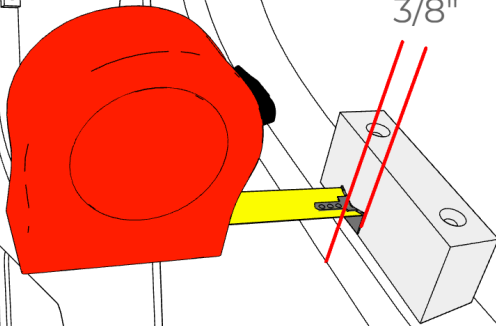
11

If your van has rear door windows you can skip installing the rear window panels. Otherwise, follow these steps.

Hold the panels up so they sit nicely in the contour, then make small marks on the van metal at the predrill locations. These locations will be where you need to install furring blocks.

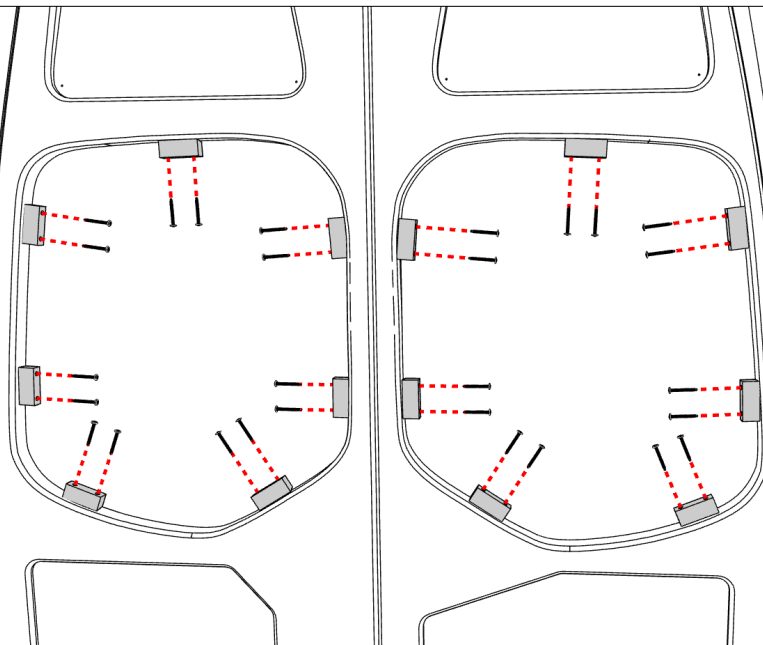


12



Angled furring blocks allow the rear window panels to be spaced flush with the van metal, and also creates a gap for insulation to be placed behind. Measure and mark about 3/8 inch spacing from the outside in so you will know where to position the block when fastening. Repeat for all furring blocks.

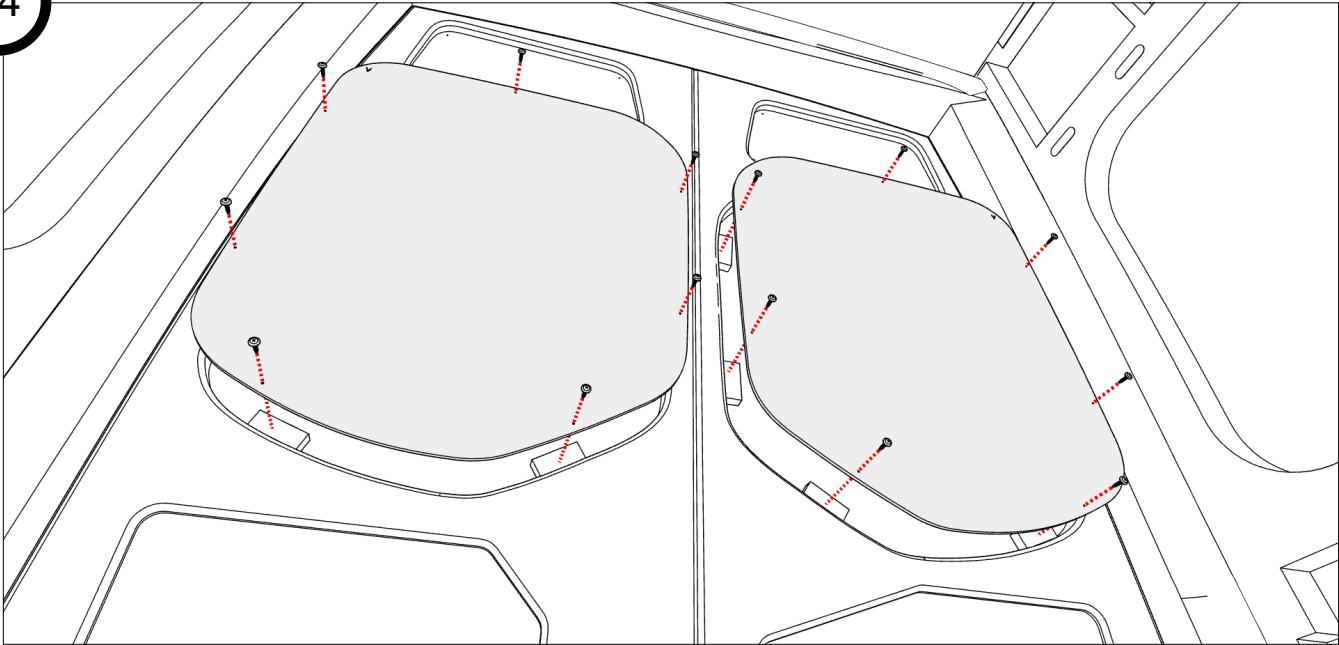
13



Make sure the angled edge of the blocks are against the van metal



x28
FAS049



TIMBER

Panel Installation Complete
Congratulations!



We'd love to see your finished wood panels in their new home! Share your photos on social media using the hashtag #TimberVanKits, and don't forget to tag us. Your creations inspire us, and we believe they will inspire others too.

Thank you once again for choosing Timber Van Kits. Your dedication and craftsmanship have brought our product to life, and we look forward to being a part of your future adventures!

[TIMBERVANKITS.COM](https://www.timbervankits.com) • 720-282-5075

Have a question or issues with your product? Feel free to call us or send a message via the [contact page](#) on our website. If you call us and we can't get to the phone please leave us a message and we'll get back to you as soon as we can.

 [facebook.com/timbervankits](https://www.facebook.com/timbervankits)

 [instagram.com/timbervankits](https://www.instagram.com/timbervankits)