

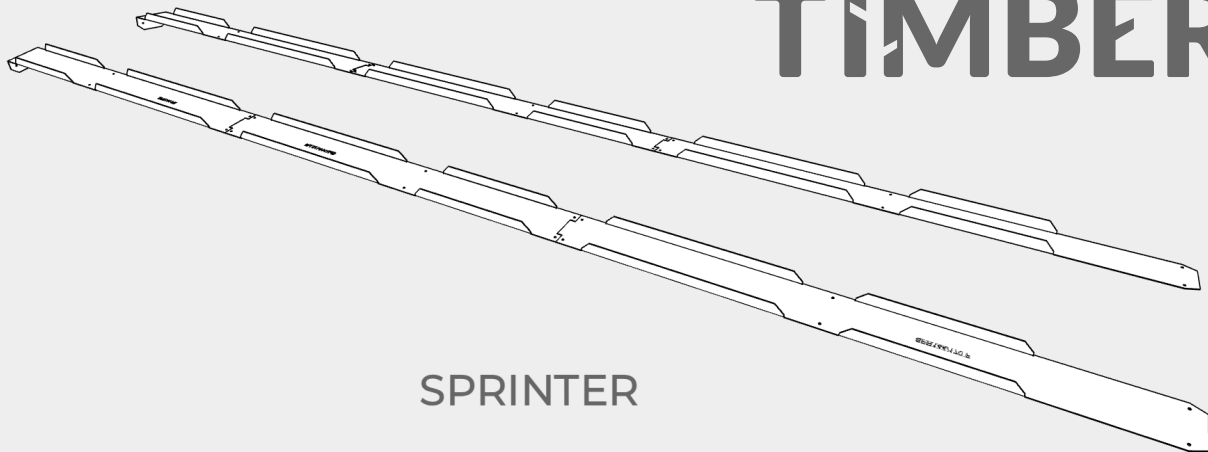
IMPORTANT SAFETY WARNING

Before proceeding with the installation of your van kits, please read and understand the following safety instructions. Failure to follow these guidelines may result in personal injury, property damage, or other hazards. By installing this kit, you acknowledge and accept all associated risks.

1. This installation is intended to be completed with two people, or with the use of third-arm tools. Before starting the installation, ensure that the van is parked on a level surface.
2. Use the correct tools and equipment as specified in the instruction manual. Failure to use the proper tools may result in damage to the wood or van.
3. Ensure that the installation is properly secured to the van's interior structure. Failure to do so may result in instability and potential falling/tipping hazards while driving.

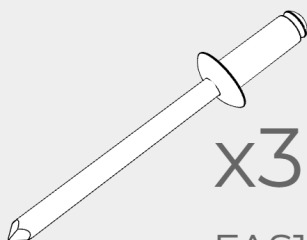
Disclaimer: This manual provides general guidelines for van installation. However, individual van configurations may vary. It is your responsibility to assess your specific situation and make informed decisions. Timber Van Kits and its affiliates cannot be held liable for any accidents, injuries, or damages resulting from improper installation, misuse, or neglect.

TIMBER



SPRINTER

OVERHEAD STRUCTURE



x36

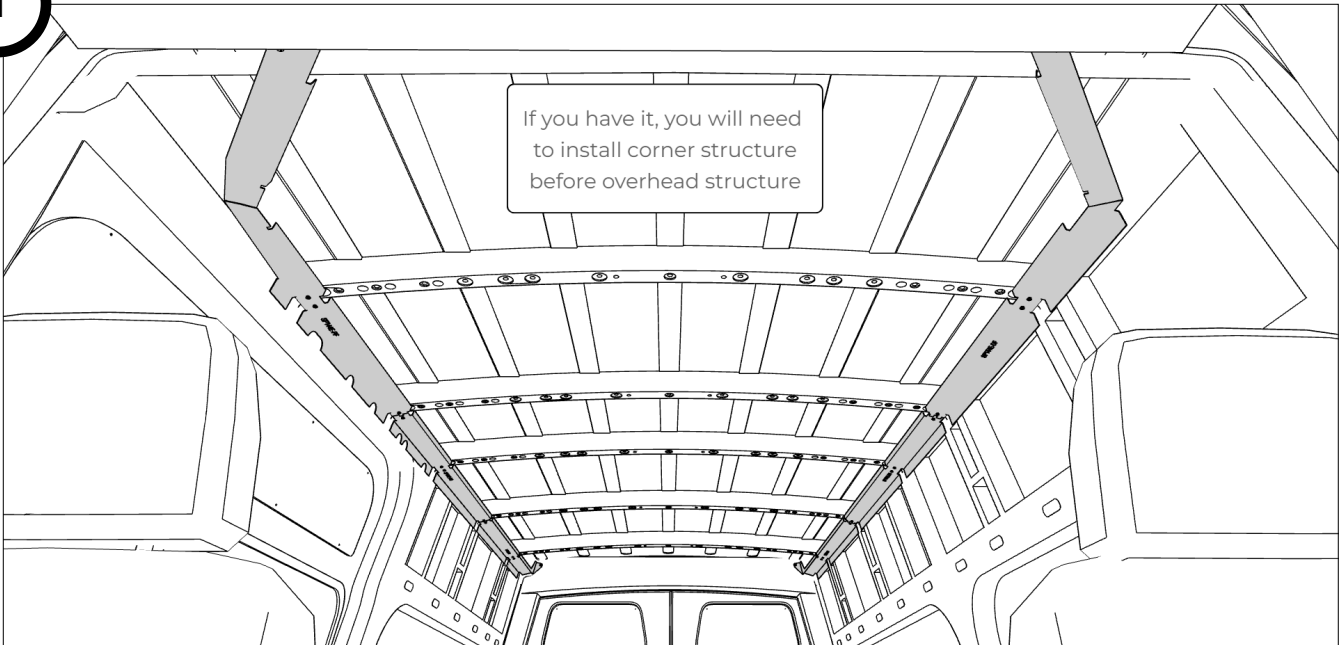
FAS123



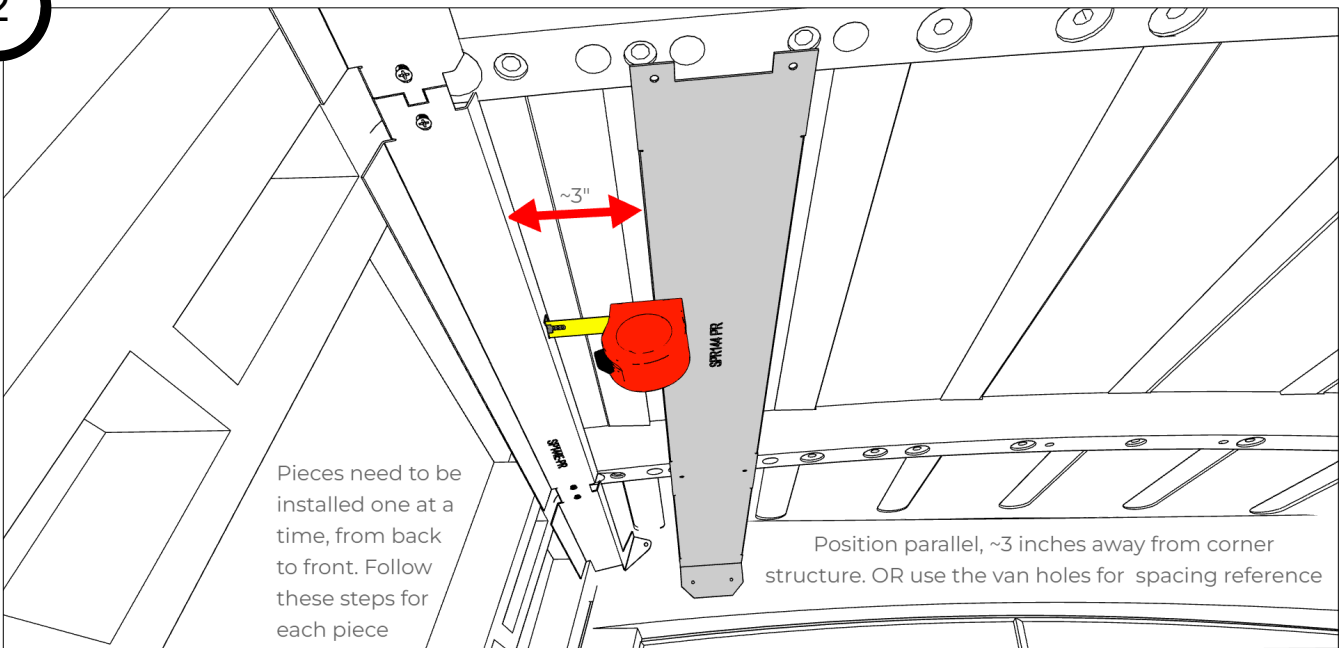
x6

FAS302

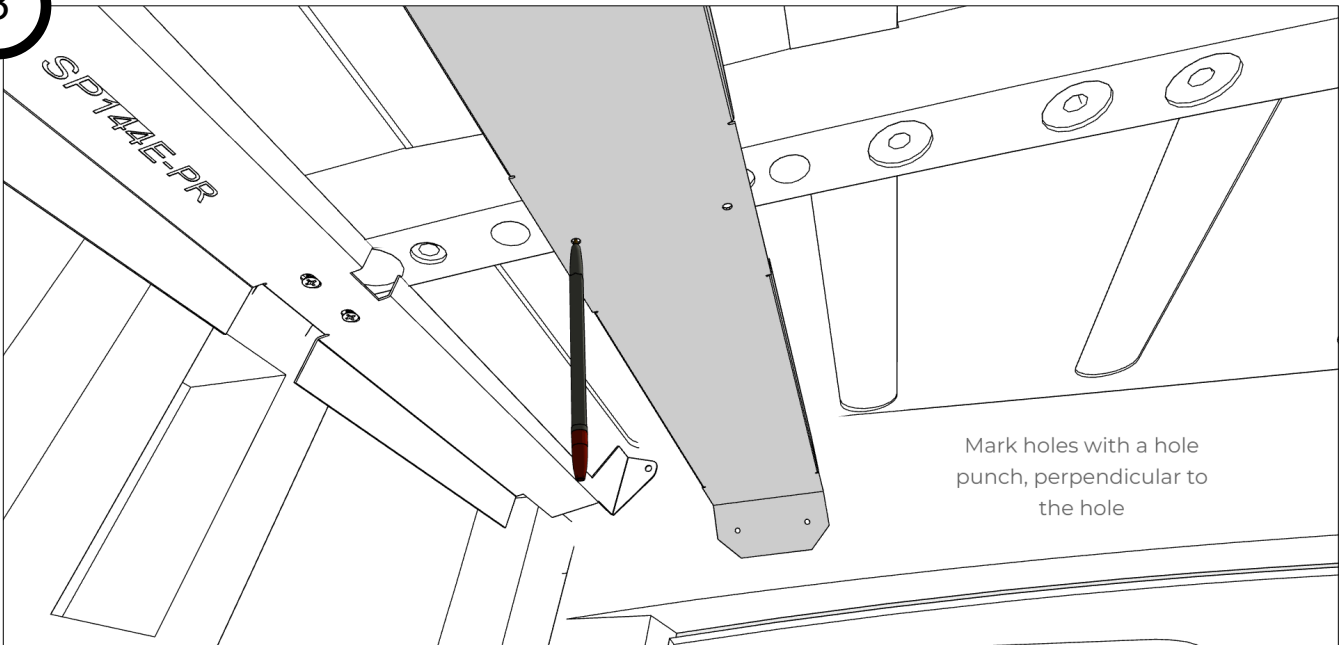
1



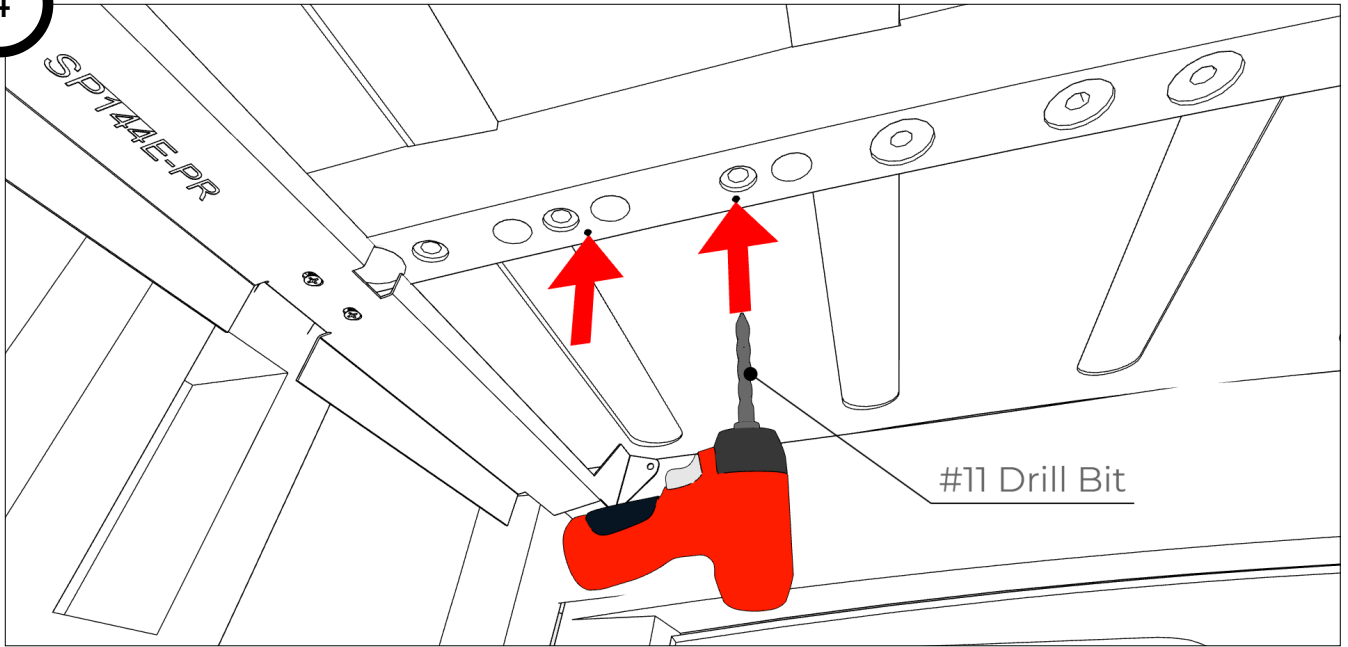
2



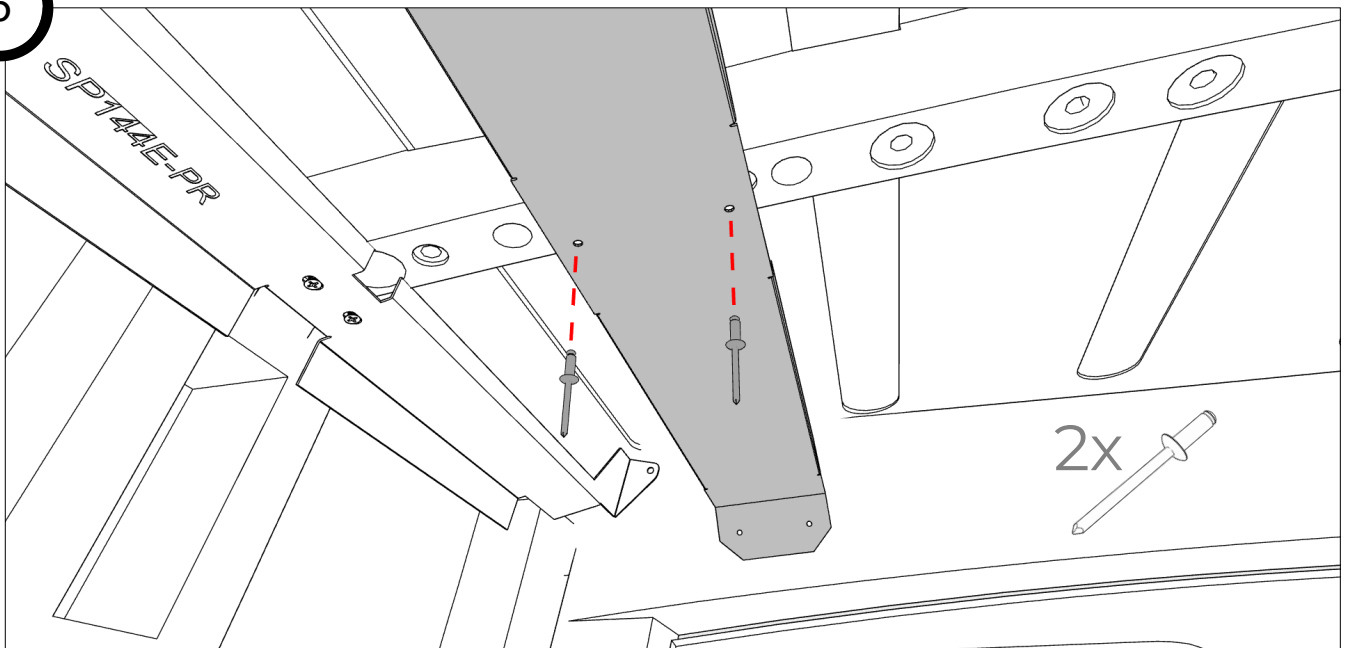
3



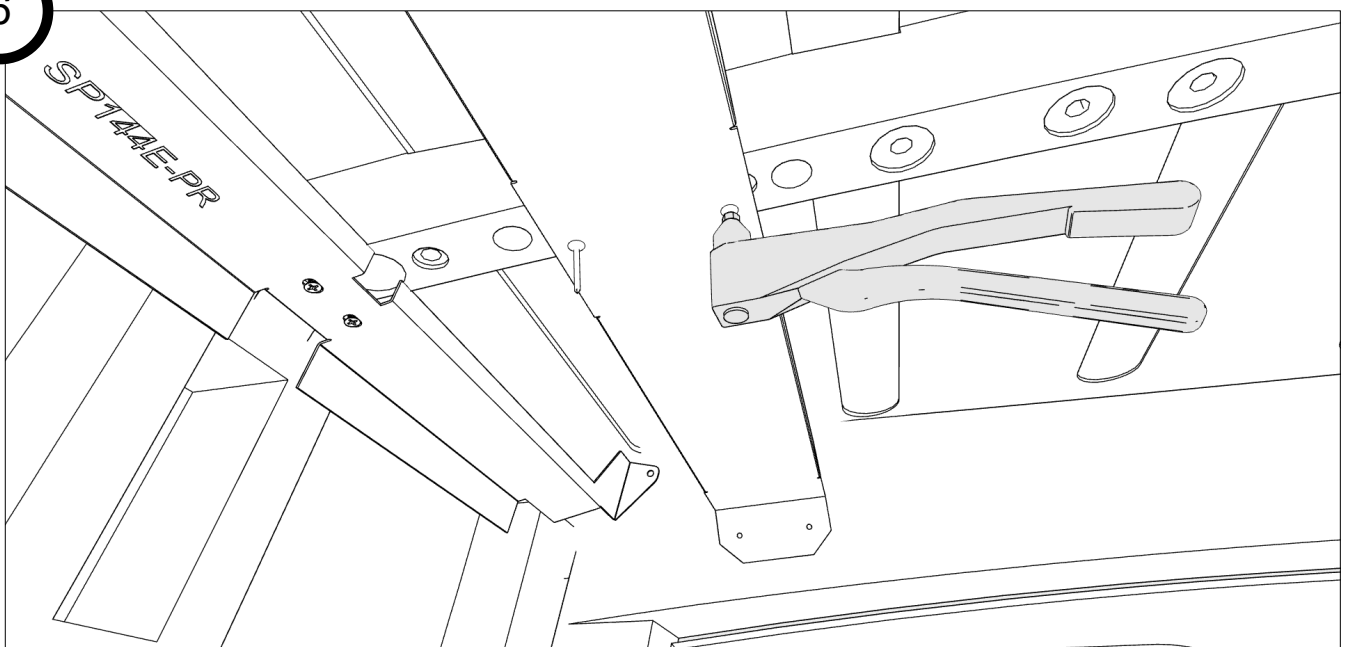
4



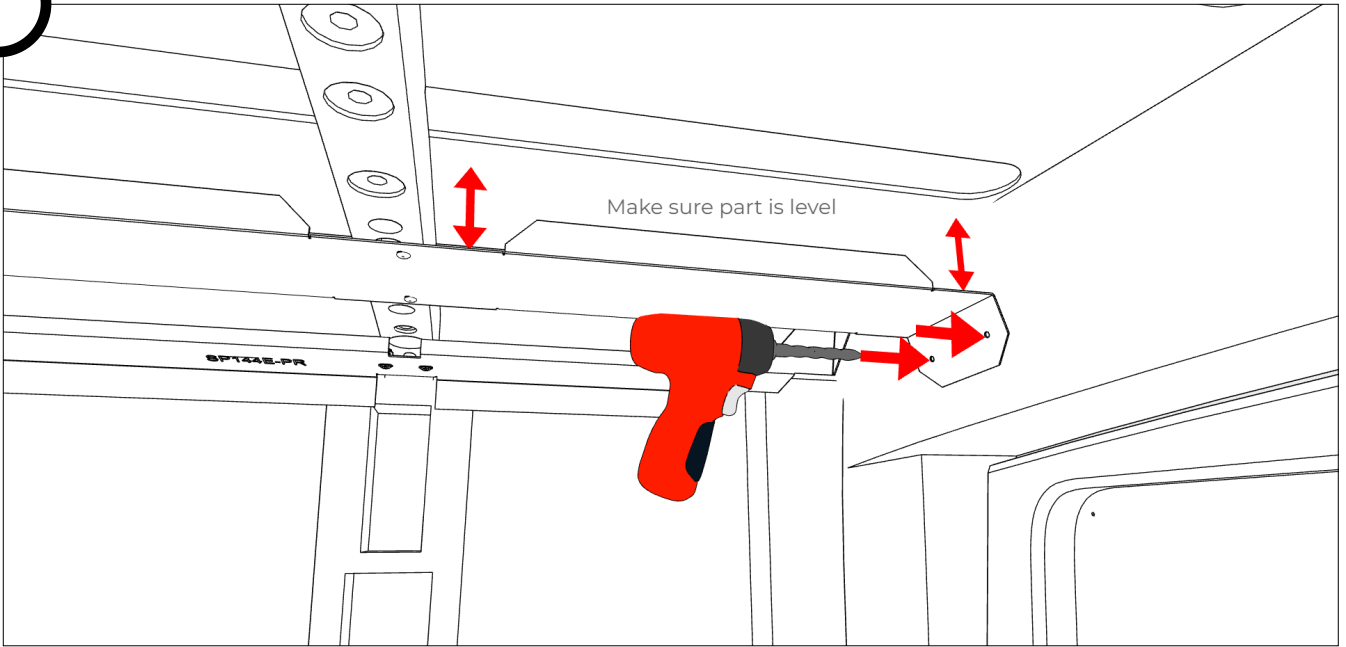
5



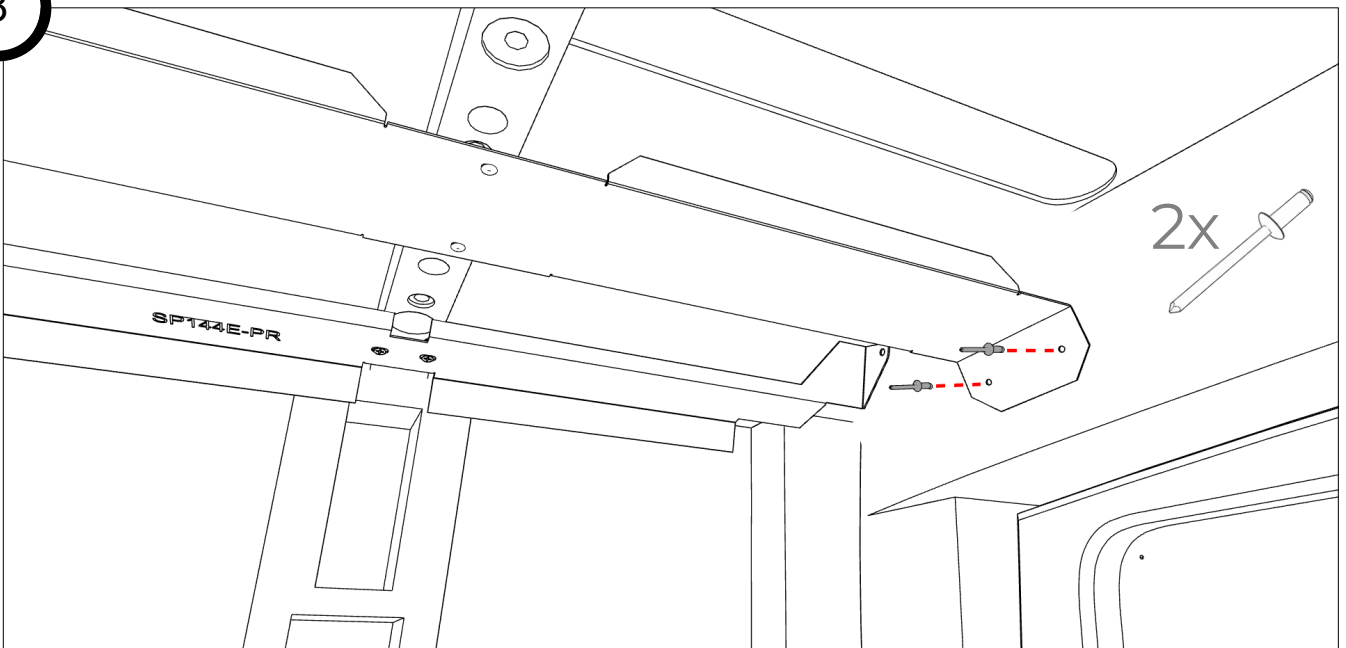
6



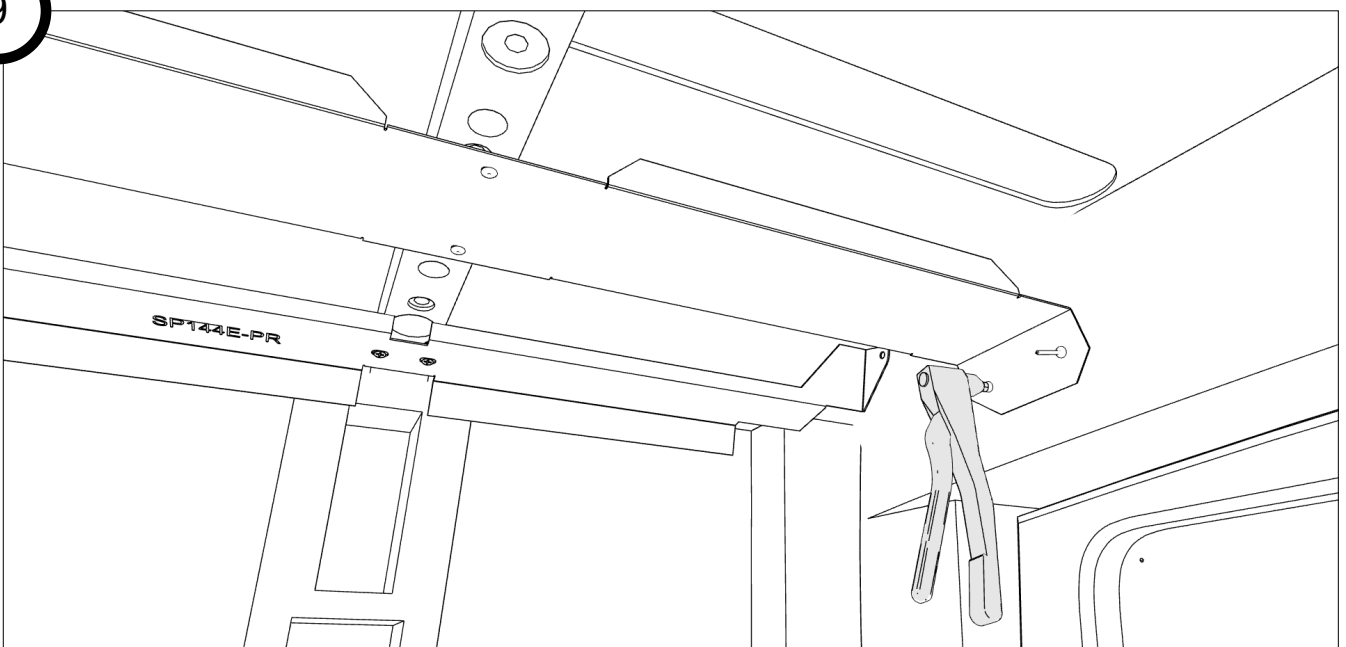
7



8



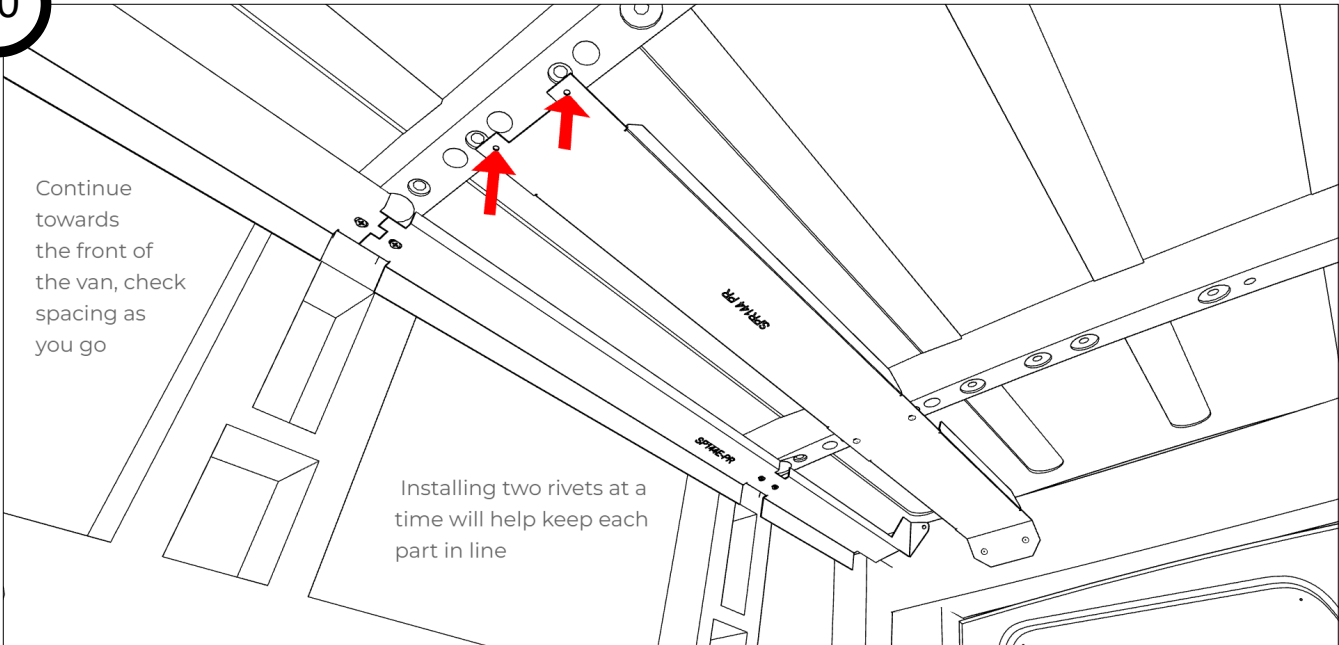
9



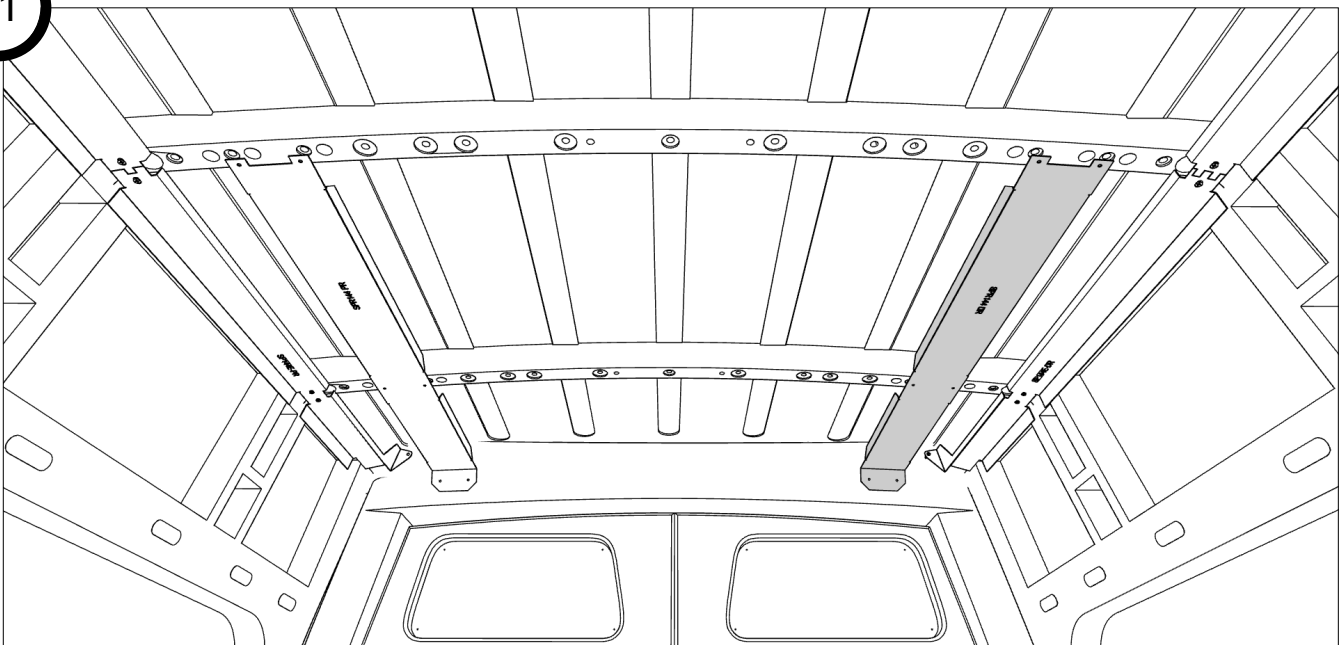
10

Continue towards the front of the van, check spacing as you go

Installing two rivets at a time will help keep each part in line

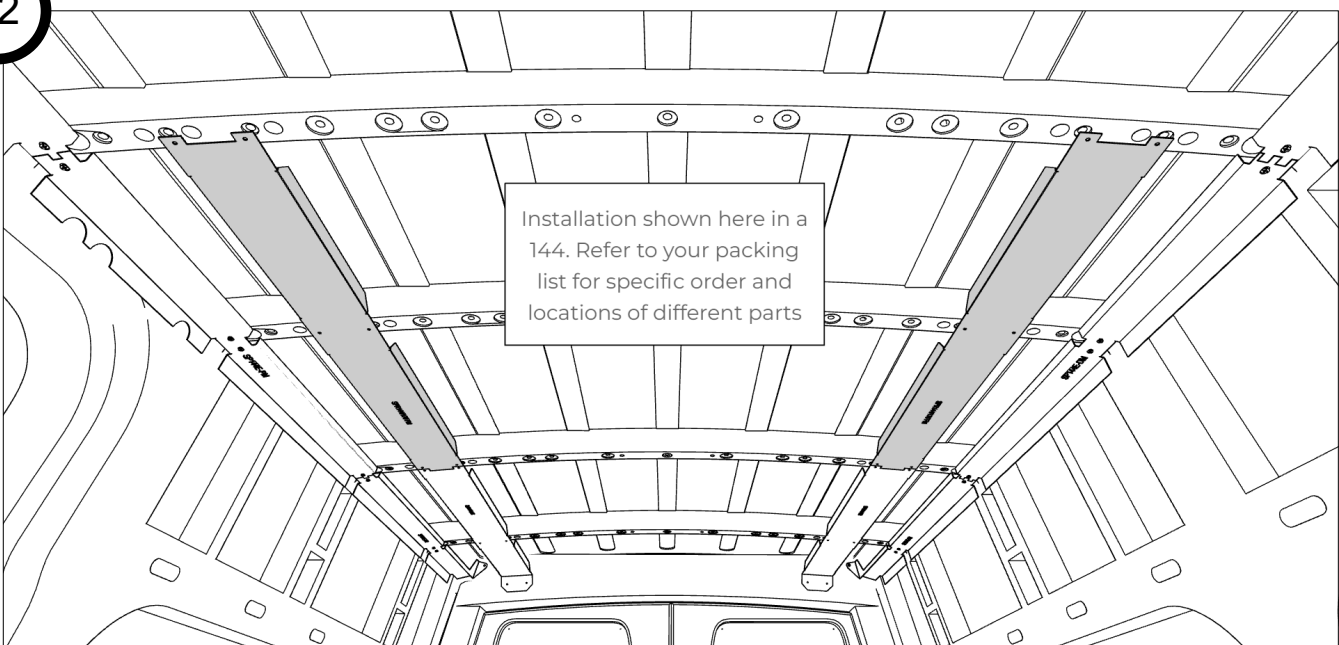


11

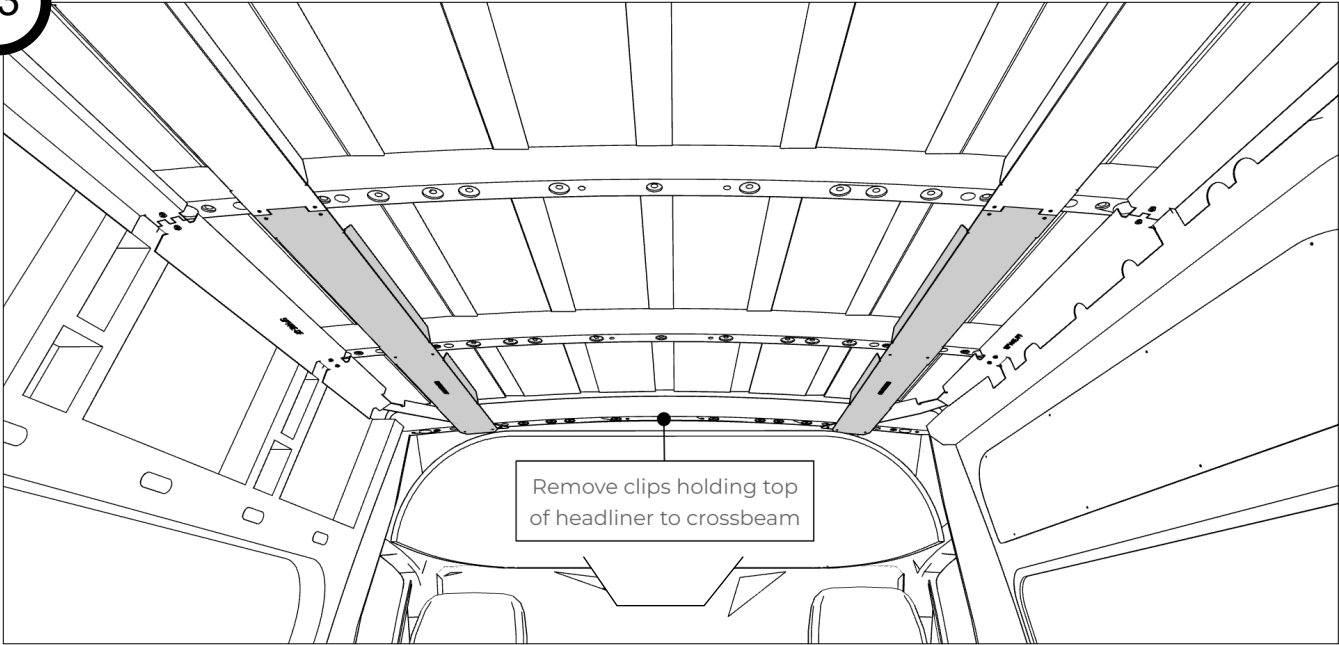


12

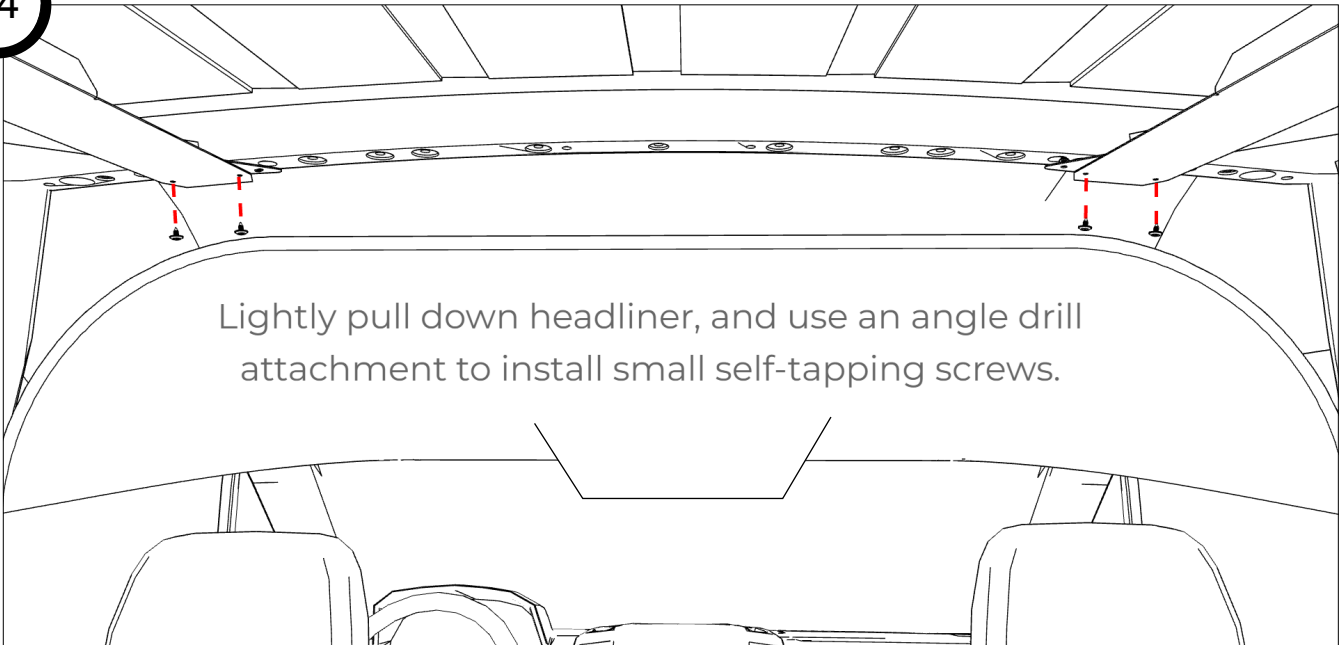
Installation shown here in a 144. Refer to your packing list for specific order and locations of different parts



13



14



TIMBER

Structure Installation Complete
Congratulations!



Remember, your journey doesn't end here. We encourage you to explore our panels kits and overhead cabinets that integrate seamlessly with your new structural.

Thank you once again for choosing Timber Van Kits. Your dedication and craftsmanship have brought our product to life, and we look forward to being a part of your future adventures!

[TIMBERVANKITS.COM](https://www.timbervankits.com) • 720-282-5075

Have a question or issues with your product? Feel free to call us or send a message via the [contact page](#) on our website. If you call us and we can't get to the phone please leave us a message and we'll get back to you as soon as we can.

 [facebook.com/timbervankits](https://www.facebook.com/timbervankits)

 [instagram.com/timbervankits](https://www.instagram.com/timbervankits)